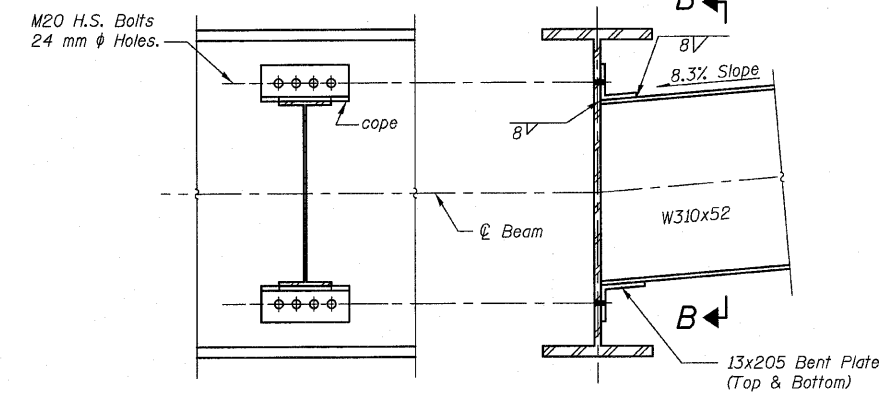
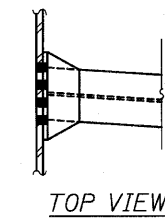
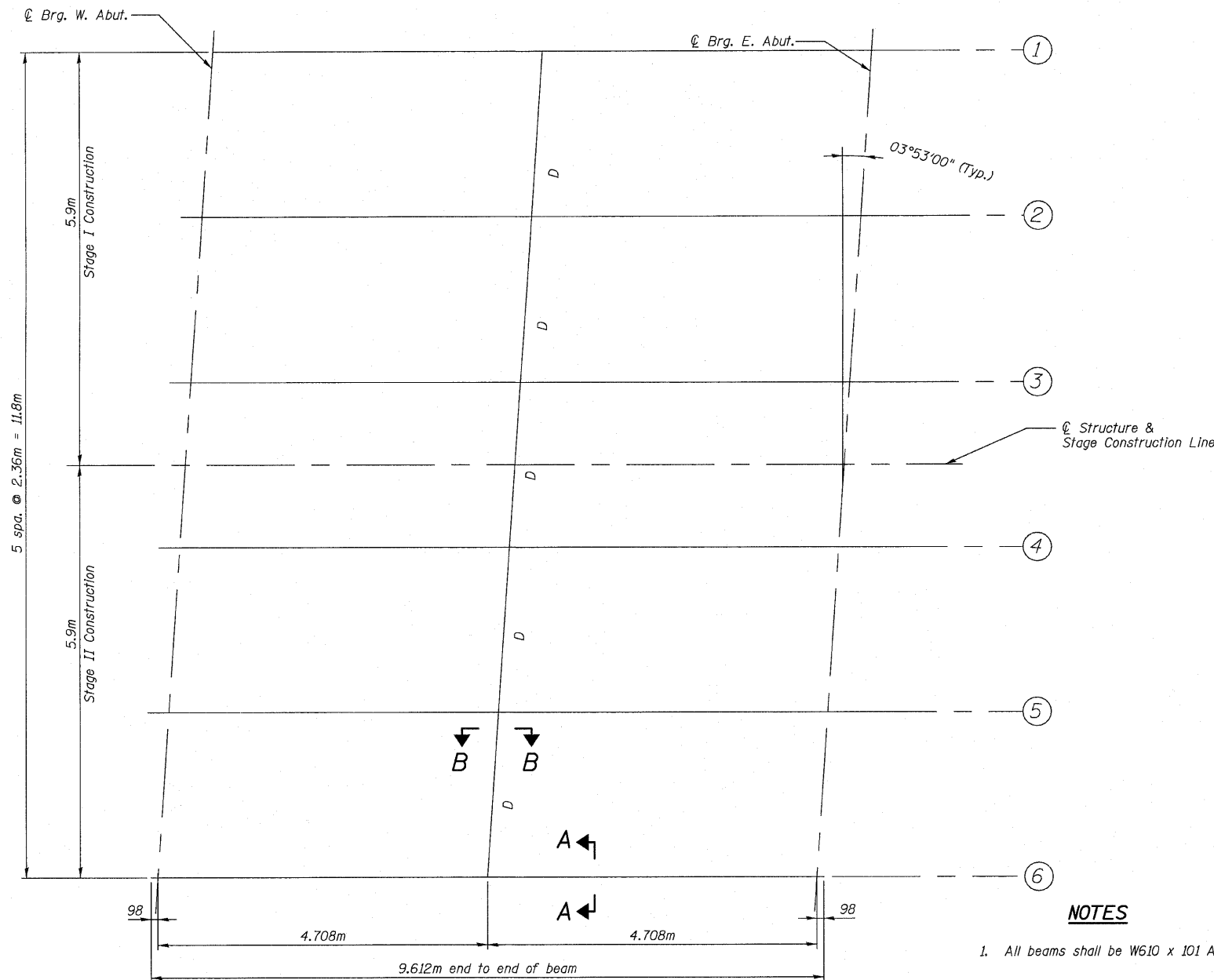


STATE OF ILLINOIS  
DEPARTMENT OF TRANSPORTATION

ROUTE NO.	SECTION	COUNTY	SHEET	SHEET NO.
FAP 303 IL. 173	134(B&B-2)-1	LAKE	137 74	11 17 SHEETS
FED. ROAD DIST. NO. 7	ILLINOIS	FED. AID PROJECT-		



**NOTES**

1. All beams shall be W610 x 101 AASHTO M270 grade 345 (NTR)
2. All cross frames or diaphragms shall be installed as steel is erected and secured with erection pins and bolts except as otherwise noted. Individual cross frames or diaphragms at supports may be temporarily sconnected to install bearing anchor rods.
3. Load Carrying componets designated "NTR" shall conform to the Supplemental Requirements for Notch Toughness Zone 2.
4. Hardened washers shall be required over all oversize holes for diaphragms.
5. For Steel Beam Details See Sheet No. 12.
6. All dimensions are in millimeters (mm) except as noted.
7. Bearings and Structural Steel are Furnished in a separate contract. Cost for erecting these items is included in this contract as "Erecting Structural Steel"

**DIAPHRAGM D**  
5 Required

**FRAMING PLAN**  
FAP 303 IL. ROUTE 173  
OVER WEST BOAT CHANNEL  
SECTION 134(B&B-2)R-1  
LAKE COUNTY  
STATION 25+098.390  
STRUCTURE NO. 049-0055

DESIGNED	PAT2
CHECKED	RCJ/JRF
DRAWN	RDS
CHECKED	PAT2

