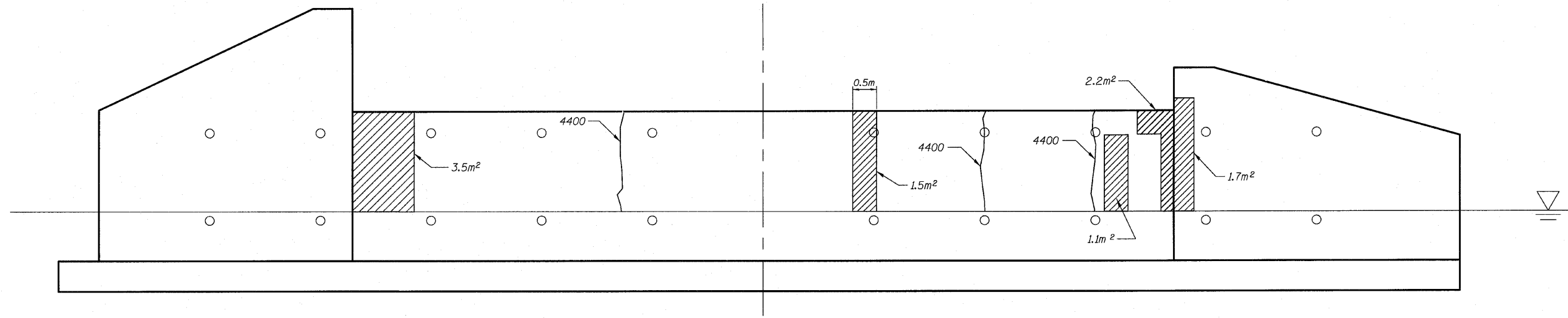


STATE OF ILLINOIS
DEPARTMENT OF TRANSPORTATION


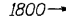
ROUTE NO. FAP 303 IL. 173	SECTION 134(B&B-2)R-1	COUNTY LAKE	DISTRICT 137	SHEET NO. 77
FED. ROAD DIST. NO. 7		ILLINOIS FED. AID PROJECT		

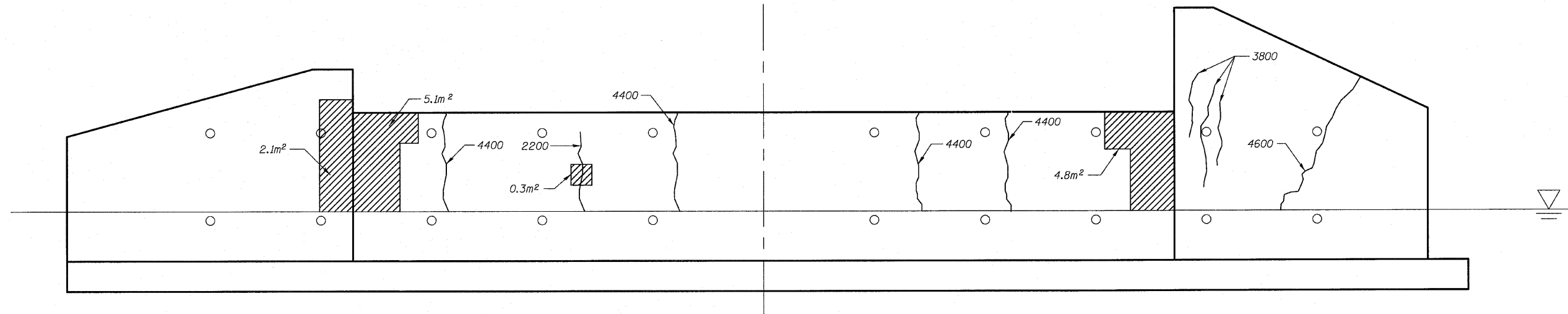
SHEET NO. 14
17 SHEETS



NOTE:
Contractor to prevent debris from falling
into waterway.

EXISTING WEST ABUTMENT
(Looking West)

LEGEND
 Formed Concrete Repair (<=125mm)
 Epoxy Crack Injection
 All Crack Lengths are in mm
 All Areas are in m²



EXISTING EAST ABUTMENT
(Looking East)

BILL OF MATERIALS

ITEM	UNIT	TOTAL
Structural Repair of Concrete (<=125mm)	m²	23
Epoxy Crack Injection	m	42

SUBSTRUCTURE REPAIR
FAP 303 IL. ROUTE 173
OVER WEST BOAT CHANNEL
SECTION 134(B&B-2)R-1
LAKE COUNTY
STATION 25+098.390
STRUCTURE NO. 049-0055

DESIGNED	PAT2
CHECKED	RCJ/JRF
DRAWN	RDS
CHECKED	PAT2

