

STATE OF ILLINOIS
DEPARTMENT OF TRANSPORTATION

ROUTE NO.	SECTION	COUNTY	TOTAL SHEETS	SHEET NO.
FAP 303 IL. 173	134(B&B-2)R-1	LAKE	137	08
FED. ROAD DIST. NO. 7	ILLINOIS	FED. AID PROJECT		

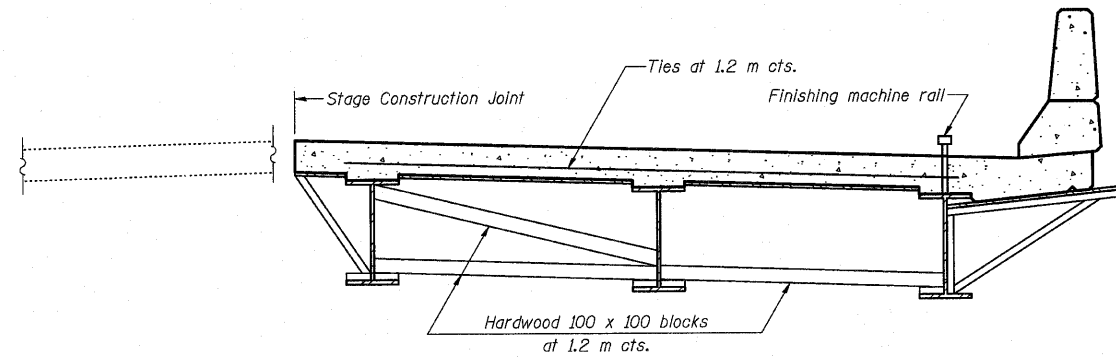
SHEET NO. 17
17 SHEETS

When cantilever forming brackets are used, the work shall be done according to Article 503.06, except as modified below and in the details shown on this sheet.

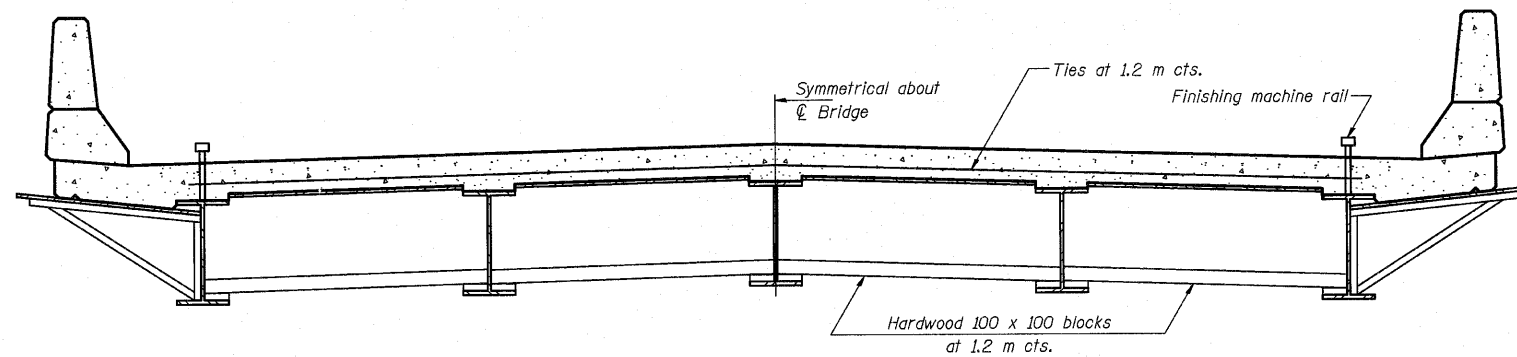
The finishing machine rails shall be placed on the top flange of the exterior beams.

The beams or girders supporting cantilever forming brackets shall be tied together at 1.2 m intervals.

For Standard construction, or Stage Construction the Hardwood bracing materials shall be placed as shown between webs of beams in each bay.



**FORM BRACES FOR
STAGE CONSTRUCTION**



**FORM BRACES FOR
STANDARD CONSTRUCTION**

DESIGNED	PAT2
CHECKED	RCJ/JRF
DRAWN	RDS
CHECKED	PAT2



CANTILEVER FORMING BRACKETS
FAP 303 IL. ROUTE 173
OVER WEST BOAT CHANNEL
SECTION 134(B&B-2)R-1
LAKE COUNTY
STATION 25+098.390
STRUCTURE NO. 049-0055