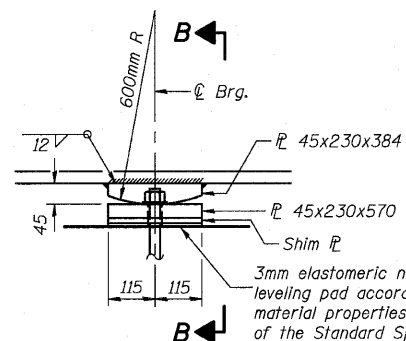


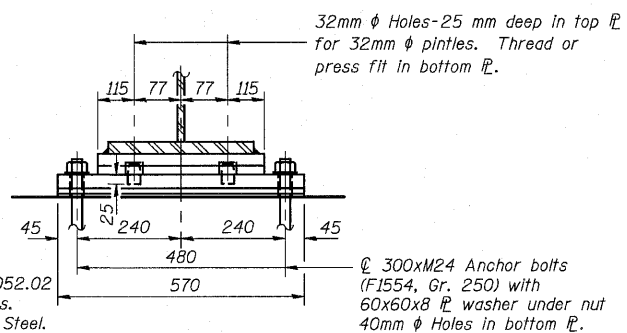
STATE OF ILLINOIS
DEPARTMENT OF TRANSPORTATION

ROUTE NO.	SECTION	COUNTY	TOTAL SHEETS	SHEET NO.
FAP 303 IL 173	348AB-CR-1	LAKE	137	90
FED. ROAD DIST. NO. 7	ILLINOIS	FED. AID PROJECT		

SHEET NO. 15
23 SHEETS

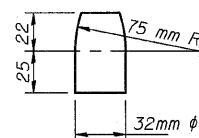


ELEVATION AT PIER



SECTION B-B

FIXED BEARING
(6 Required)



PINTLE

32mm ϕ Holes-25 mm deep in top flange for 32mm ϕ pintles. Thread or press fit in bottom flange.

ϕ 300xM24 Anchor bolts (F1554, Gr. 250) with 60x60x8 flange washer under nut. 40mm ϕ Holes in bottom flange.

NOTES

Bearings and Structural Steel are Furnished in a separate contract. Cost for erecting these items is included in this contract as "Erecting Structural Steel"

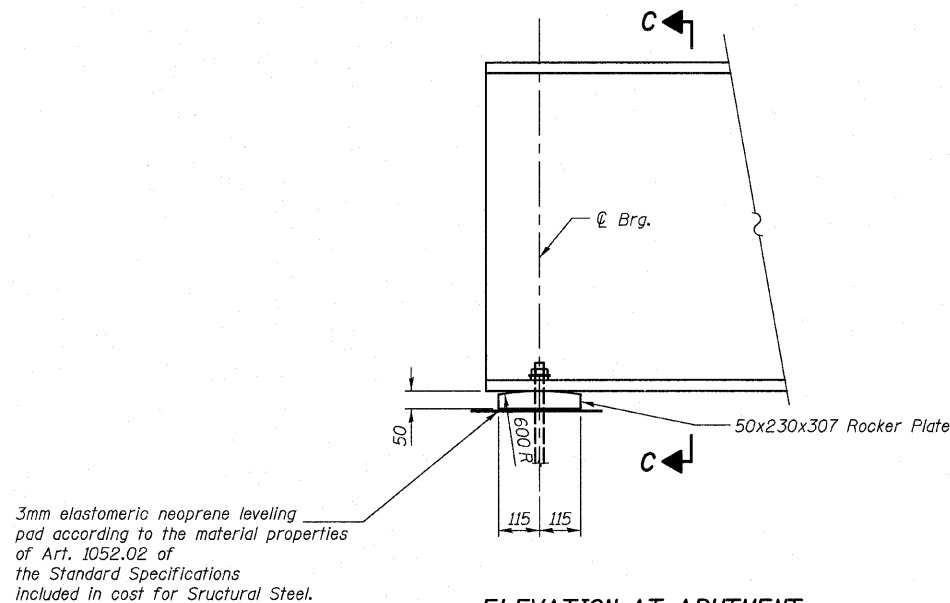
Two 3 mm adjusting shims shall be provided for each bearing in addition to all other plates or shims and placed as shown on bearing details.

All dimensions are in millimeters (mm) except as noted.

Anchor bolts shall be ASTM F1554 all-thread (or an Engineer-approved alternate material) of the grade(s) and diameter(s) specified. ASTM A307 Grade C anchor bolts may be used in lieu of ASTM F1554 Grade 250 (Fy=250mpa). The corresponding specified grade of AASHTO M314 anchor bolts may be used in lieu of ASTM F1554.

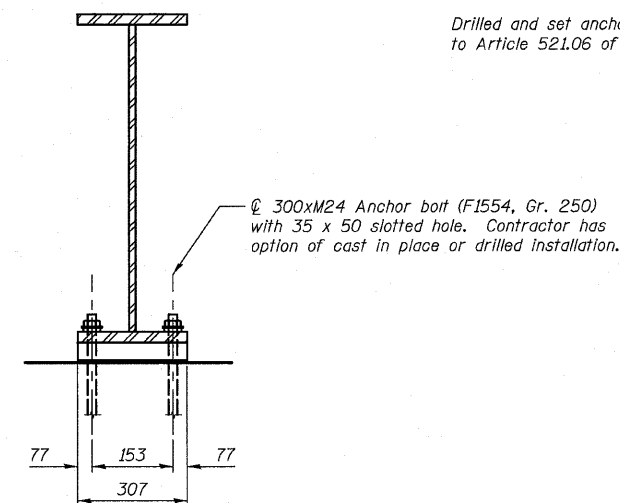
Anchor bolts at fixed bearings may be either cast in place or installed in holes drilled after the supported member is in place.

Drilled and set anchor bolts shall be installed according to Article 521.06 of the Standard Specifications.



ELEVATION AT ABUTMENT

3mm elastomeric neoprene leveling pad according to the material properties of Art. 1052.02 of the Standard Specifications included in cost for Structural Steel.



SECTION C-C

ϕ 300xM24 Anchor bolt (F1554, Gr. 250) with 35 x 50 slotted hole. Contractor has option of cast in place or drilled installation.

ROCKER BEARING
(12 Required)

DESIGNED	JRF
CHECKED	RCJ
DRAWN	RDS
CHECKED	JRF

Applied Technologies

LOW-PROFILE FIXED BEARINGS
FAP 303 IL. ROUTE 173
OVER EAST BOAT CHANNEL
SECTION 134(B&B-2)R-1
LAKE COUNTY
STATION 26+271.906
STRUCTURE NO. 049-0198