

ROUTE NO.	SECTION	COUNTY	SHEET	SHEET NO. 18
FAP 303	134(B&B-2)R-1	LAKE	137	23 SHEETS
ILL. 173				
FED. ROAD DIST. NO. 7	ILLINOIS	FED. AID PROJECT		

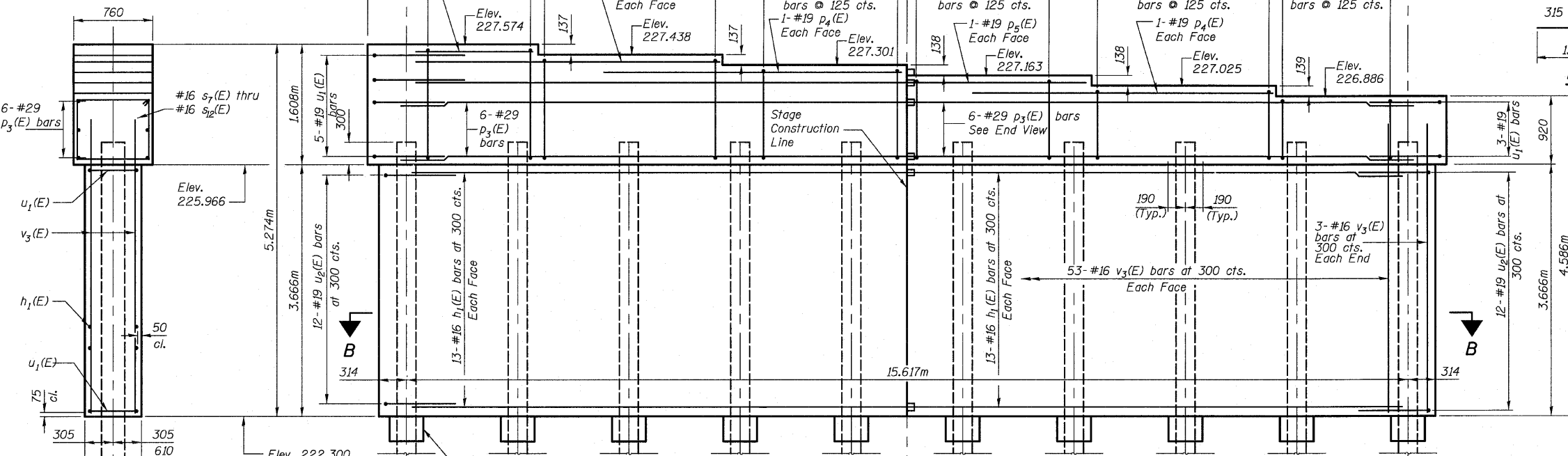
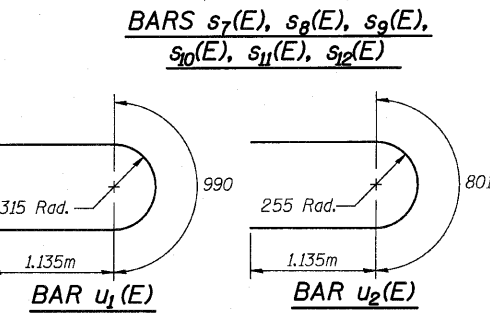
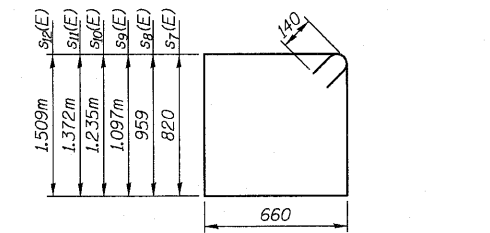
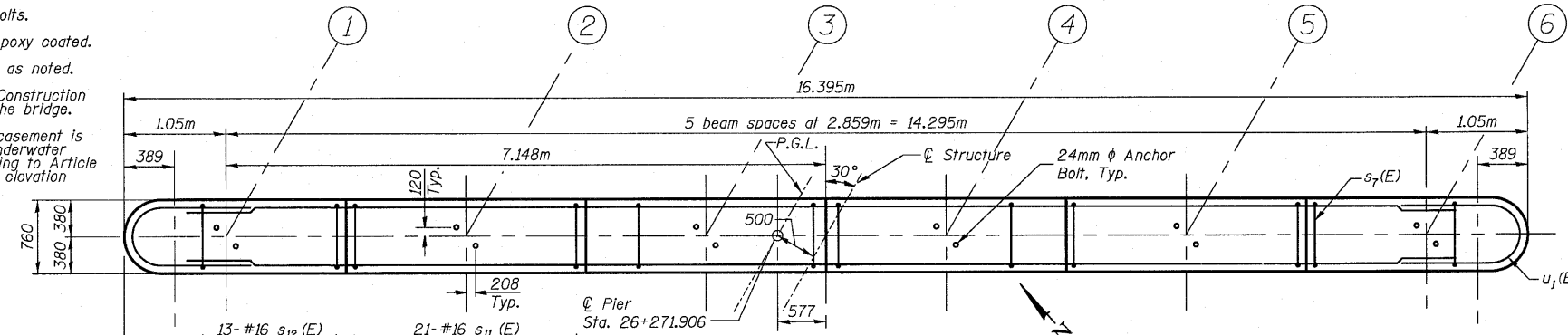
**NOTES**

Four steps monolithically with cap.  
 Place reinforcement in cap to miss anchor bolts.  
 Reinforcement bars designated (E) shall be epoxy coated.  
 All dimensions are in millimeters (mm) except as noted.  
 Stage Construction Line differs from Stage Construction Line in the deck above due to the skew of the bridge.  
 If a portion of the pier wall or concrete encasement is under water, reinforcement may be placed underwater into forms. Concrete shall be tremied according to Article 503.08 of the Standard Specifications to an elevation of 300 above the water line at the time of construction.  
 See Sheet 21 for Pile Encasement details.

**PILE DATA**

Type: HP 310x79  
 Nominal Required Bearing: 500kN  
 Allowable Resistance Available: 530kN  
 Est. Length: 18.6m  
 No. Production Piles Required: 9  
 No. Test Piles: 1

STATE OF ILLINOIS  
 DEPARTMENT OF TRANSPORTATION



**PIER BILL OF MATERIAL**

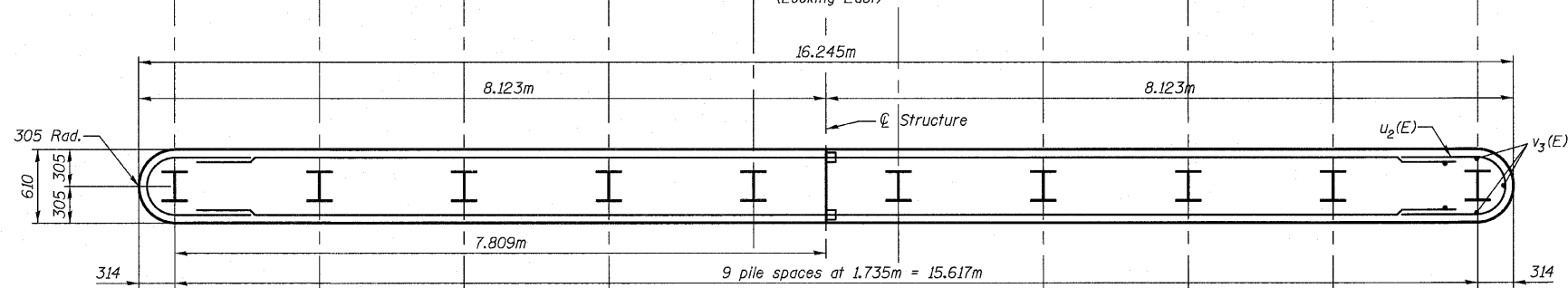
Bar	No.	Size	Length (m)	Shape
h1(E)	52	#16	7.603	□
p3(E)	12	#29	7.603	—
p4(E)	6	#19	3.620	—
p5(E)	2	#19	2.779	—
p8(E)	2	#19	2.060	—
s7(E)	13	#16	3.240	□
s8(E)	21	#16	3.518	□
s9(E)	17	#16	3.794	□
s10(E)	17	#16	4.070	□
s11(E)	21	#16	4.344	□
s12(E)	13	#16	4.618	□
u1(E)	8	#19	3.260	—
u2(E)	24	#19	3.071	—
v3(E)	108	#16	4.018	—
Underwater Structure Excavation Protection, Location 1	Each		1	
Concrete Structures	m <sup>3</sup>		53	
Concrete Encasement	m <sup>3</sup>		3.0	
Furnishing Steel Piles, HP310x79	Meter		170	
Driving Steel Piles	Meter		170	
Test Pile, HP310x79	Each		1	
Reinforcement Bars, Epoxy Coated	kg		2,250	

Reinforcement Bars designated (E) shall be epoxy coated.

**END VIEW**



**ELEVATION**  
 (Looking East)



**SECTION B-B**

DESIGNED	JRF
CHECKED	RCJ
DRAWN	RDS
CHECKED	JRF



**PIER**  
 FAP 303 IL. ROUTE 173  
 OVER EAST BOAT CHANNEL  
 SECTION 134(B&B-2)R-1  
 LAKE COUNTY  
 STATION 26+271.906  
 STRUCTURE NO. 049-0198

3116-049-0198.dgn