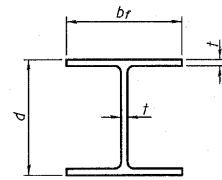


STATE OF ILLINOIS  
DEPARTMENT OF TRANSPORTATION

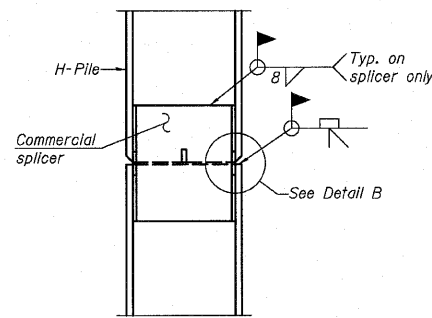
ROUTE NO.	SECTION	COUNTY	TOTAL SHEETS	SHEET NO.
FAP 303 IL. 173	134(B&B)-2R-1	LAKE	137	101
FED. ROAD DIST. NO. 7	ILLINOIS	FED. AID PROJECT		

SHEET NO. 21  
23 SHEETS

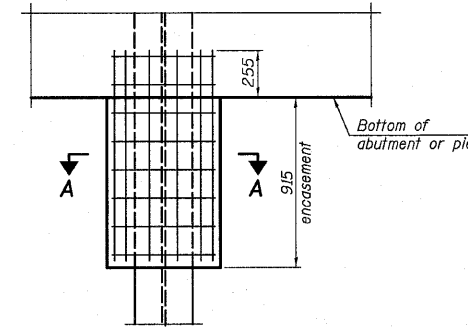


STEEL PILE TABLE

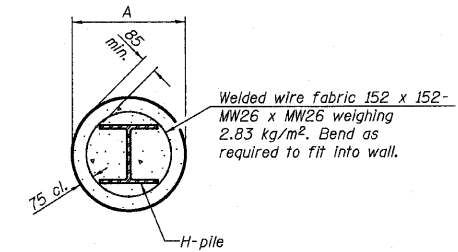
Designation	Depth d	Flange width b <sub>f</sub>	Web and Flange thickness t	Encasement diameter A
HP 360x174	361	378	20.4	760
360x152	356	376	17.9	760
360x132	351	373	15.6	760
360x108	346	370	12.8	760
HP 310x125	312	312	17.4	610
310x110	308	310	15.5	610
310x93	303	308	13.1	610
310x79	299	306	11.0	610
HP 250x85	254	260	14.4	610
250x62	246	256	10.7	610
HP 200x53	204	207	11.3	460



ELEVATION



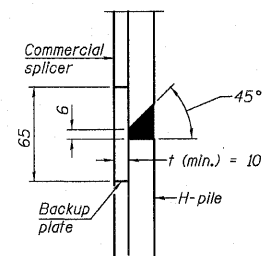
ELEVATION



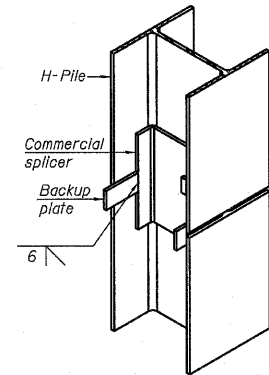
SECTION A-A

Note:  
Forms for encasement may be omitted when soil conditions permit.

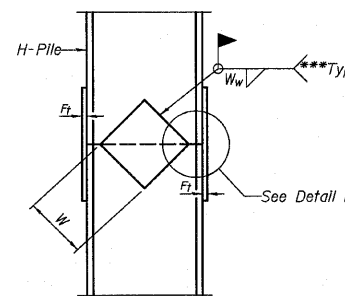
PILE ENCASEMENT



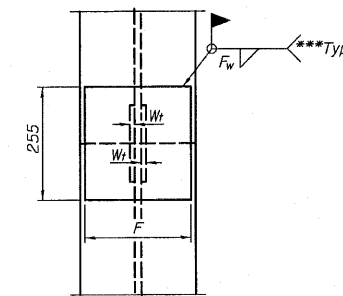
DETAIL "B"



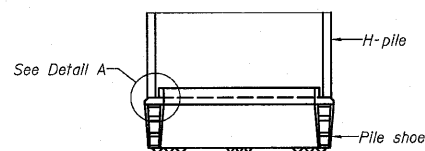
ISOMETRIC VIEW



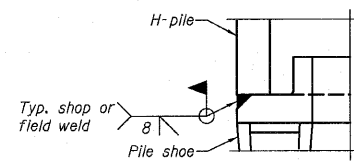
ELEVATION



END VIEW

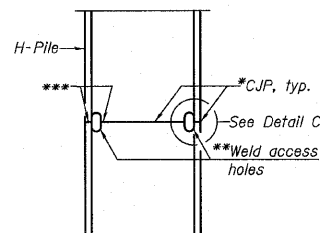


ELEVATION

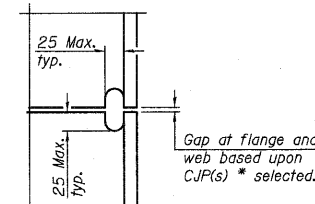


DETAIL A

H-PILE SHOE ATTACHMENT



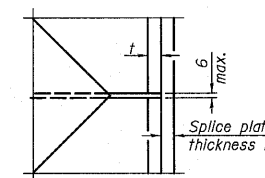
ELEVATION



DETAIL C

COMPLETE PENETRATION WELD SPLICE

- \* Use joint conforming to Figure 3.4 in AWS D1.1, Structure Welding Code - Steel.
- \*\* Preparation per Fig. 5.2 in AWS D1.1, Structure Welding Code - Steel.
- \*\*\* Interrupt welds 6mm from end of each pile.



DETAIL D

WELDED PLATE FIELD SPLICE

Note:

The steel H-piles shall be according to AASHTO M270 Grade 345.  
If the Contractor chooses to alter the temporary cantilevered sheet piling design requirements shown on the plans, a design submittal including plan details and calculations will be required for review and acceptance by the Engineer.

All dimensions are in millimeters (mm) except as noted.

Designation	F	F <sub>t</sub>	F <sub>w</sub>	W	W <sub>t</sub>	W <sub>w</sub>
HP 360x174	320	25	22	195	16	13
360x152	320	22	19	195	16	13
360x132	320	19	17	195	16	13
360x108	320	16	14	195	16	13
HP 310x125	255	22	17	165	16	13
310x110	255	22	17	165	16	13
310x93	255	16	13	165	13	10
310x79	255	16	13	165	13	10
HP 250x85	205	19	14	135	13	10
250x62	205	16	14	135	13	10
HP 200x53	180	16	11	110	13	10

HP PILE DETAILS  
FAP 303 IL. ROUTE 173  
OVER EAST BOAT CHANNEL  
SECTION 134(B&B-2)R-1  
LAKE COUNTY  
STATION 26+271.906  
STRUCTURE NO. 049-0198

DESIGNED	JRF
CHECKED	RCJ
DRAWN	RDS
CHECKED	JRF

