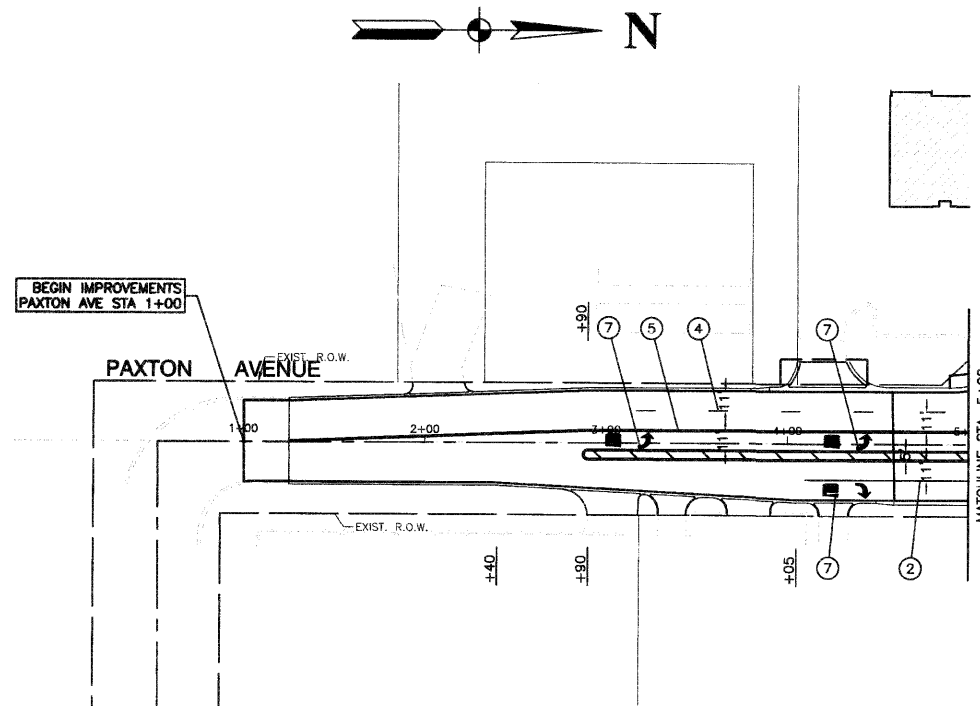
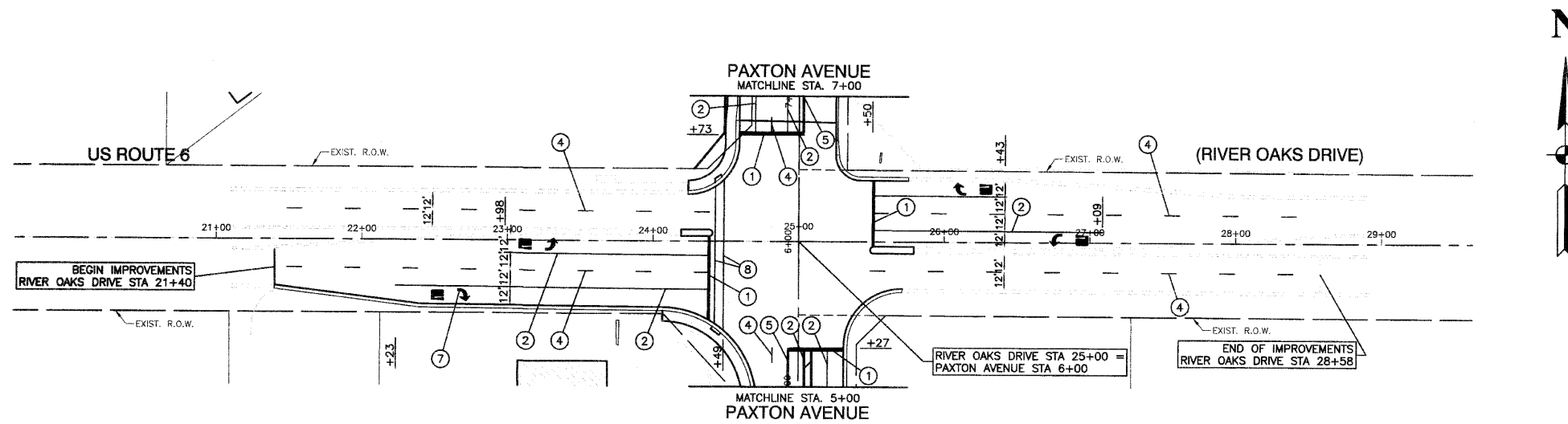
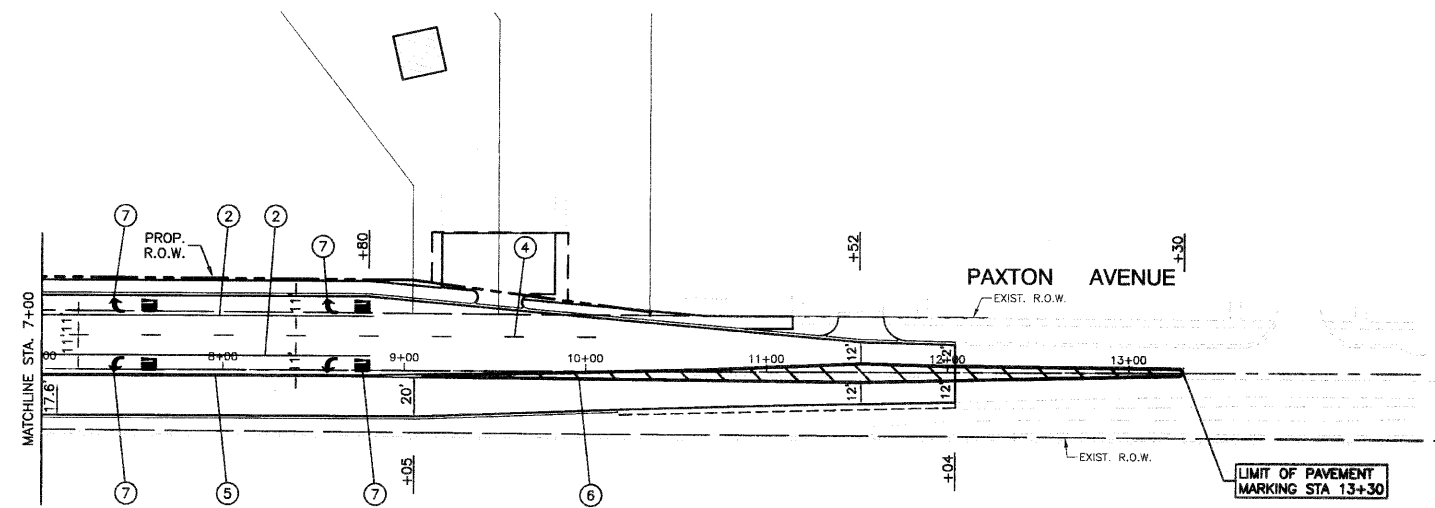


SECTION 13, TOWNSHIP 36, RANGE 14
SECTION 24, TOWNSHIP 36, RANGE 14



US ROUTE 6 (RIVER OAKS DRIVE)



NOTE

ALL PAVEMENT MARKINGS ON CONCRETE PAVEMENT WILL BE PREFORMED PLASTIC
RAISED REFLECTIVE PAVEMENT MARKER WILL BE INSTALLED ON US RTE 6 (RIVER OAKS DRIVE) ONLY ACCORDING TO THE DETAIL RAISED REFLECTIVE PAVEMENT MARKING (SNOW-PLOW RESISTANT)

PAVEMENT MARKING LEGEND

- ① 24" WHITE STOP BAR
- ② 6" WHITE LANE LINE
- ③ 6" WHITE SKIP-DASH LINE (2' LINE - 6' SPACE)
- ④ 4" WHITE SKIP - DASH LINE (10' LINE - 30' SPACE)
- ⑤ DOUBLE 4" YELLOW CENTERLINE (11" C/C)
- ⑥ 12" YELLOW DIAGONAL LINE (20' C/C)
- ⑦ WHITE LETTERS & SYMBOLS
- ⑧ 6" WHITE CROSSWALK LINE

FILE NAME = 00328-PLPR-01 - PVMK01

USER NAME =	DESIGNED -- RW	REVISED --
	CHECKED -- RW	REVISED --
PLOT SCALE =	DRAWN -- RQ/PS	REVISED --
PLOT DATE = 01-25-10	CHECKED -- AG	REVISED --

STATE OF ILLINOIS
DEPARTMENT OF TRANSPORTATION

US ROUTE 6 (RIVER OAKS DRIVE) AT PAXTON AVENUE
INTERSECTION IMPROVEMENT
PAVEMENT MARKING

SCALE: 1"=50' SHEET NO. 015 OF 044 SHEETS STA. TO STA.

F.A.P. RTE.	SECTION	COUNTY	TOTAL SHEETS	SHEET NO.
351	06-00139-00-CH	COOK	044	015
CONTRACT NO. 63268				
FED. ROAD DIST. NO. 1 ILLINOIS FED. AID PROJECT HD-M-9003(256)				