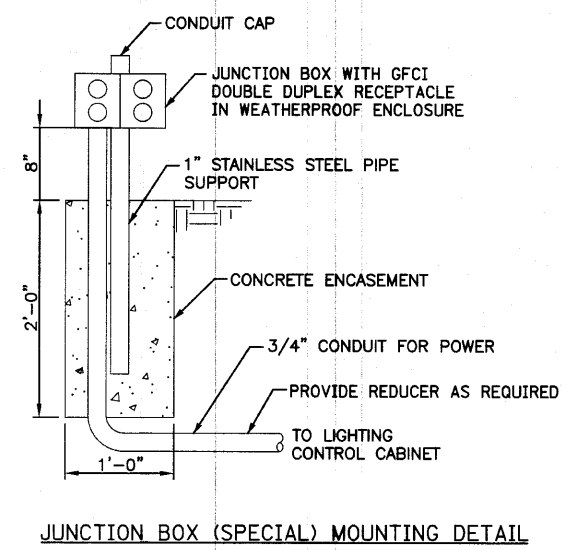
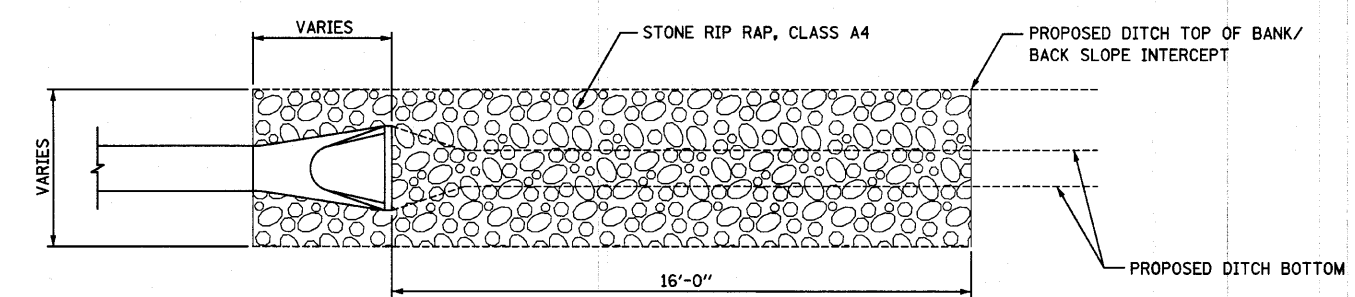


• DIMENSION FOR 15" END SECTION

STONE RIP RAP AT 12" AND 15" STORM SEWER END SECTIONS



JUNCTION BOX (SPECIAL) MOUNTING DETAIL

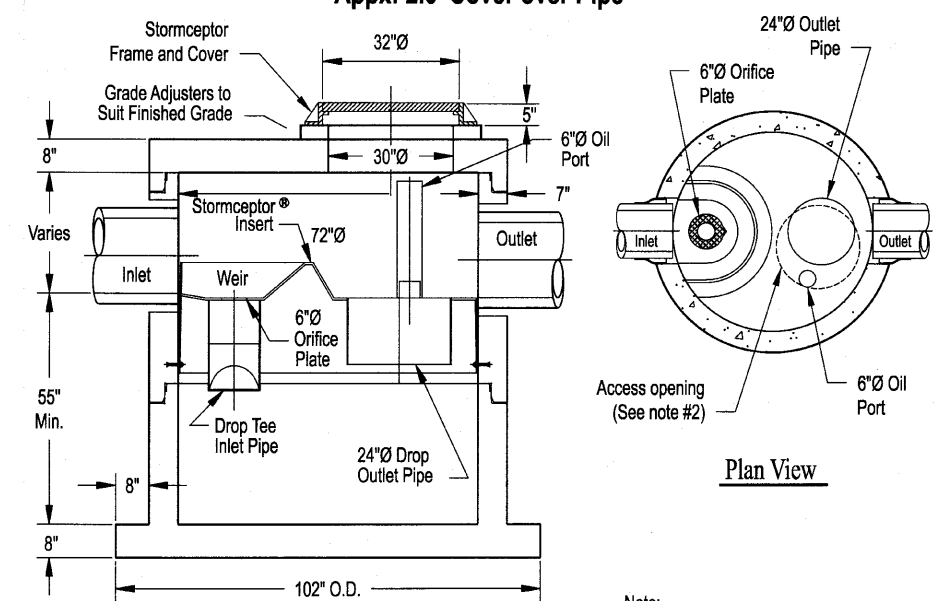


STONE RIP RAP AT 12" AND 15" CULVERT END SECTIONS DOWNSTREAM

Rinker Stormceptor - Northern Illinois & Wisconsin
 MATERIALS™ Ph:414-235-9665 dThomson@CemexUSA.com

STC 900 Precast Concrete Stormceptor®
 (900 U.S. Gallon Capacity)

Available for Shallow Application
 Appx: 2.0' Cover over Pipe



Section Thru Chamber

Plan View

Note:
 Heaviest single piece
 Typ. Wt. = 13,140#

CATCH BASINS, SPECIAL AS MANUFACTURED BY
 STORMCEPTOR OR AN APPROVED EQUAL.

- Notes:
1. The Use Of Flexible Connection is Recommended at The Inlet and Outlet Where Applicable.
 2. The Cover Should be Positioned Over The Outlet Drop Pipe and The Oil Port.
 3. The Stormceptor System is protected by one or more of the following U.S. Patents: #4985148, #5498331, #5725760, #5753115, #5849181, #6068765, #6371690.
 4. Contact a Concrete Pipe Division representative for further details not listed on this drawing.

Rinker 028 II-WI

FILE NAME = s:\vol1\1980-1999\1982\micron\plan sheets\01-ehf-detailed.dgn

1170 SOUTH HOUBOLT ROAD JULIET, ILLINOIS 60431 (815) 744-4200	USER NAME = saron	DESIGNED -	REVISED -	STATE OF ILLINOIS DEPARTMENT OF TRANSPORTATION	DETAILS	F.A. RTE. 2661	SECTION 02-00076-13-CH	COUNTY LAKE	TOTAL SHEETS 177	SHEET NO. 103
	PLOT SCALE = 2,5000' / IN.	CHECKED -	REVISED -			SCALE: AS SHOWN SHEET NO. OF SHEETS STA. TO STA.	FED. ROAD DIST. NO. 1 ILLINOIS FED. AID PROJECT	CONTRACT NO. 63457		
	PLOT DATE = 4/1/2012	DATE -	REVISED -							