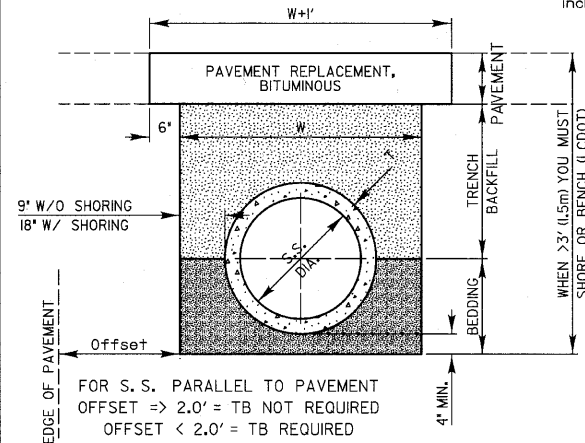


ENGLISH		TRENCH WIDTH (W)		MIN OFFSET FROM E.O.P.* FOR NO TB		1/2 PIPE AREA (SQ FT)
S.S. DIA.	T	WITHOUT SHORING	WITH SHORING	WITHOUT SHORING	WITH SHORING	
10"	2"	2.67'	4.17'	3.33'	4.08'	0.53
12"	2"	2.83'	4.33'	3.42'	4.17'	0.70
15"	2 1/4"	3.13'	4.63'	3.56'	4.31'	1.04
18"	2 1/2"	3.42'	4.92'	3.71'	4.46'	1.44
21"	2 3/4"	3.71'	5.21'	3.85'	4.60'	1.92
24"	3"	4.00'	5.50'	4.00'	4.75'	2.45
27"	3 1/4"	4.29'	5.79'	4.15'	4.90'	3.06
30"	3 1/2"	4.58'	6.08'	4.29'	5.04'	3.73
36"	4"	5.17'	6.67'	4.58'	5.33'	5.28
42"	4 1/2"	5.75'	7.25'	4.88'	5.63'	7.09
48"	5"	6.33'	7.83'	5.17'	5.92'	9.17

\* TO CENTER LINE OF PIPE



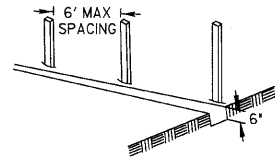
SCALE: 1" = 2'

REVISIONS	DATE	APPROVED BY: M. G. ZEMAITIS
Text Revision	8/06/07	DATE: APRIL 1, 2007

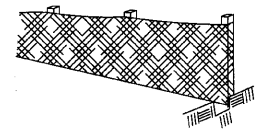
**TRENCH WIDTHS FOR TRENCH BACKFILL & PAVEMENT REPLACEMENT, BITUMINOUS**

LC0020

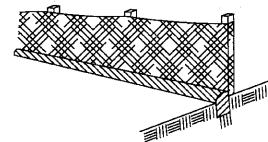
1. SET POSTS AND EXCAVATE OR SLIT-TRENCH A 6-INCH DEEP TRENCH UPSLOPE ALONG THE LINE OF POSTS



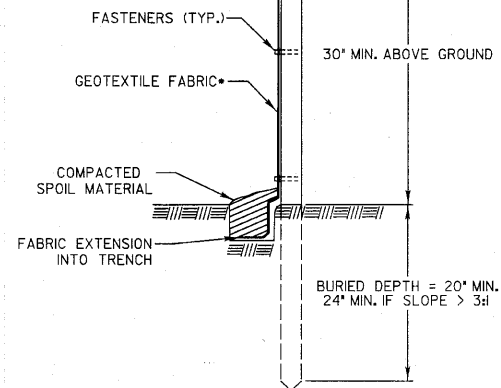
2. ATTACH GEOTEXTILE FILTER FABRIC TO EACH POST WITH A MINIMUM OF 3 (THREE) FASTENERS PER POST AND EXTEND FABRIC TO THE BOTTOM OF THE TRENCH



3. BACKFILL AND COMPACT THE EXCAVATED MATERIALS



POSTS - CHOICE OF:  
1.2" X 1.2" NOMINAL HARDWOOD POSTS  
2.6" X 2.6" NOMINAL NO.2 SOUTHERN PINE OR  
U, T, L, OR C-SHAPE STEEL POSTS WITH MIN. WEIGHT 1.33 LBS/FT



\* NOTE: OPTIONAL WIRE SUPPORT  
- MIN. 30" HEIGHT  
- MIN. 14 GAUGE WIRE  
- MIN. 6 HORIZ. WIRES  
- MIN. 6" VERTICAL SPACING

SCALE 1" = 1'

REVISIONS	DATE	APPROVED BY: M. G. ZEMAITIS
ORIG. by LCSMC	04/21/08	DATE: JUNE 20, 2008

**PERIMETER EROSION BARRIER INSTALLATION**

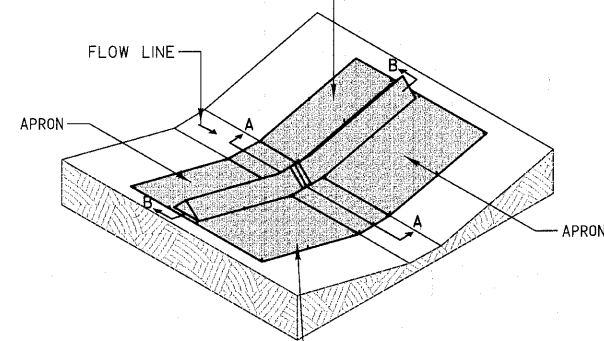
LC2051

Requirements	Test Methods	Wire Backed Supported Silt Fence	Unsupported Silt Fence	
			Geotextile Elongation >=50%	Geotextile Elongation <50%
Maximum Post Spacing		4 feet	4 feet	6 feet
Grab Strength	ASTM D 4632			
Machine direction		90 lbs	124 lbs	124 lbs
X-Machine direction		90 lbs	100 lbs	100 lbs
Permittivity	ASTM D 4491	0.05 sec <sup>-1</sup>	0.05 sec <sup>-1</sup>	0.05 sec <sup>-1</sup>
Apparent Opening Size	ASTM D 4751	0.024in maximum average roll value		
Ultraviolet stability (retained strength)	ASTM D 4355	70% after 500 hours of exposure		

DESIGNED	REVISIONS
MAG	
VLF	
RKK	

**STATE OF ILLINOIS DEPARTMENT OF TRANSPORTATION**

TEMPORARY DITCH CHECK, URETHANE FOAM/GEOTEXTILE (1) ONE EACH. (ON THE RIGHT SIDE OF THE DITCH)

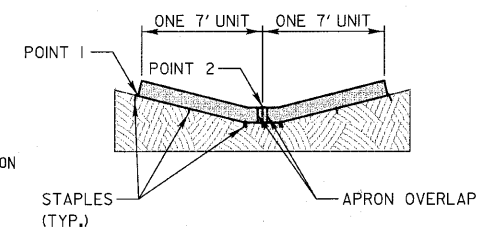
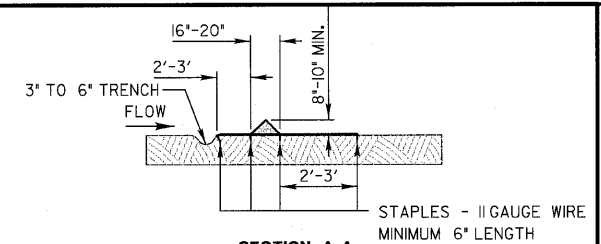


TEMPORARY DITCH CHECK, URETHANE FOAM/GEOTEXTILE (1) ONE EACH. (ON THE LEFT SIDE OF THE DITCH)

**SILT DIKE UNIT ISOMETRIC**

NOTE: THE INSTALLATION SHOWN ABOVE WILL BE MEASURED AS TWO (2) EACH TEMPORARY DITCH CHECK, URETHANE FOAM/GEOTEXTILE.

SCALE: 1" = 5'



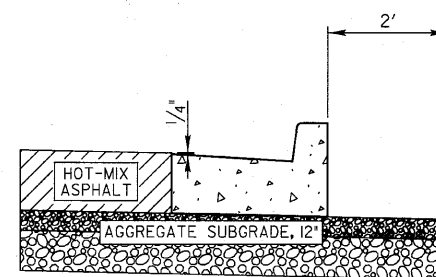
STAPLES SHALL BE PLACED WHERE THE UNITS OVERLAP AND IN THE CENTER OF THE 7' UNIT AS SHOWN ON THE DIAGRAM.

POINT 1 MUST BE HIGHER THAN POINT 2 TO INSURE THAT WATER FLOWS OVER THE DIKE AND NOT AROUND THE ENDS.

REVISIONS	DATE	APPROVED BY: M. G. ZEMAITIS
ADDED DIMENSIONS	04/11/08	DATE: APRIL 1, 2007

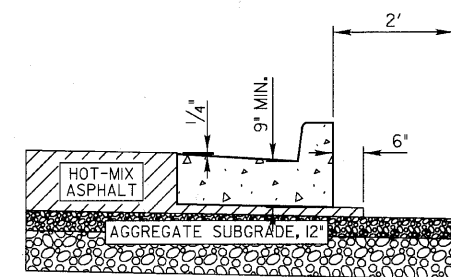
**TRIANGULAR SILT DIKE INSTALLATION FOR ROADWAY DITCH OR DRAINAGE DITCH**

LC2050



**TYPICAL METHOD**

NOTE: MINIMUM FLAG THICKNESS 9"



**OPTIONAL METHOD**

NOTE: COST OF HOT-MIX ASPHALT MATERIAL UNDER CURB AND 6' OUTSIDE OF CURB TO BE INCIDENTAL TO COST OF COMBINATION CONCRETE CURB AND GUTTER.

SCALE: 1" = 2'

REVISIONS	DATE	APPROVED BY: M. G. ZEMAITIS
		DATE: APRIL 1, 2007

**CURB & GUTTER SUBGRADE OPTIONS**

LC3000

FILE NAME = #FILE#

**STRAND ASSOCIATES, INC.**  
170 SOUTH HOUBOLT ROAD  
JOLIET, ILLINOIS 60431  
(815) 744-4200

USER NAME = #USER#	DESIGNED - MAG	REVISIONS
	VLF	
	RKK	

DESIGNED	REVISIONS
MAG	
VLF	
RKK	

**LCDOT STANDARD DETAILS**

SCALE: AS SHOWN SHEET NO. OF SHEETS STA. TO STA.

F.A. RTE.	SECTION	COUNTY	TOTAL SHEETS	SHEET NO.
266I	02-00076-13-CH	LAKE	177	104

CONTRACT NO. 63457