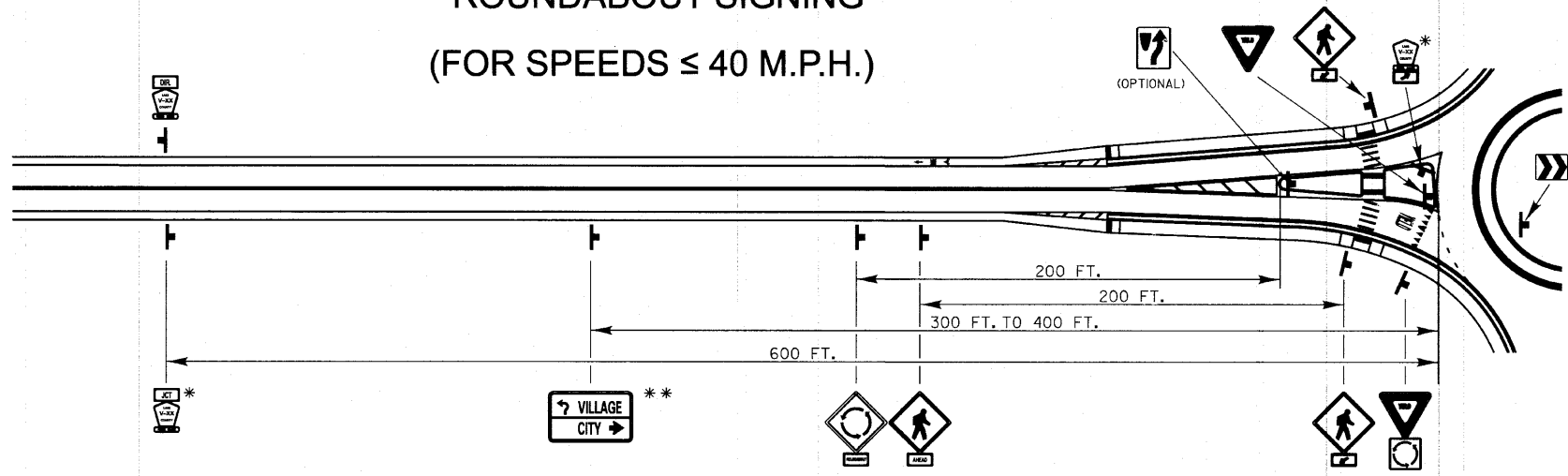


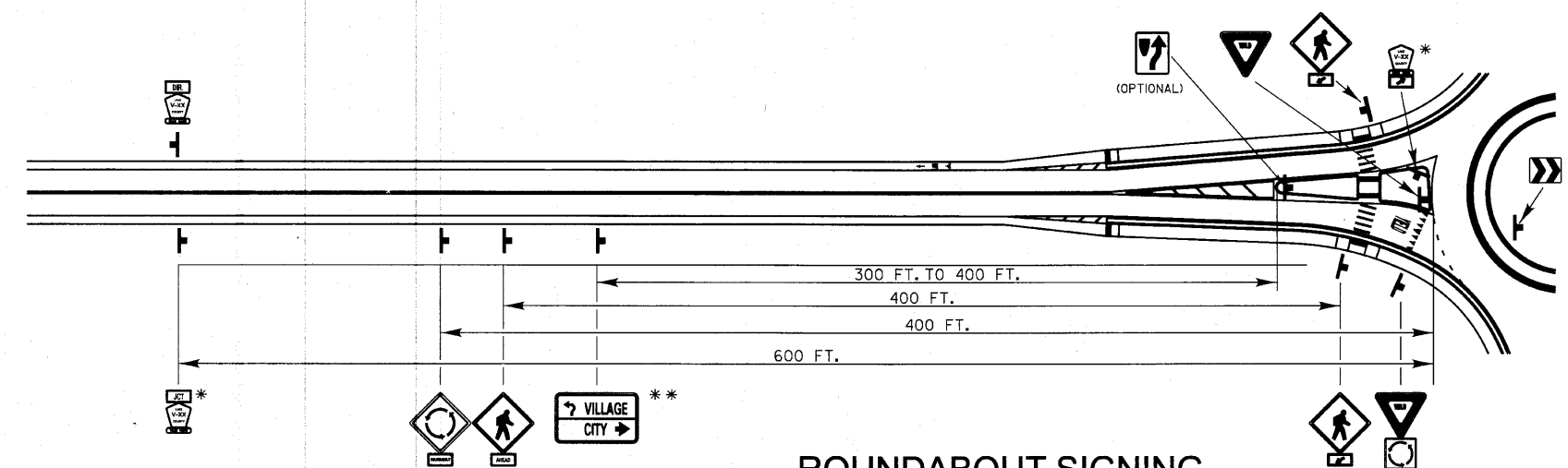
**ROUNDAABOUT SIGNING
(FOR SPEEDS ≤ 40 M.P.H.)**



**SPECIAL DETAIL FOR ROUNDAABOUTS
SIGNING and PAVEMENT MARKINGS**

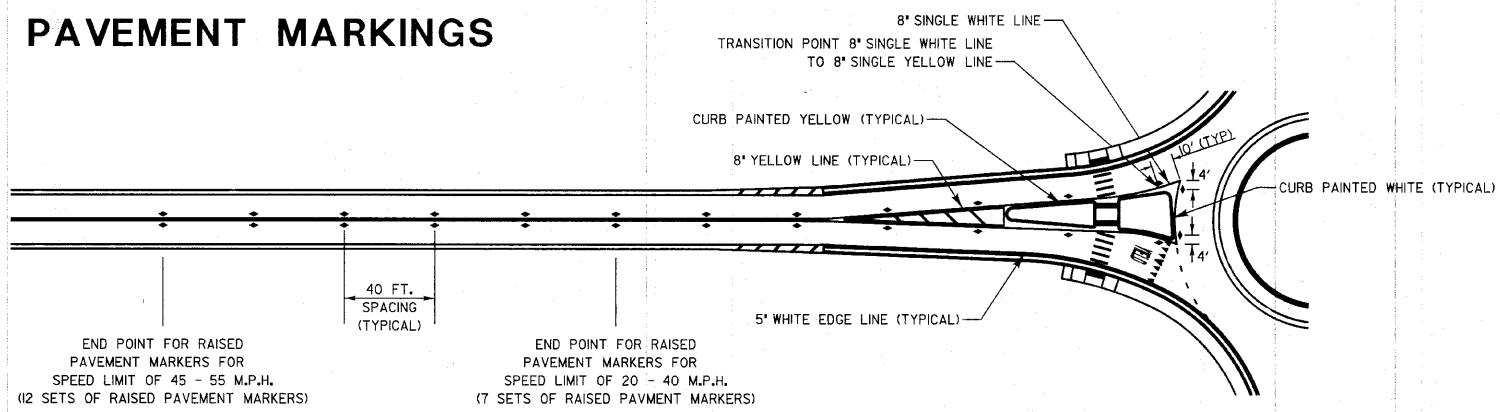
* FOR NON-MARKED ROUTES,
USE ADVANCE INTERSECTION
NAME SIGN WITH ROUNDAABOUT
SYMBOL

** OPTIONAL



**ROUNDAABOUT SIGNING
(FOR SPEEDS ≥ 45 M.P.H.)**

**ROUNDAABOUT
PAVEMENT MARKINGS**



RAISED PAVEMENT MARKERS
45 - 55 mph = 12 Sets at 40' C-C
20 - 40 mph = 7 Sets at 40' C-C

REVISIONS	DATE	APPROVED BY: A. KHAWAJA
Added Curb Pav't Marking	10/20/08	DATE: July 1, 2008
Added Pg 2 - Distance Det	1/23/09	

Lake County
Division of Transportation

**SPECIAL DETAIL for
ROUNDAABOUTS SIGNING
and PAVEMENT MARKINGS**
SHEET 2 OF 2

NO.	REVISIONS / REMARKS	DATE	BY	SURVEYOR:
	DESCRIPTION	/ /		DSGNER/LIAISON:
		/ /		PLOTTED BY:



TYPICAL SECTIONS

ROUTE	SECTION	SECTION NUMBER	SHEET	SHEETS
CH29	76	02-00076-13-CH	112	177