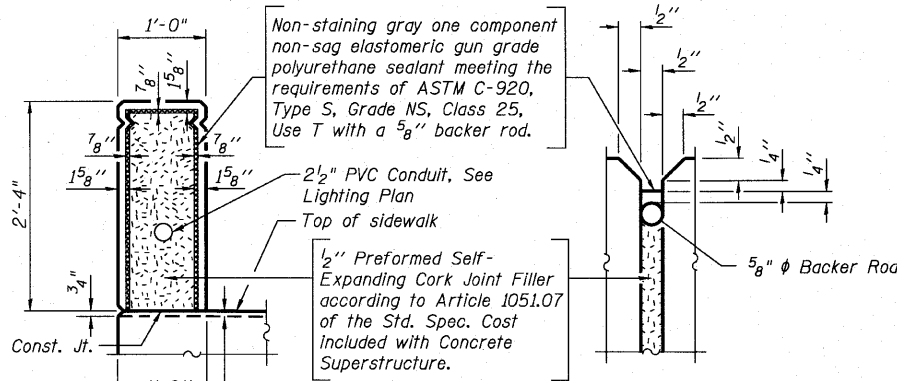


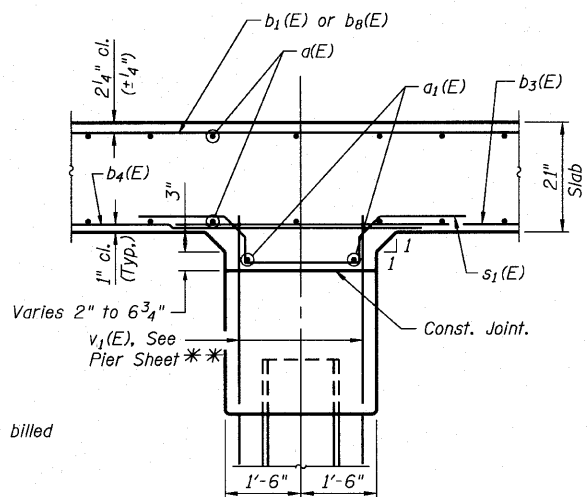
STATE OF ILLINOIS
DEPARTMENT OF TRANSPORTATION

**SUPERSTRUCTURE
BILL OF MATERIAL**

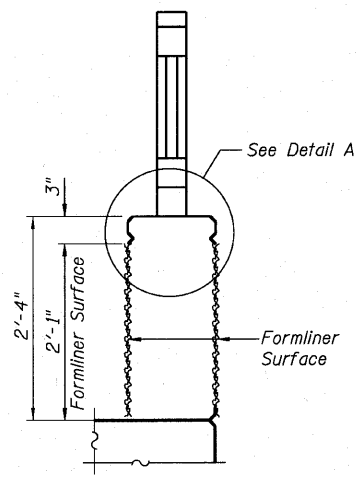
Bar	No.	Size	Length	Shape
a(E)	167	#5	43'-3"	—
a ₁ (E)	10	#5	43'-7"	—
a ₄ (E)	34	#6	6'-6"	—
b(E)	106	#6	9'-5"	—
b ₁ (E)	106	#6	36'-3"	—
b ₂ (E)	53	#6	18'-0"	—
b ₃ (E)	90	#8	31'-6"	—
b ₄ (E)	45	#8	46'-2"	—
b ₅ (E)	88	#8	18'-10"	—
b ₆ (E)	44	#8	26'-0"	—
b ₇ (E)	57	#5	34'-8"	—
b ₈ (E)	104	#9	20'-7"	—
c(E)	100	#5	2'-1"	—
c ₁ (E)	100	#5	6'-3"	—
c ₂ (E)	100	#5	3'-0"	—
c ₃ (E)	100	#5	9'-7"	—
d(E)	100	#6	3'-3"	—
d ₁ (E)	100	#4	3'-3"	—
d ₂ (E)	100	#4	5'-7"	—
d ₃ (E)	88	#4	2'-0"	—
d ₄ (E)	88	#6	5'-11"	—
e(E)	32	#4	22'-4"	—
e ₁ (E)	64	#4	5'-6"	—
e ₂ (E)	16	#4	14'-4"	—
e ₃ (E)	16	#4	15'-4"	—
s(E)	90	#5	6'-4"	—
s ₁ (E)	90	#5	6'-1"	—
Reinforcement Bars, Epoxy Coated			Pound	53,320
Concrete Superstructure			Cu. Yd.	311.3
Bridge Deck Grooving			Sq. Yd.	275
Protective Coat			Sq. Yd.	538
Form Liner Textured Surface, Special			Sq. Ft.	825
Concrete Superstructure, Special			Cu. Yd.	36.3



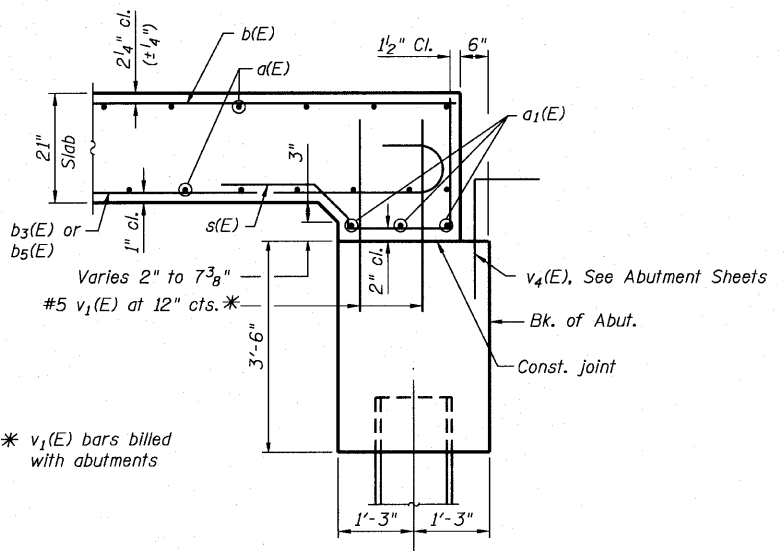
PARAPET JOINT DETAILS
(Pedestrian Screen Similar)



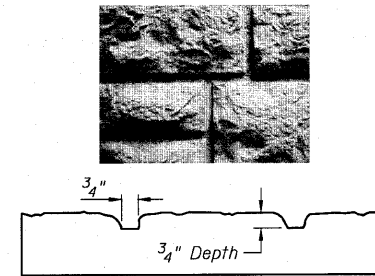
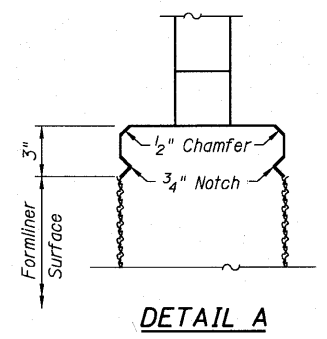
SECTION B-B



PARAPET FORMLINER
(Pedestrian Screen Similar)



SECTION A-A



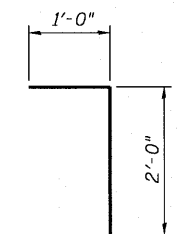
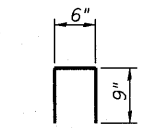
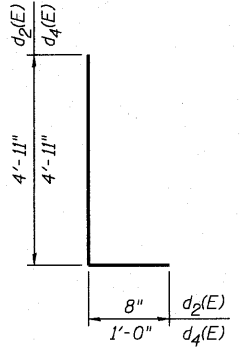
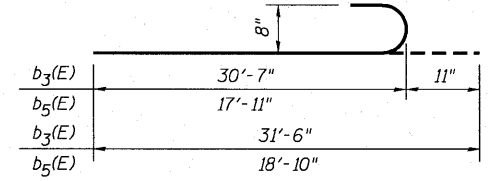
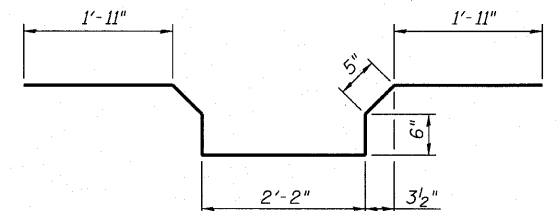
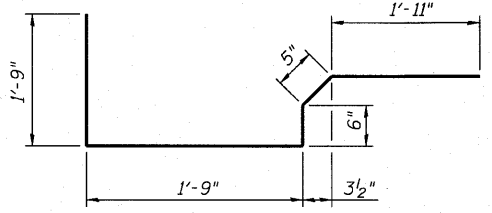
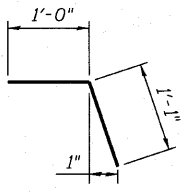
**FORM LINER
TEXTURE DETAIL**
See Special Provisions

Note:
Form Liner Textured Surface to be used on inside and outside faces of Parapet and Pedestrian Screen. Utilize Fitzgerald Formliners formliner pattern #17027 or equivalent.
The depth of relief of the Form Liner Textured Surface is limited to 3/4". The relief should not compromise the reinforcement clearance in the Parapet or Pedestrian Screen.

**SUPERSTRUCTURE DETAILS
STRUCTURE NUMBER 022-6649**

1/4" x 3/4" Formed joint with concrete sealer (full width along joint - backer rod not required). Cost included in Concrete Superstructure. See Sheets 6 and 7 for locations.

** v₁(E) bars billed with piers



DESIGNED -	JJI
CHECKED -	SRT
DRAWN -	GM
CHECKED -	SRT



SHEET NO. 8 18 SHEETS	F.A. RTE.	SECTION	COUNTY	TOTAL SHEETS	SHEET NO.
	-	03-00050-00-BR	DuPAGE	45	29
	CONTRACT NO. 63468				
FED. ROAD DIST. NO. -		ILLINOIS FED. AID PROJECT	BRM-8003 (676)		