

STATE OF ILLINOIS
DEPARTMENT OF TRANSPORTATION

Notes:
For details of piles, see sheet 17 of 18.
If a portion of the pier wall or concrete encasement is under water, reinforcement may be placed underwater into forms. Concrete shall be tremied according to Article 503.08 of the Standard Specifications to an elevation of 1'-0" above the water line at the time of construction.

PILE DATA

Type: HP 12x53 With Pile Shoes
Nominal Required Bearing: 419 kips
Factored Resistance Available: 209.5 kips
Est. Length: 41' (Pier 1)
44' (Pier 2)
No. Production Piles: 8 (Pier 1)
8 (Pier 2)
No. Test Piles: 1 each pier

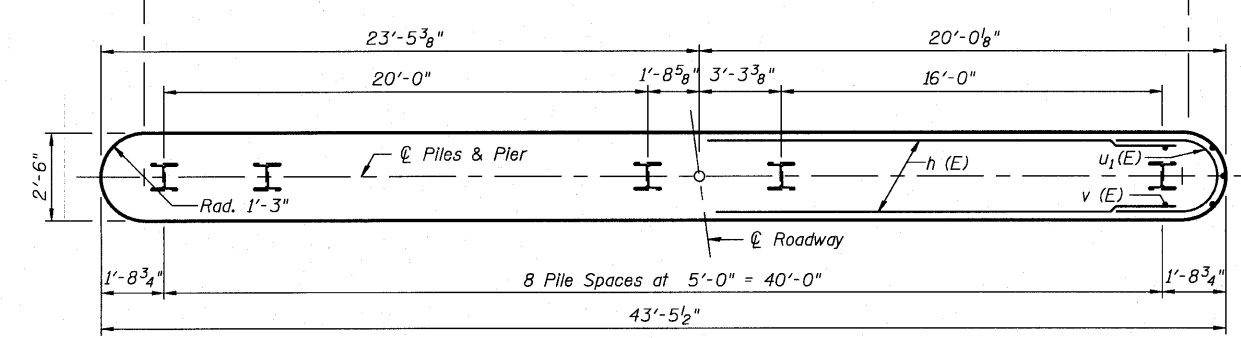
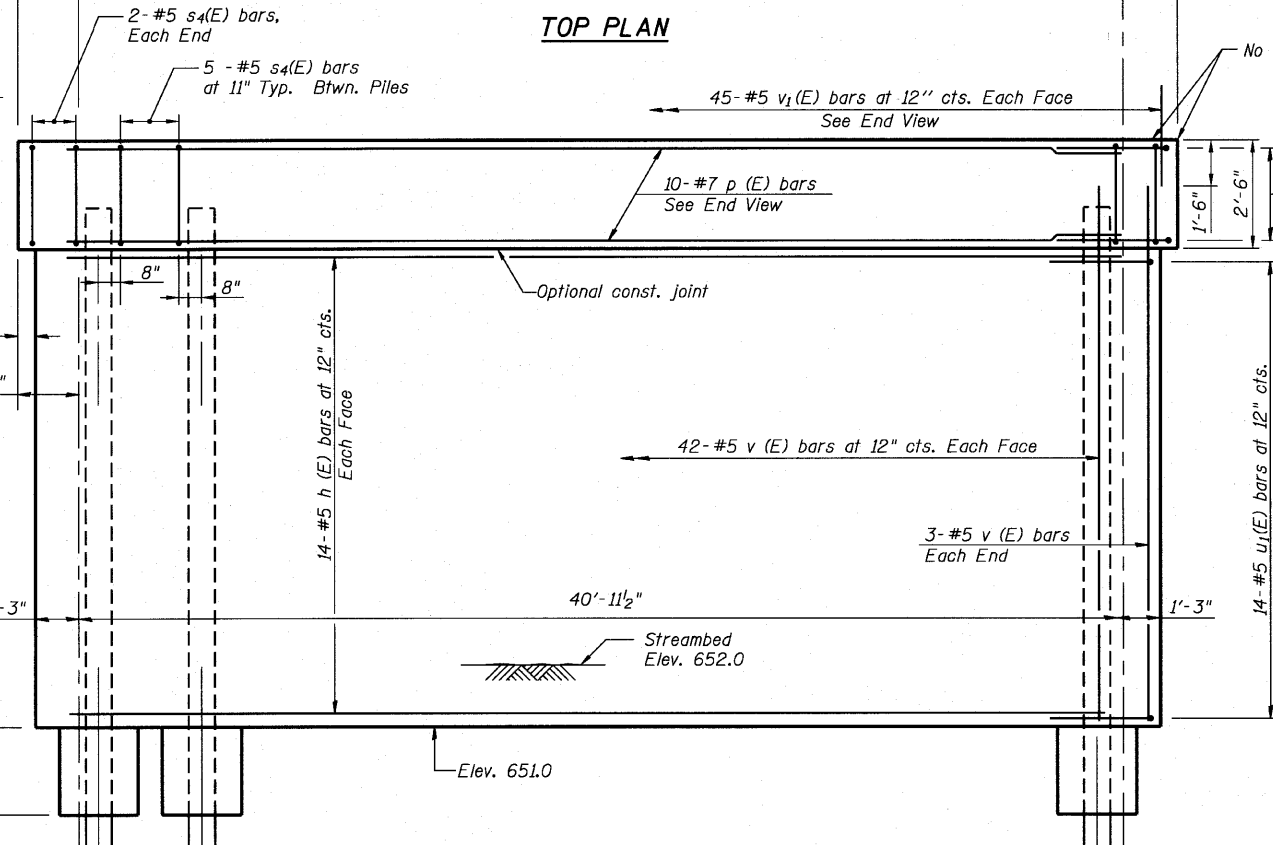
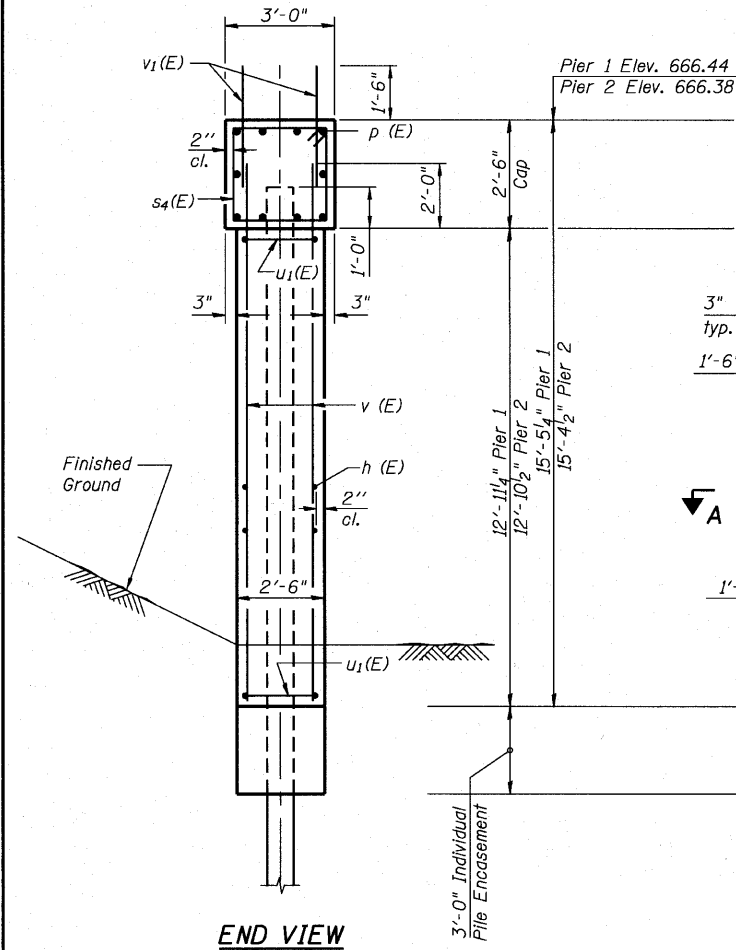
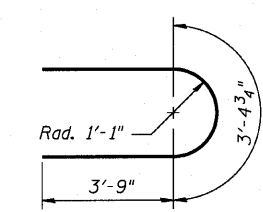
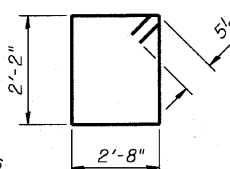
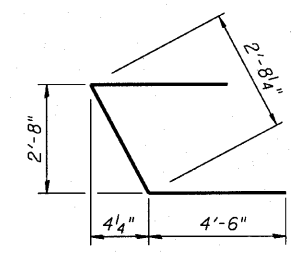
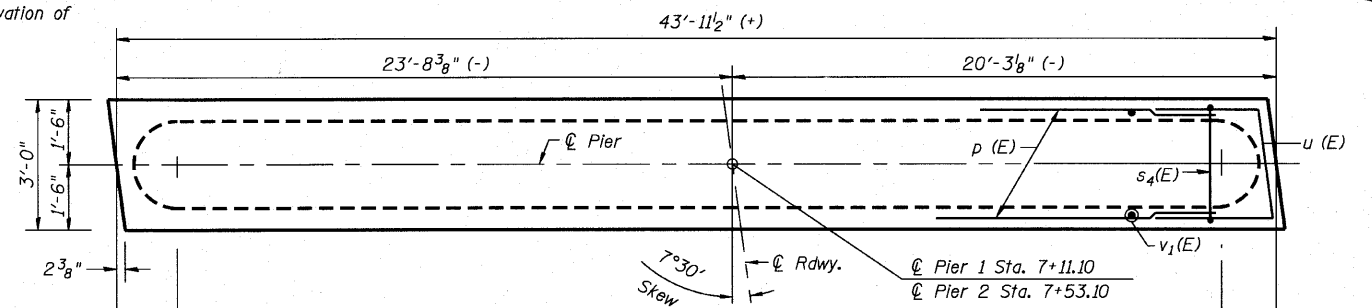
PIER 1 - BILL OF MATERIAL

Bar	No.	Size	Length	Shape
h(E)	28	#5	38'-0"	—
p(E)	10	#7	40'-0"	—
s ₄ (E)	44	#5	10'-7"	□
u(E)	6	#6	11'-9"	⌒
u ₁ (E)	28	#5	10'-11"	⌒
v(E)	90	#5	15'-0"	—
v ₁ (E)	90	#5	3'-0"	—
Structure Excavation			Cu. Yd.	17
Concrete Structures			Cu. Yd.	51.4
Reinforcement Bars, Epoxy Coated			Pound	4,530
Furnishing Steel Piles, HP 12X53			Foot	328
Driving Piles			Foot	328
Test Pile Steel HP 12X53			Each	1
Pile Shoes			Each	9
Concrete Encasement Underwater Structure Excavation Protection - Location 1			Each	1

PIER 2 - BILL OF MATERIAL

Bar	No.	Size	Length	Shape
h(E)	28	#5	38'-0"	—
p(E)	10	#7	40'-0"	—
s ₄ (E)	44	#5	10'-7"	□
u(E)	6	#6	11'-9"	⌒
u ₁ (E)	28	#5	10'-11"	⌒
v(E)	90	#5	15'-0"	—
v ₁ (E)	90	#5	3'-0"	—
Structure Excavation			Cu. Yd.	17
Concrete Structures			Cu. Yd.	51.2
Reinforcement Bars, Epoxy Coated			Pound	4,530
Furnishing Steel Piles, HP 12X53			Foot	352
Driving Piles			Foot	352
Test Pile Steel HP 12X53			Each	1
Pile Shoes			Each	9
Concrete Encasement Underwater Structure Excavation Protection - Location 2			Each	1

**PIERS 1 AND 2
STRUCTURE NUMBER 022-6649**



DESIGNED -	JJI
CHECKED -	SRT
DRAWN -	GM
CHECKED -	JJI

PC-1 11-1-09



SHEET NO. 16 18 SHEETS	F.A. RTE.	SECTION	COUNTY	TOTAL SHEETS	SHEET NO.
	-	03-00050-00-BR	DuPAGE	45	37
FED. ROAD DIST. NO.			ILLINOIS FED. AID PROJECT	CONTRACT NO. 63468	
				BRM-8003 (676)	