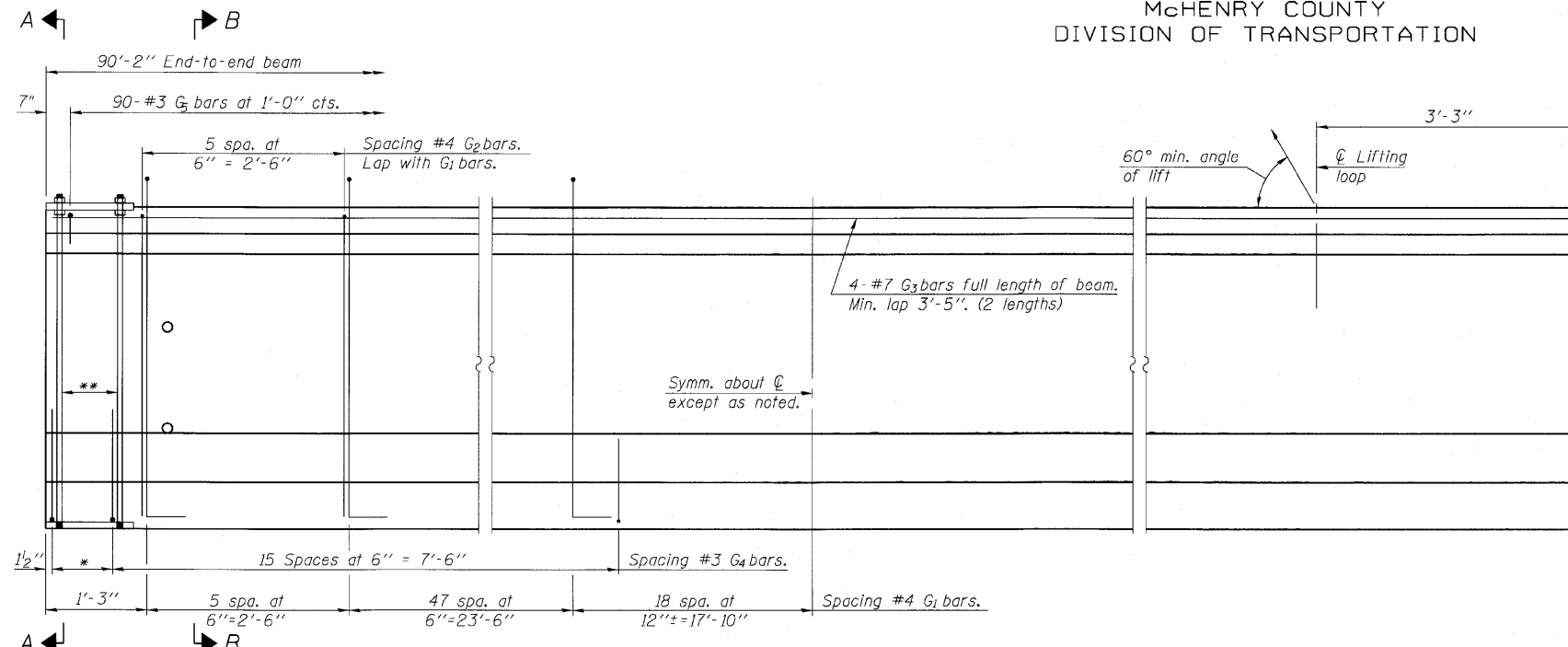


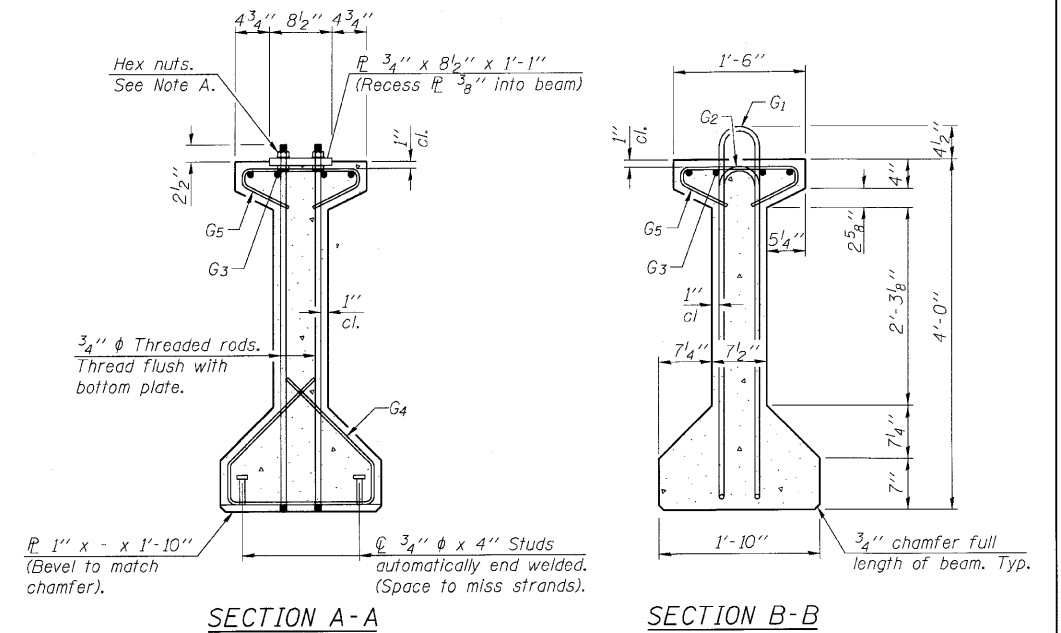
McHENRY COUNTY
DIVISION OF TRANSPORTATION



ELEVATION OF BEAM
(Showing reinforcement & dimensions)

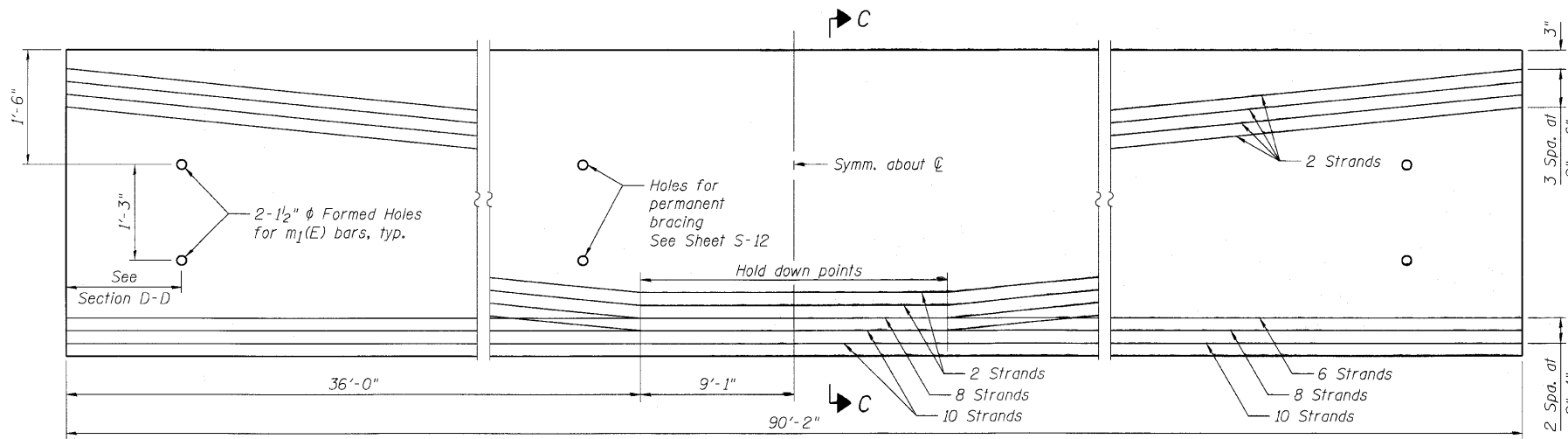
* 3 spaces at 3" = 9".
** 4-3/4" φ threaded dowel rods at 3" cts., Each Face.

Note A:
Hex nuts (top and bottom) with lock washers (top). Only tighten sufficiently to compress lock washers.

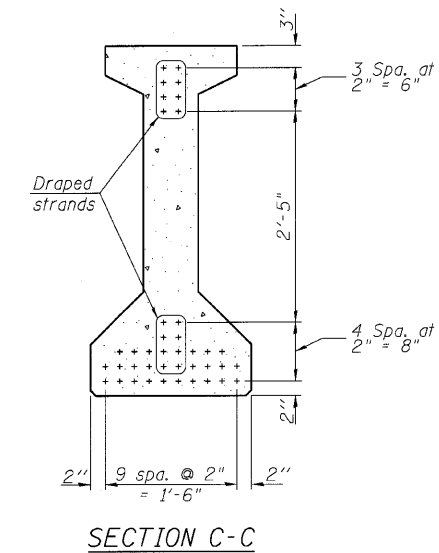


SECTION A-A

SECTION B-B



ELEVATION OF BEAM
(Showing prestressing steel)



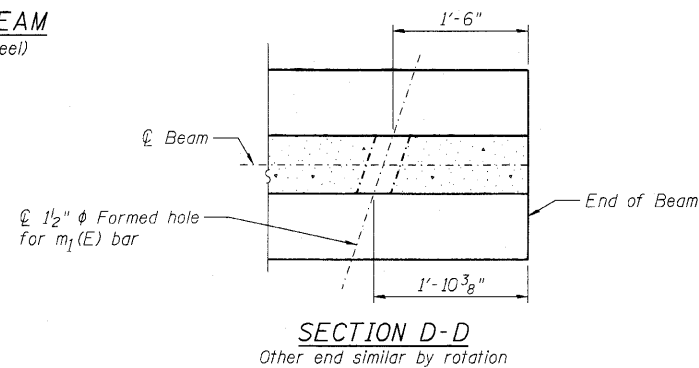
SECTION C-C

*****BAR LIST**
ONE BEAM ONLY

Bar	No.	Size	Length	Shape
G ₁	142	#4	9'-6"	∩ L
G ₂	12	#4	7'-11"	∩
G ₃	8	#7	46'-9"	—
G ₄	38	#3	5'-3"	∩
G ₅	91	#3	2'-9"	∩

***For information only

Notes:
See sheet S-14 for additional details and Bill of Material.
Required release strength, f'ci, shall be 6,000 psi.



SECTION D-D
Other end similar by rotation

DESIGNED -	AMK
CHECKED -	EKM
DRAWN -	RD
CHECKED -	AMK



Ciorba Group, Inc.
CONSULTING ENGINEERS
5507 North Cumberland Avenue, Suite 402 Chicago, Illinois 60656
Tel. 773.775.4009 Fax 773.775.4014 Email chicago@ciorba.com

48" PPC I-BEAM DETAILS 1
STRUCTURE NO. 056-3179

SHEET NO. S-13	F.A.S. RTE. 1233	SECTION 06-00321-00-BR	COUNTY McHENRY	TOTAL SHEETS 48	SHEET NO. 31
S-21 SHEETS			CONTRACT NO. 63516		
ILLINOIS FED. AID PROJECT					

rdentley

8/2/2010

nt:\pro\3381\3381.dbl\ksh\design\structural\cead\3381.dwg 13 48 PPC I-BEAM Details 1.dgn