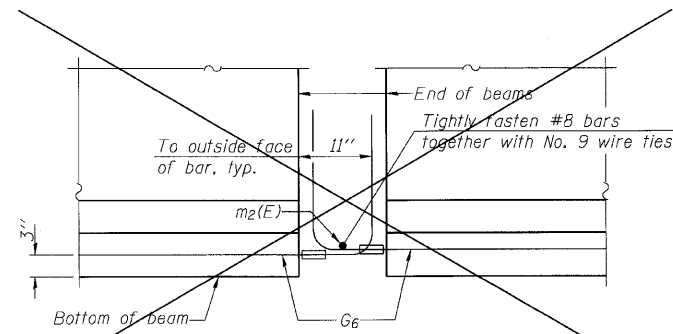
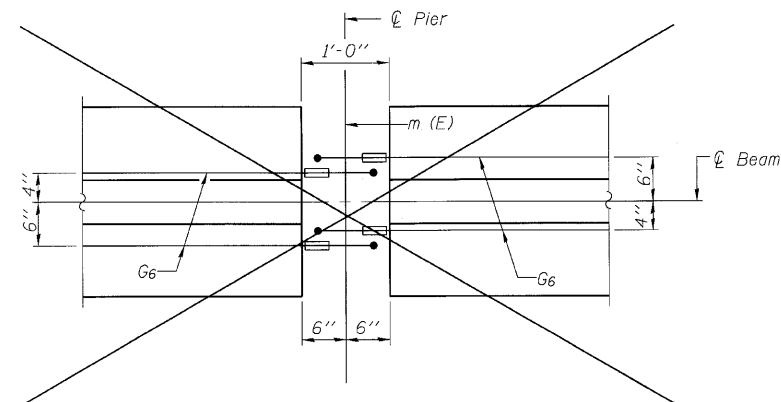


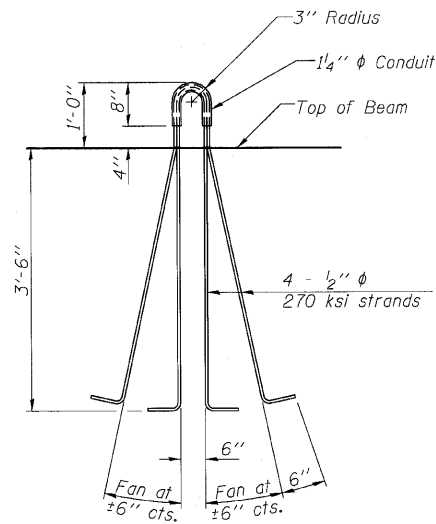
McHENRY COUNTY
DIVISION OF TRANSPORTATION



ELEVATION OF BEAM AT PIER



PLAN OF BEAM AT PIER



LIFTING LOOP DETAIL

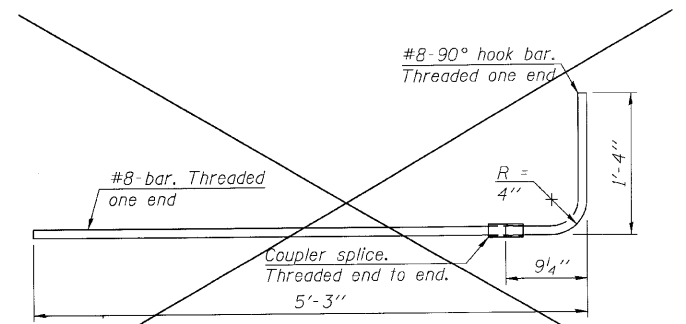
NOTES

Inserts for $\frac{3}{4}$ " ϕ threaded dowel rods, when specified, are to be two strut ferrule type for interior beams and single ferrule, flared loop type for exterior beams. Prestressing steel shall be uncoated high strength, low relaxation 7-wire strand, Grade 270. The nominal diameter shall be $\frac{1}{2}$ " and the nominal cross-sectional area shall be 0.153 sq. in.

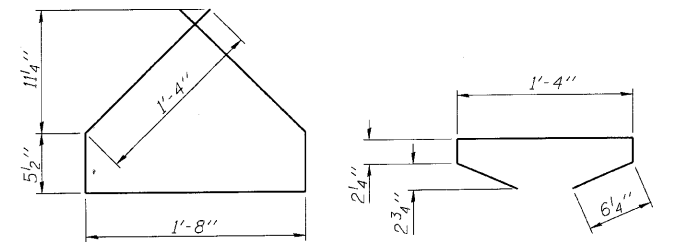
Reinforcement bars shall conform to ASTM A 706, Grade 60. (See Special Provisions). A minimum $2\frac{1}{2}$ " ϕ lifting pin shall be used to engage the lifting loops during handling. ~~Fill G₆ bars when necessary to maintain 1" clearance.~~

The top and bottom plates shall be AASHTO M270 Grade 50. The bottom plates and studs shall be galvanized according to AASHTO M111. Top plates and threaded rods need not be galvanized. Threaded rods shall be ASTM F 1554 Grade 55.

~~The G₆ bar assembly shall have the threaded ends oversized to ensure no reduction in cross-sectional area after threading. The coupler splice shall be capable of developing 125 percent of the yield strength of the reinforcement bar.~~

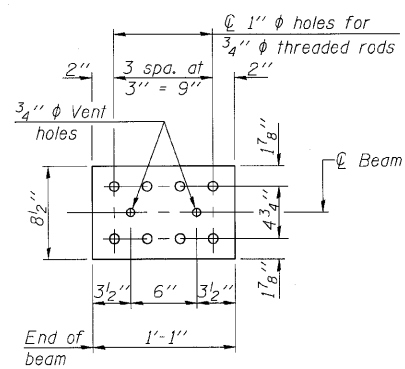


G6 BAR ASSEMBLY

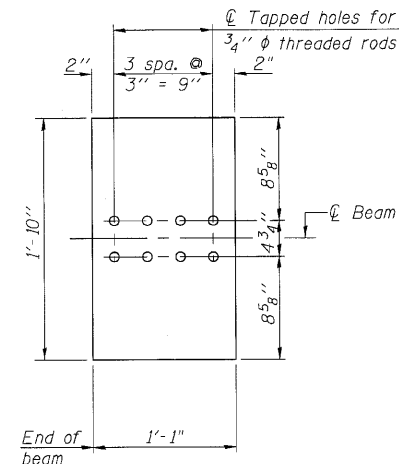


BAR G4

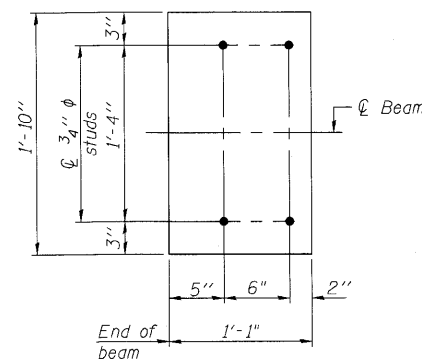
BAR G5



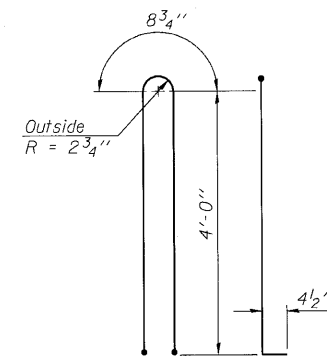
TOP PLATE



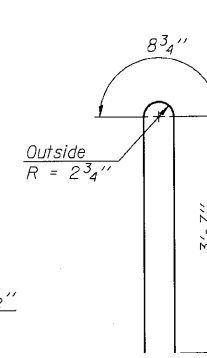
BOTTOM PLATE
(Showing threaded rods)



BOTTOM PLATE
(Showing studs)



BAR G1



BAR G2

BILL OF MATERIAL

Item	Unit	Total
Furnishing and Erecting Precast Prestressed Concrete I-Beams, 48"	Ft.	631.5

**48" PPC I-BEAM DETAILS 2
STRUCTURE NO. 056-3179**

SHEET NO.	F.A.S. RTE.	SECTION	COUNTY	TOTAL SHEETS	SHEET NO.
S-14	1233	06-00321-00-BR	McHENRY	48	32
			CONTRACT NO. 63516		
ILLINOIS FED. AID PROJECT					

DESIGNED - AMK
CHECKED - EKM
DRAWN - RD
CHECKED - AMK



Giorba Group, Inc.
CONSULTING ENGINEERS
5507 North Cumberland Avenue, Suite 402 Chicago, Illinois 60656
Tel. 773.775.4009 Fax 773.775.4014 Email chicago@giorba.com

See bearing details for pintle hole locations when required.

PI-4-48D

11-1-09

8/2/2010

m:\pro\3381\3381\01_kish\design\structural\cead\3381.01.14_48_PPC_I-BEAM_Details_2.dgn