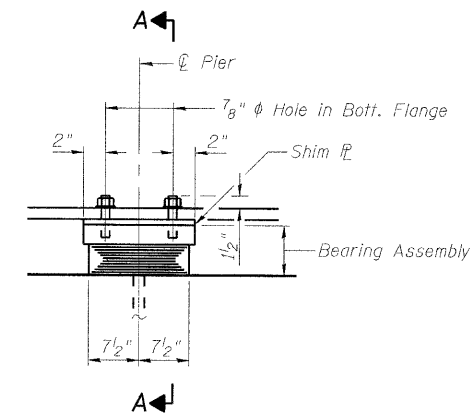
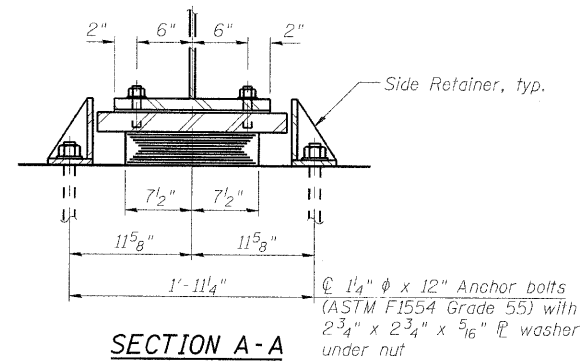


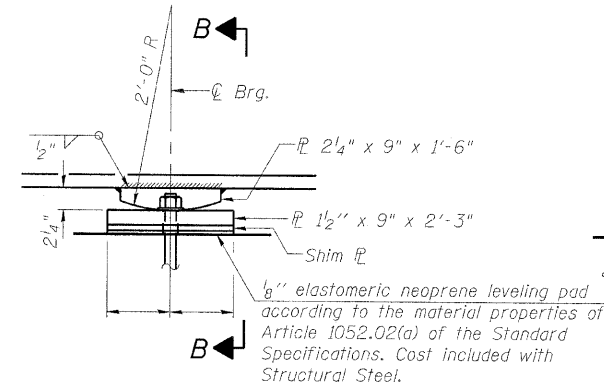
STATE OF ILLINOIS
DEPARTMENT OF TRANSPORTATION



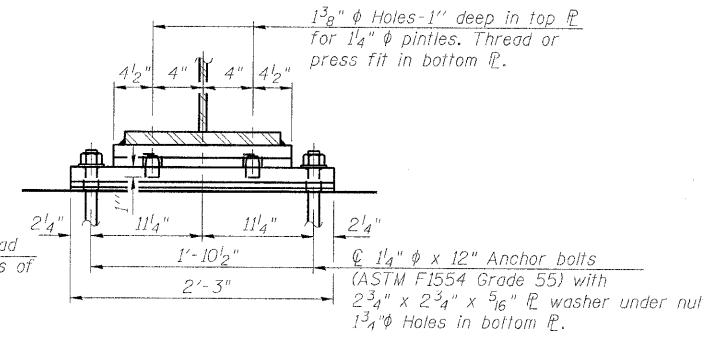
ELEVATION AT PIER



SECTION A-A



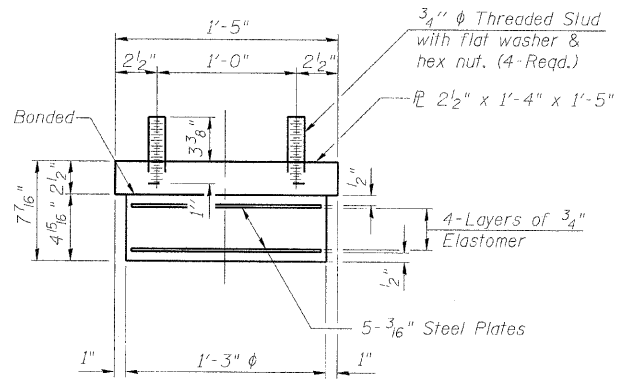
ELEVATION AT PIER 2



SECTION B-B

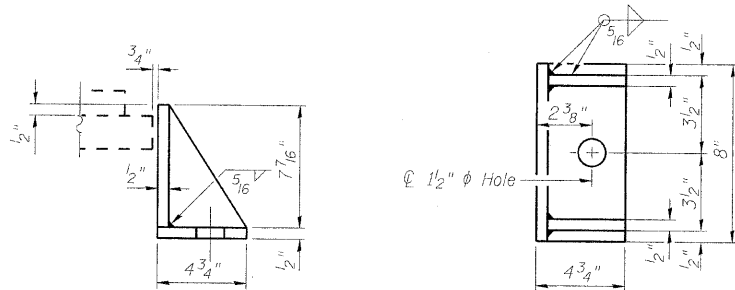
FIXED BEARING AT PIER 2

TYPE I ELASTOMERIC EXP. BRG. AT PIERS 1 AND 3



BEARING ASSEMBLY

Note:
Shim plates shall not be placed under Bearing Assembly.



SIDE RETAINER

Equivalent rolled angle with stiffeners will be allowed in lieu of welded plates.

Notes:

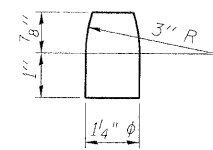
Anchor bolts shall be ASTM F1554 all-thread (or an Engineer-approved alternate material) of the grade(s) and diameter(s) specified. The corresponding specified grade of AASHTO M314 anchor bolts may be used in lieu of ASTM F1554.

Anchor bolts at fixed bearings may be either cast in place or installed in holes drilled after the supported member is in place.

Anchor bolts for side retainers may be cast in place or installed in holes drilled before or after members are in place.

Drilled and set anchor bolts shall be installed according to Article 521.06 of the Standard Specifications.

Side retainers and other steel members required for the elastomeric bearing assembly shall be included in the cost of Elastomeric Bearing Assembly, Type I (Special).



PINTLE

REQUIRED SHIM PLATE TABLES

PIER 1

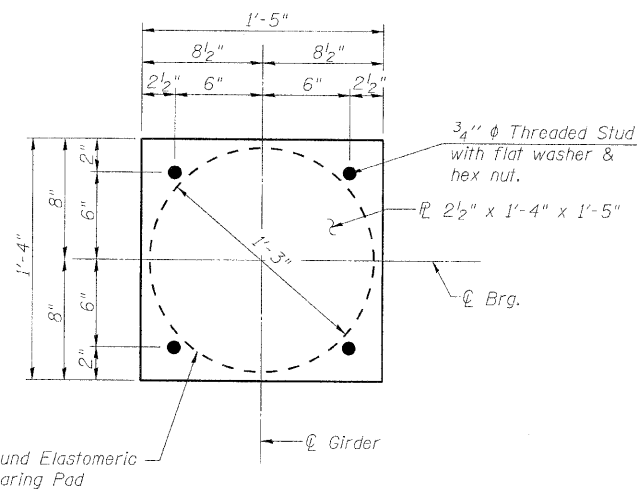
Girder	Size (in.)	Thickness
8	1'-4" x 1'-5"	5/8"
10	1'-4" x 1'-5"	5/8"
12	1'-4" x 1'-5"	1/2"
14	1'-4" x 1'-5"	1/2"
16	1'-4" x 1'-5"	3/8"
18	1'-4" x 1'-5"	3/8"
19	1'-4" x 1'-5"	5/8"
21	1'-4" x 1'-5"	1/4"

PIER 2

Girder	Size (in.)	Thickness
2	9" x 2'-3"	3/8"
3	9" x 2'-3"	5/8"
5	9" x 2'-3"	5/8"
6	9" x 2'-3"	3/8"
7	9" x 2'-3"	5/8"
8	9" x 2'-3"	5/8"
10	9" x 2'-3"	1/2"
12	9" x 2'-3"	1/2"
13	9" x 2'-3"	1/4"
14	9" x 2'-3"	1/4"
15	9" x 2'-3"	3/8"
16	9" x 2'-3"	3/8"
17	9" x 2'-3"	1/2"
18	9" x 2'-3"	1/2"
19	9" x 2'-3"	5/8"
20	9" x 2'-3"	5/8"
21	9" x 2'-3"	5/8"

PIER 3

Girder	Size (in.)	Thickness
1	1'-4" x 1'-5"	3/8"
2	1'-4" x 1'-5"	1/4"
4	1'-4" x 1'-5"	1/8"
5	1'-4" x 1'-5"	5/8"
6	1'-4" x 1'-5"	1/2"
7	1'-4" x 1'-5"	3/8"
8	1'-4" x 1'-5"	1/4"
9	1'-4" x 1'-5"	1/8"
17	1'-4" x 1'-5"	1/8"
18	1'-4" x 1'-5"	1/4"
19	1'-4" x 1'-5"	3/8"
20	1'-4" x 1'-5"	1/2"



PLAN AT EXPANSION BEARING

BILL OF MATERIAL

Item	Unit	Total
Elastomeric Bearing Assembly Type I (Special)	Each	42
Anchor Bolts, 1 1/4"	Each	126

Note:
Two 1/8 in. adjusting shims shall be provided for each bearing in addition to all other plates or shims and placed as shown on bearing details.

BEARING DETAILS (1 OF 2)
STRUCTURE NO. 101-0190

DESIGNED - JY
CHECKED - GSP
DRAWN - MJB
CHECKED - JY

SHEET NO. 43 61 SHEETS	F.A. RTE.	SECTION	COUNTY	TOTAL SHEETS	SHEET NO.
	*	1-HBR & 1-2HB-D	WINNEBAGO	216	98
		IL RTE 251 & FOREST HILLS RD		CONTRACT NO. 64B79	
		FED. ROAD DIST. NO. 7		ILLINOIS FED. AID PROJECT	

* F.A.P. 303 & F.A.U. 5146

Revised 10/25/10 BHS