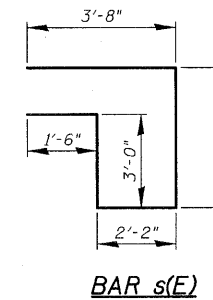
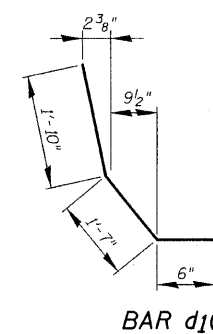
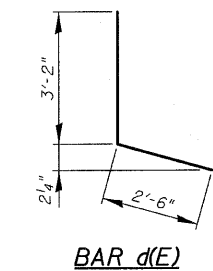
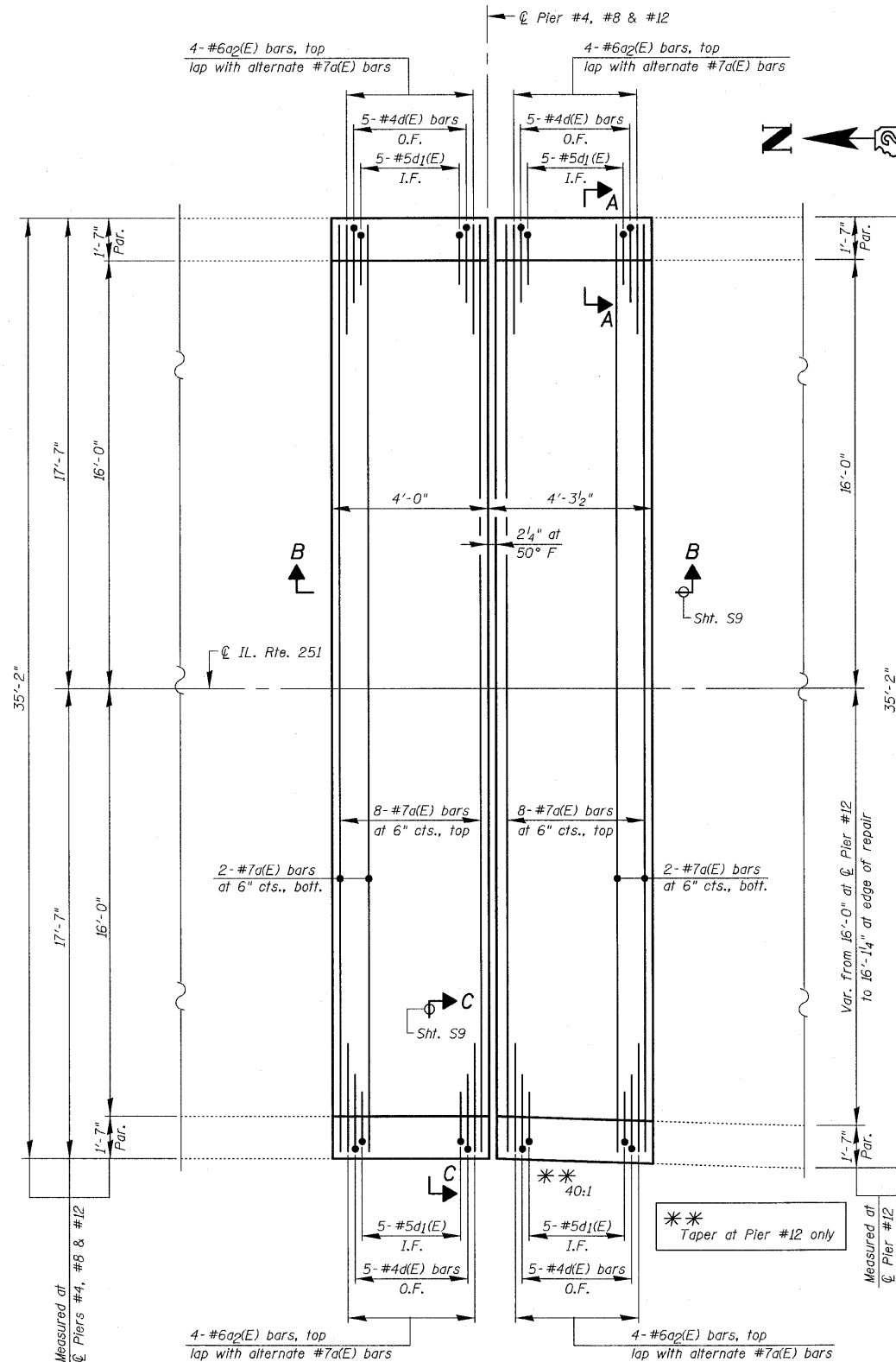
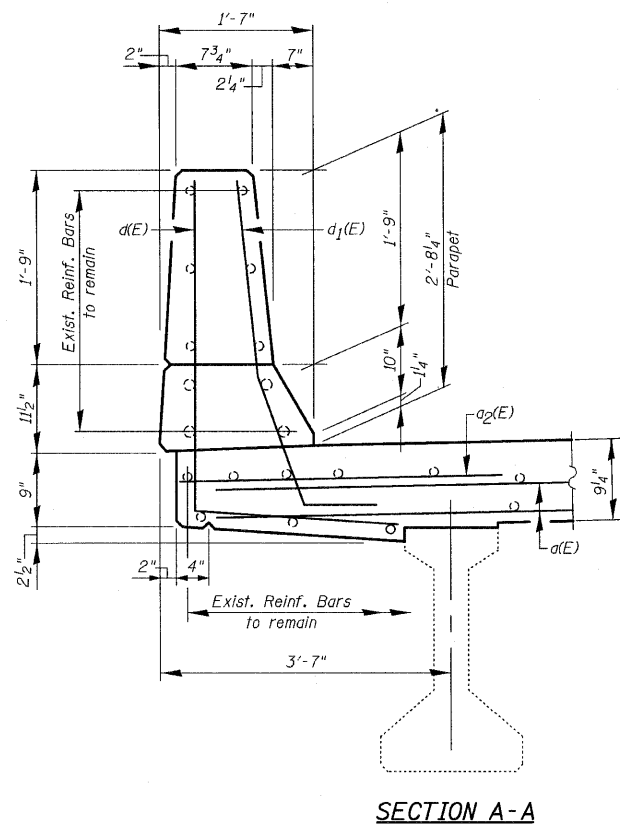


STATE OF ILLINOIS
DEPARTMENT OF TRANSPORTATION



REINFORCEMENT BAR LIST

(For one Expansion Jt.)
(3 thus)

Bar	No.	Size	Length	Shape
a(E)	20	#7	34'-4"	—
a2(E)	16	#6	4'-7"	—
d(E)	20	#4	5'-8"	L
d1(E)	20	#5	3'-11"	L
m(E)	32	#4	6'-4"	—
m1(E)	16	#6	5'-0"	—
s(E)	40	#4	13'-8"	U

BILL OF MATERIAL

(For Expansion Joint Reconstruction
at Piers #4, #8 plus #12)

Reinforcement Bars, Epoxy Coated	Pound	6,870
Concrete Removal	Cu Yd	42.0
Concrete Superstructure	Cu Yd	75.6

LEGEND:

O.F. = Outside Face
I.F. = Inside Face
E.F. = Each Face

DESIGNED -	2010
CHECKED -	EXAMINED
DRAWN -	PASSED
CHECKED -	

ENGINEER OF BRIDGE DESIGN
ENGINEER OF BRIDGES AND STRUCTURES

EXPANSION JOINT RECONSTRUCTION
AT PIERS #4, #8 & #12

PLAN

CHRISTIAN-ROGE & ASSOCIATES, INC.
ENGINEERS-PLANNERS-SURVEYORS
211 WEST WACKER DRIVE
CHICAGO, ILLINOIS 60606
PHONE: (312)372-2023 FAX: (312)372-5274

SHEET NO. S8	F.A.P. RTE.	SECTION	COUNTY	TOTAL SHEETS	SHEET NO.
S43 SHEETS	740	(108HVB)M	OGLE	55	15
			CONTRACT NO. 64G24		
ILLINOIS FED. AID PROJECT					

EXPANSION JOINT &
DIAPHRAGM RECONSTRUCTION
AT PIERS #4, #8 & #12
IL. RTE. 251 OVER IL. RTE. 38
C&NW R.R. AND B.N. R.R.
F.A.P. RTE. 740 (IL. RTE. 251)
SECTION (108HVB)M
OGLE COUNTY
STA. 856+44.00
STRUCTURE NO. 071-0066