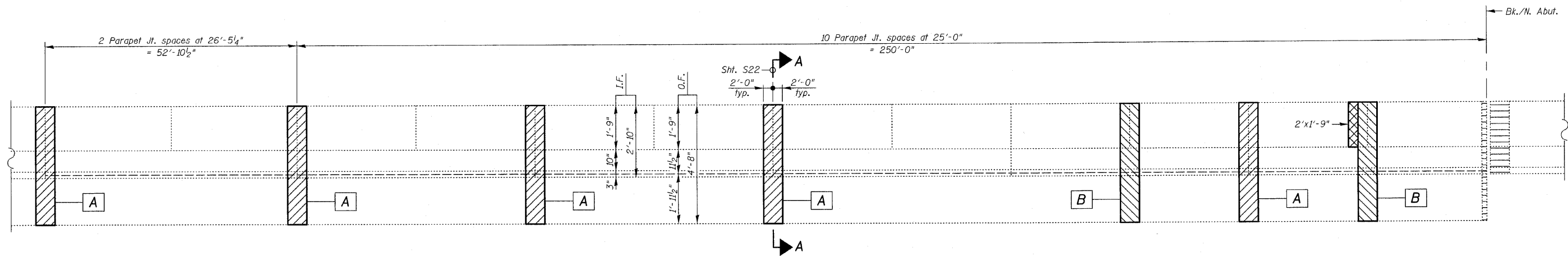
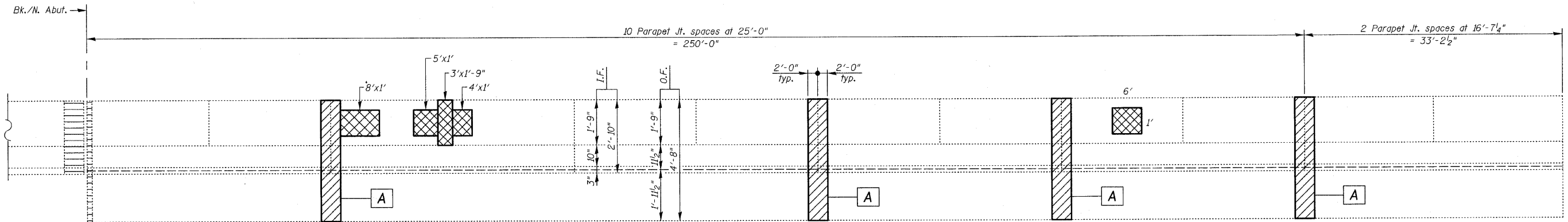


STATE OF ILLINOIS
DEPARTMENT OF TRANSPORTATION



ELEVATION
(Showing inside face of East Parapet above MSE Retaining Wall D)

NOTE:
MSE Retaining Wall omitted for clarity



ELEVATION
(Showing inside face of West Parapet above MSE Retaining Wall C)

LEGEND:
I.F. = Inside Face
O.F. = Outside Face

LEGEND:

- Approach Slab Parapet Joint Repair (Joint Type "A")
- Approach Slab Parapet Joint Repair (Joint Type "B")
- Structural Repair of Concrete (Depth Equal To or Less Than 5 Inches)
- Bridge Deck Expansion Joint Reconstruction
- Joint Type

NORTH APPROACH SLAB

NOTES:

See Sht's. S8 thru S13 for Bridge Deck Expansion Joint Reconstruction details.
See Sht. S22 for Approach Slab Parapet Joint Repair details.
Joint Type A has 1/8" Aluminum Sheet in base of Parapet.
Joint Type B contains no Aluminum Sheet.

BILL OF MATERIAL
(For East Parapet)

ITEM	UNIT	QUANTITY
Structural Repair of Concrete (Depth Equal To or Less Than 5 Inches)	Sq Ft	32
Protective Coat (Special)	Sq Yd	230
Surface Filler (Special)	Gallon	1

* The locations to apply Surface Filler (Special) to be determined by the Engineer in accordance with the Special Provisions.
* * To be applied to the top & inside face of entire parapet.

**NORTH APPROACH SLAB
PARAPET REPAIRS
IL. RTE. 251 OVER IL. RTE. 38
C&NW R.R. AND B.N. R.R.
F.A.P. RTE. 740 (IL. RTE. 251)
SECTION (108HVB)M
OGLE COUNTY
STA. 856+44.00
STRUCTURE NO. 071-0066**

DESIGNED -	
CHECKED -	
DRAWN -	
CHECKED -	

2010	
EXAMINED	ENGINEER OF BRIDGE DESIGN
PASSED	ENGINEER OF BRIDGES AND STRUCTURES

CR & A
CHRISTIAN-ROGE & ASSOCIATES, INC.
ENGINEERS-PLANNERS-SURVEYORS
211 WEST WACKER DRIVE
CHICAGO, ILLINOIS 60606
PHONE: (312)372-2023 FAX: (312)372-5274

SHEET NO. S20	F.A.P. RTE. 740	SECTION (108HVB)M	COUNTY OGLE	TOTAL SHEETS 55	SHEET NO. 27
S43 SHEETS	CONTRACT NO. 64G24		ILLINOIS FED. AID PROJECT		