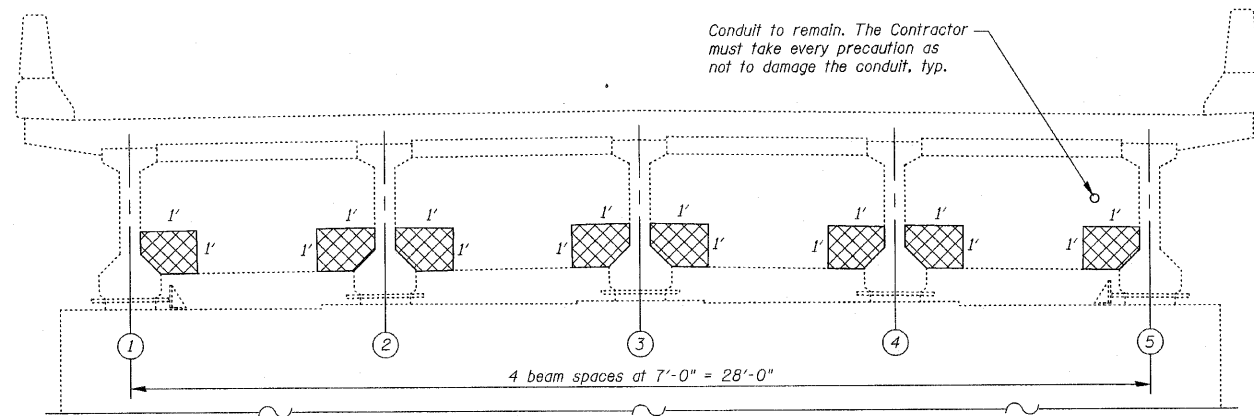
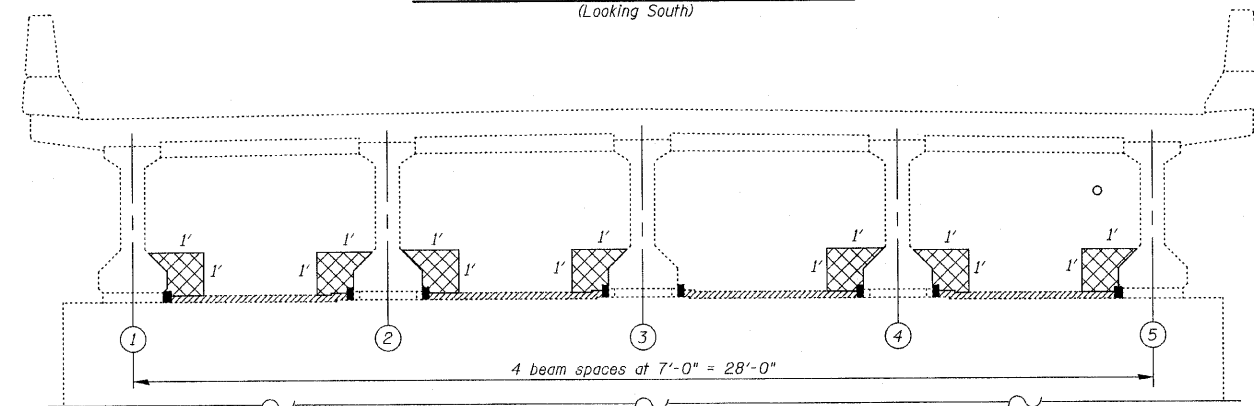


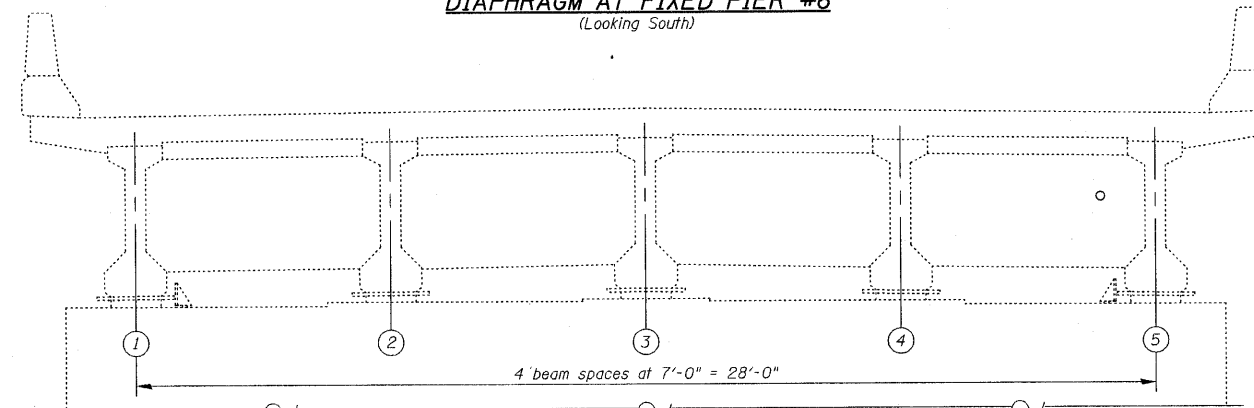
STATE OF ILLINOIS
DEPARTMENT OF TRANSPORTATION



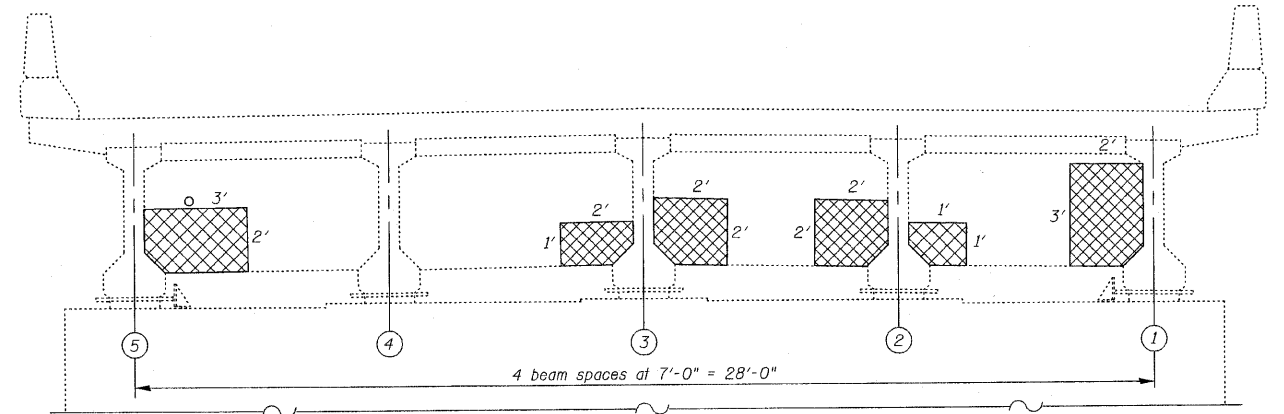
DIAPHRAGM AT EXPANSION PIER #5
(Looking South)



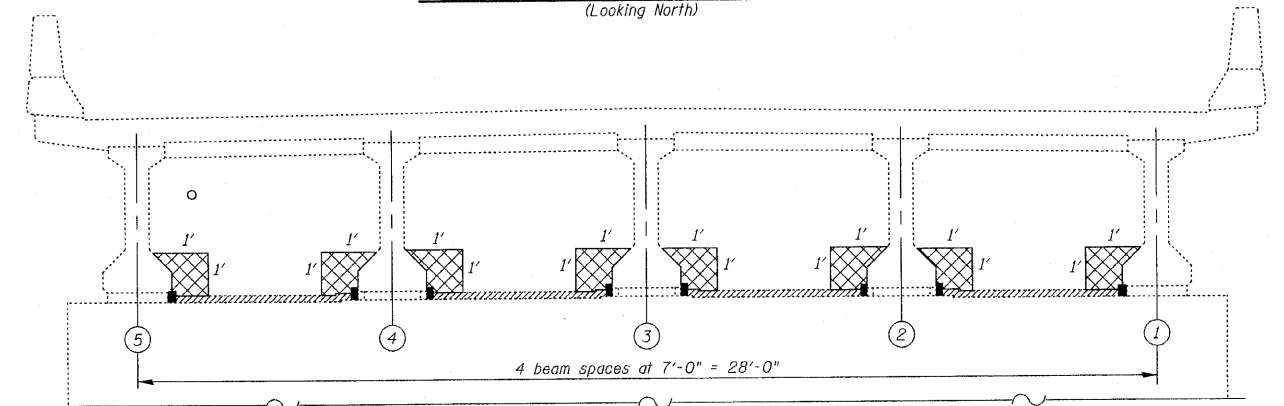
DIAPHRAGM AT FIXED PIER #6
(Looking South)



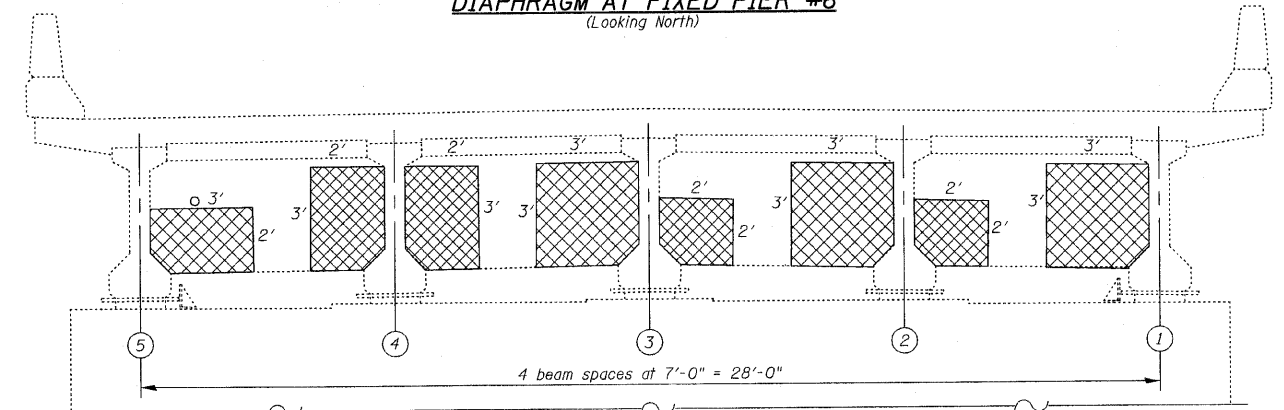
DIAPHRAGM AT EXPANSION PIER #7
(Looking South)
(No Repairs)



DIAPHRAGM AT EXPANSION PIER #5
(Looking North)



DIAPHRAGM AT FIXED PIER #6
(Looking North)




DIAPHRAGM AT EXPANSION PIER #7
(Looking North)

DIAPHRAGM REPAIRS-II
IL. RTE. 251 OVER IL. RTE. 38
C&NW R.R. AND B.N. R.R.
F.A.P. RTE. 740 (IL. RTE. 251)
SECTION (108HVB)M
OGLE COUNTY
STA. 856+44.00
STRUCTURE NO. 071-0066

BILL OF MATERIAL

ITEM	UNIT	QUANTITY
Structural Repair of Concrete (Depth Equal To or Less Than 5 Inches)	Sq Ft	99

LEGEND:

 Structural Repair of Concrete
(Depth Equal To or Less Than 5 Inches)

DESIGNED -	2010
CHECKED -	EXAMINED
DRAWN -	PASSED
CHECKED -	

ENGINEER OF BRIDGE DESIGN
ENGINEER OF BRIDGES AND STRUCTURES

CR CHRISTIAN-ROCE & ASSOCIATES, INC.
ENGINEERS-PLANNERS-SURVEYORS
211 WEST WACKER DRIVE
CHICAGO, ILLINOIS 60606
PHONE: (312)372-2023 FAX: (312)372-5274

SHEET NO. S24 S43 SHEETS	F.A.P. RTE. 740	SECTION (108HVB)M	COUNTY OGLE	TOTAL SHEETS 55	SHEET NO. 31
	CONTRACT NO. 64G24			ILLINOIS FED. AID PROJECT	