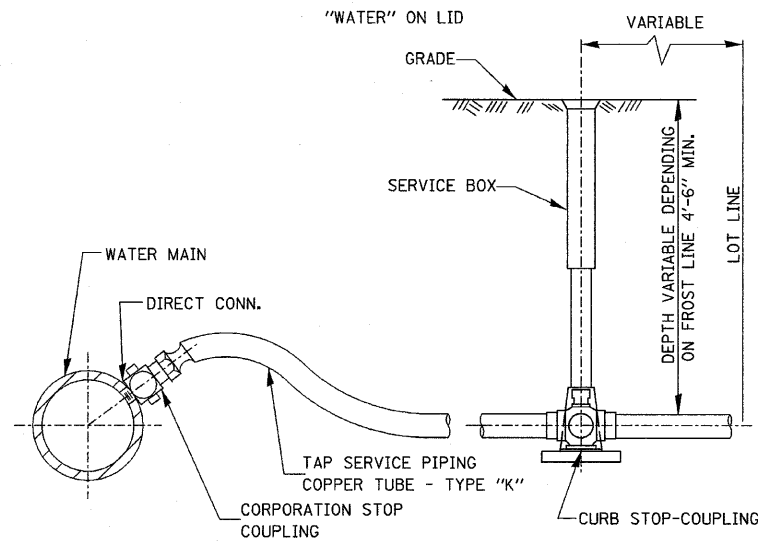
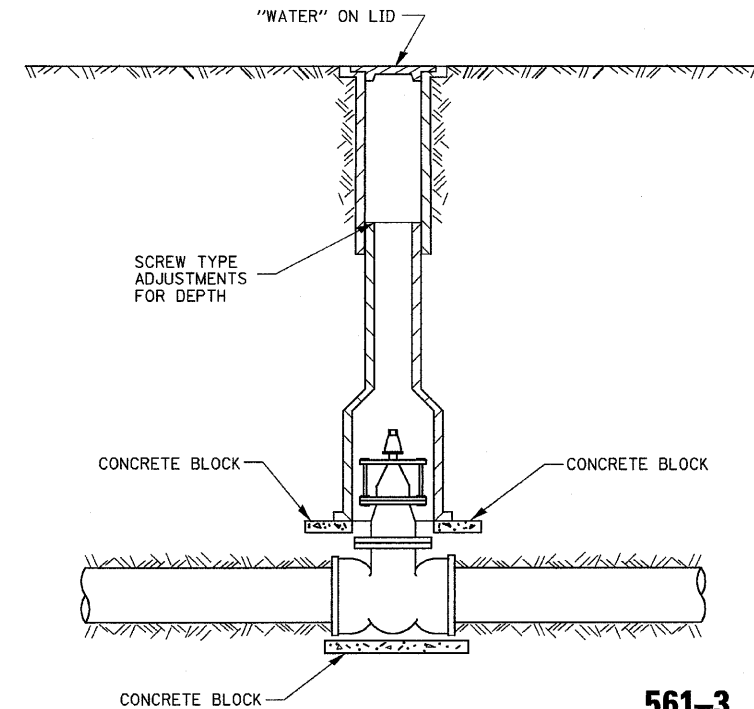


TYPICAL HYDRANT INSTALLATION 561-1



TYPICAL TAP SERVICE PIPING (COPPER)

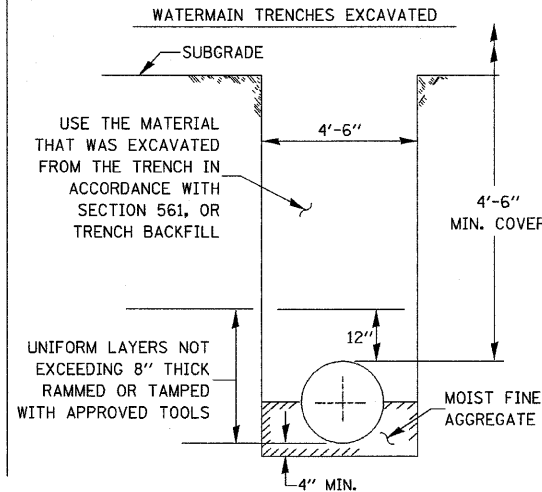
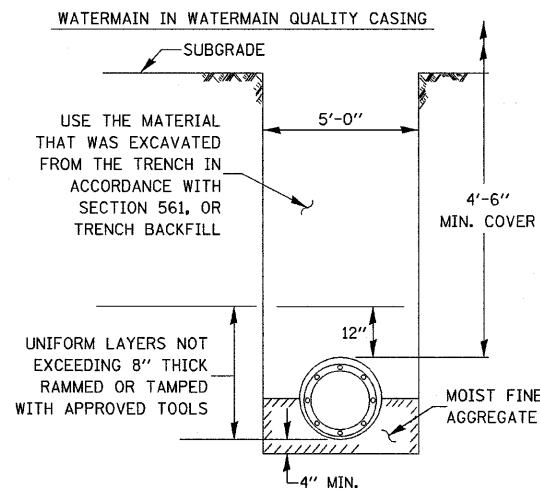
562-1



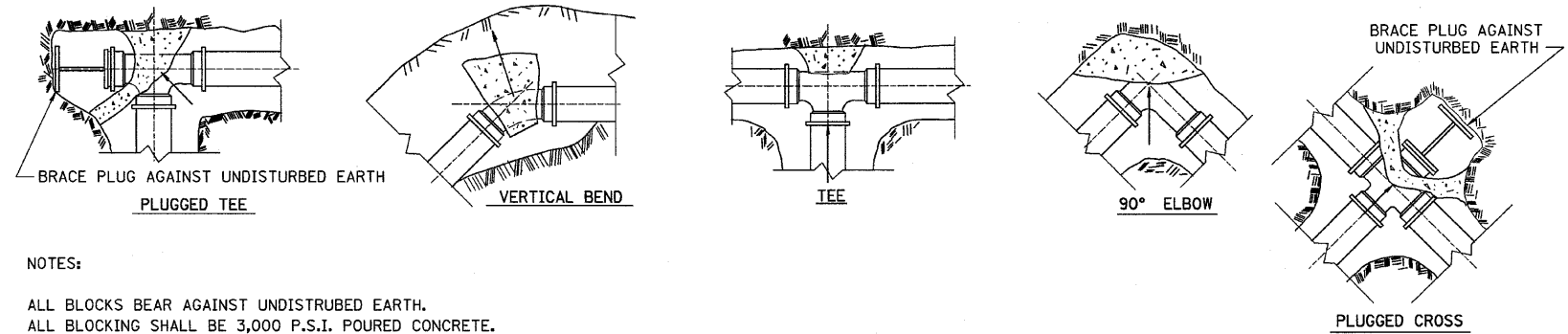
561-3

TYPICAL VALVE BOX INSTALLATION

WATERMAIN INSTALLATION REQUIREMENTS



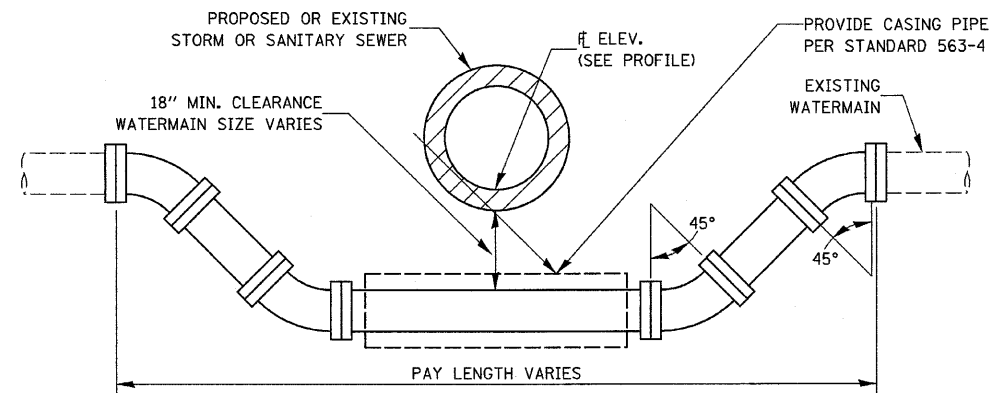
- GENERAL NOTES:
1. ANY SOFT OR SPONGY MATERIAL ENCOUNTERED BELOW THE ELEVATION OF THE PIPE SHALL BE REMOVED AND REPLACED WITH WELL COMPACTED MOIST FINE AGGREGATE.
 2. ANY ROCK ENCOUNTERED IN THE TRENCH SHALL BE REMOVED TO A DEPTH OF AT LEAST 8 INCHES BELOW THE PIPE GRADE AND REPLACED WITH WELL COMPACTED MOIST FINE AGGREGATE.
 3. THE SIDES OF THE TRENCH MAY BE SLOPED OR BENCHED ABOVE A 5 FT. TRENCH DEPTH OR ABOVE THE ELEVATION OR THE TOP OF PIPE, WHICHEVER IS GREATER, IN LIEU OF COMPLETE SHORING OR SHEETING OF THE FULL TRENCH DEPTH.
- BACKFILL OPTIONS:
- METHOD 1: UNIFORM LAYERS NOT EXCEEDING 12" THICK RAMMED OR TAMPED WITH APPROVED TOOLS
- METHOD 2: UNIFORM LAYERS NOT EXCEEDING 12" THICK INUNDATED OR DEPOSITED IN WATER
- METHOD 3: FILL TRENCH WITH LOOSE MATERIAL THEN JET WITH WATER, 6 FT MINIMUM SPACING OF HOLES



- NOTES:
- ALL BLOCKS BEAR AGAINST UNDISTURBED EARTH.
 - ALL BLOCKING SHALL BE 3,000 P.S.I. POURED CONCRETE.
 - ARROWS INDICATE DIRECTION OF THRUST.
 - ALL FITTINGS SHOWN IN PLAN EXCEPT VERTICAL BEND.

TYPICAL THRUST BLOCK INSTALLATIONS

561-5



ADJUSTING WATERMAIN DETAIL

FILE NAME = D366547-SHT-WMDETAILS.DGN

USER NAME = ---	DESIGNED - AMF	REVISED -
PLOT SCALE = NONE	DRAWN - LAG	REVISED -
PLOT DATE = 08/10	CHECKED - JKC	REVISED -
	DATE - 08/10	REVISED -

STATE OF ILLINOIS
DEPARTMENT OF TRANSPORTATION

WATER MAIN DETAILS			
SCALE: NONE	SHEET NO. OF SHEETS	STA. TO STA.	

F.A.S. RTE. 1279	SECTION 6R,B	COUNTY LASALLE	TOTAL SHEETS 190	SHEET NO. 58
CONTRACT NO. 66547				
FED. ROAD DIST. NO. ILLINOIS FED. AID PROJECT				