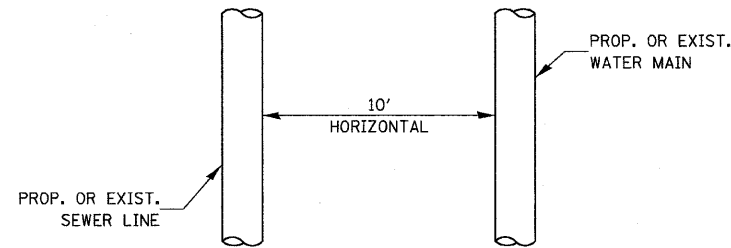
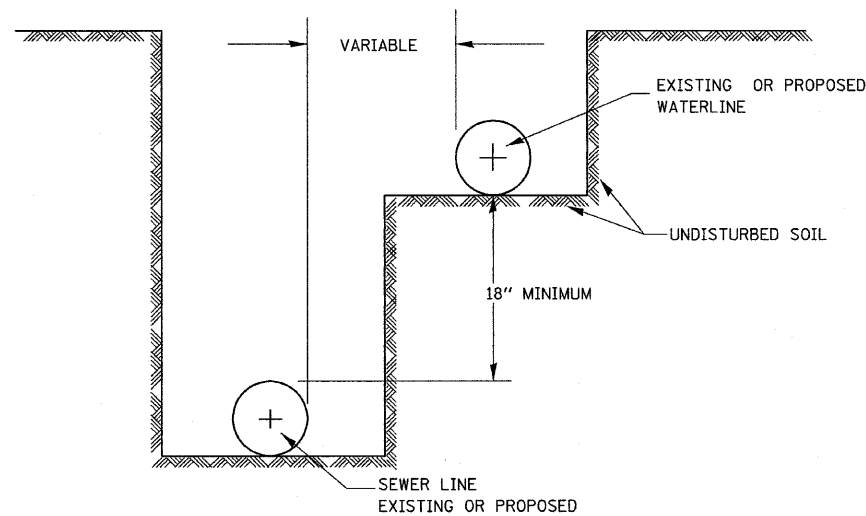


PROPOSED SEWER (OR WATER) IS LOCATED 10 FEET OR MORE FROM EXISTING WATER (OR SEWER).



PLAN VIEW

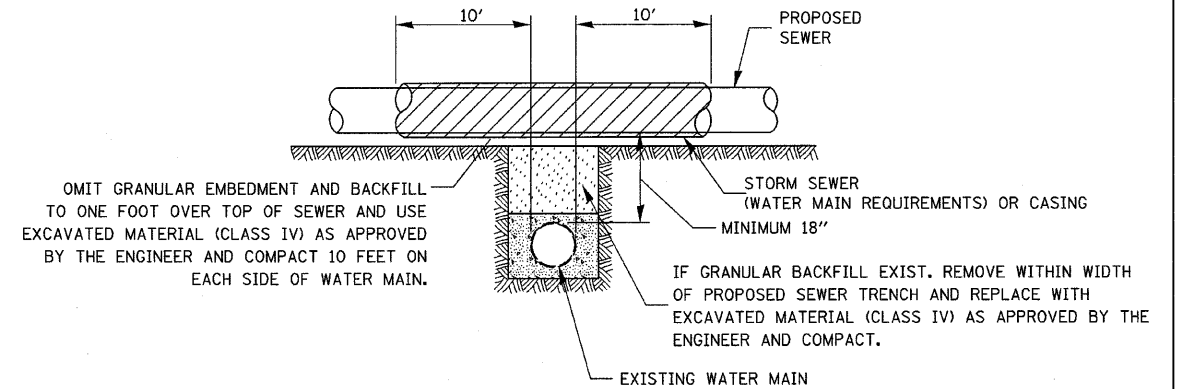
PROPOSED SEWER (OR WATER) IS LOCATED LESS THAN 10 FEET FROM EXISTING WATER (OR SEWER).



**WATER AND SEWER SEPARATION REQUIREMENTS – HORIZONTAL SEPARATION**

563-3

PROVIDE ADEQUATE SUPPORT FOR SEWER TO PREVENT SETTLING AND BREAKING THE WATER MAIN.



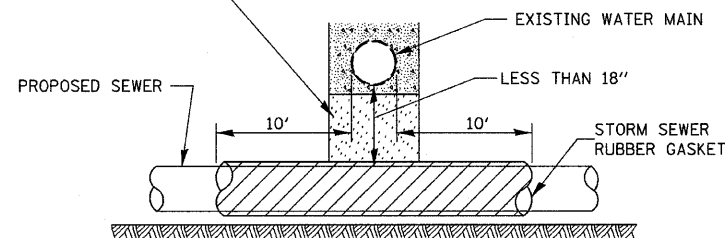
CASING SHALL BE OF WATERMAIN MATERIAL WITH AN INSIDE DIAMETER 2" LARGER IN DIAMETER THAN ENCASED PIPE OUTSIDE DIAMETER WITH BOTH ENDS OF CASING SEALED

PROPOSED SEWER LINE WITH MINIMUM 18" VERTICAL SEPARATION ABOVE EXISTING WATERMAIN

POINT LOADS SHALL NOT BE ALLOWED BETWEEN SEWER OR SEWER CASING AND WATER MAIN

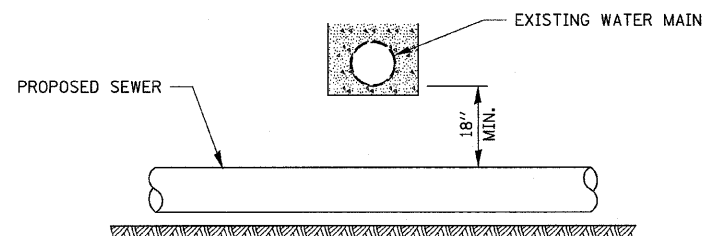
PROVIDE ADEQUATE SUPPORT FOR EXISTING WATER MAIN TO PREVENT DAMAGE DUE TO SETTLEMENT OF SEWER TRENCH

OMIT GRANULAR EMBEDMENT AND BACKFILL TO ONE FOOT OVER TOP OF SEWER AND USE EXCAVATED MATERIAL (CLASS IV) AS APPROVED BY THE ENGINEER AND COMPACT 10 FEET ON EACH SIDE OF WATER MAIN.



PROVIDE ADEQUATE SUPPORT FOR EXISTING WATER MAIN TO PREVENT DAMAGE DUE TO SETTLEMENT OF SEWER TRENCH

MAINTAIN 18" MINIMUM VERTICAL SEPARATION FOR 10' HORIZONTALLY

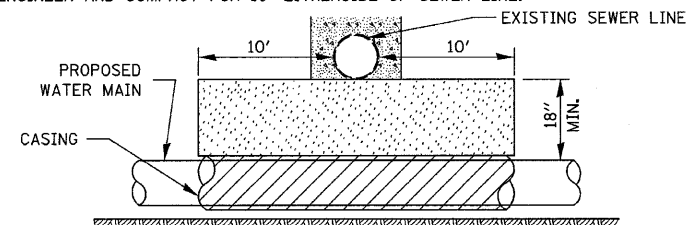


PROPOSED SEWER LINE BELOW EXISTING WATER MAIN

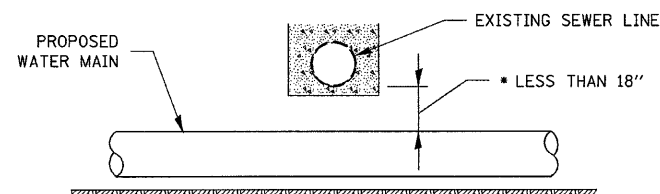
PROVIDE ADEQUATE SUPPORT FOR EXISTING SEWER LINE TO PREVENT DAMAGE DUE TO SETTLEMENT.

IF GRANULAR BACK FILL EXISTS, REMOVE WITHIN WIDTH OF EXISTING SEWER TRENCH AND REPLACE WITH EXCAVATED MATERIAL (CLASS IV) AS APPROVED BY THE ENGINEER AND COMPACT.

OMIT GRANULAR EMBEDMENT AND BACKFILL TO ONE FOOT OVER TOP OF WATER MAIN AND USE EXCAVATED MATERIAL (CLASS IV) AS APPROVED BY THE ENGINEER AND COMPACT FOR 10' EITHER SIDE OF SEWER LINE.



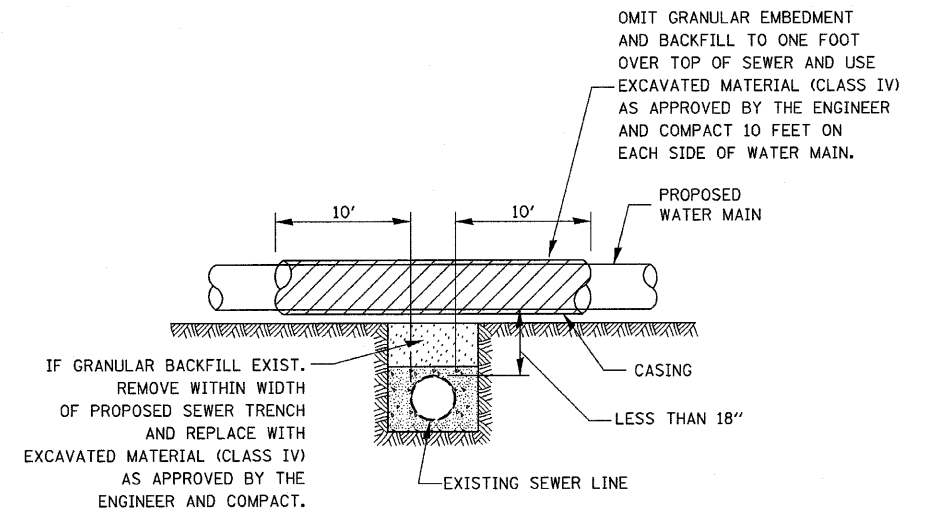
CASING SHALL BE OF WATER MAIN MATERIAL WITH AN INSIDE DIAMETER 2" LARGER IN DIAMETER THAN ENCASED PIPE OUTSIDE DIAMETER WITH BOTH ENDS OF CASING SEALED



• NOT ALLOWED  
MUST MAINTAIN 18" VERTICAL SEPARATION

PROPOSED WATER MAIN BELOW EXISTING SEWER LINE

POINT LOADS SHALL NOT BE ALLOWED BETWEEN WATER MAIN CASING AND SEWER



CASING SHALL BE OF WATERMAIN MATERIAL WITH AN INSIDE DIAMETER 2" LARGER IN DIAMETER THAN ENCASED PIPE OUTSIDE DIAMETER WITH BOTH ENDS OF CASING SEALED

PROPOSED WATER MAIN ABOVE EXISTING SEWER LINE

563-4

FILE NAME =  
D366547-SHT-WMDetails.dgn

USER NAME =  
PLOT SCALE = NONE  
PLOT DATE = 08/10

DESIGNED - AMF  
DRAWN - LAG  
CHECKED - JKC  
DATE - 08/10

REVISED -  
REVISED -  
REVISED -  
REVISED -

STATE OF ILLINOIS  
DEPARTMENT OF TRANSPORTATION

WATER MAIN DETAILS

SCALE: NONE SHEET NO. OF SHEETS STA. TO STA.

F.A.S. RTE. 1279	SECTION 6R,B	COUNTY LASALLE	TOTAL SHEETS 190	SHEET NO. 59
CONTRACT NO. 66547				
FED. ROAD DIST. NO. ILLINOIS FED. AID PROJECT				