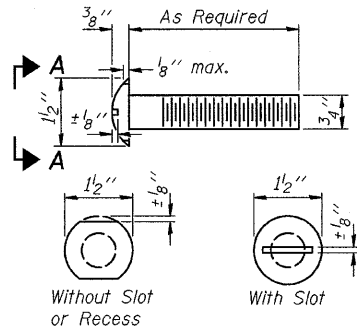
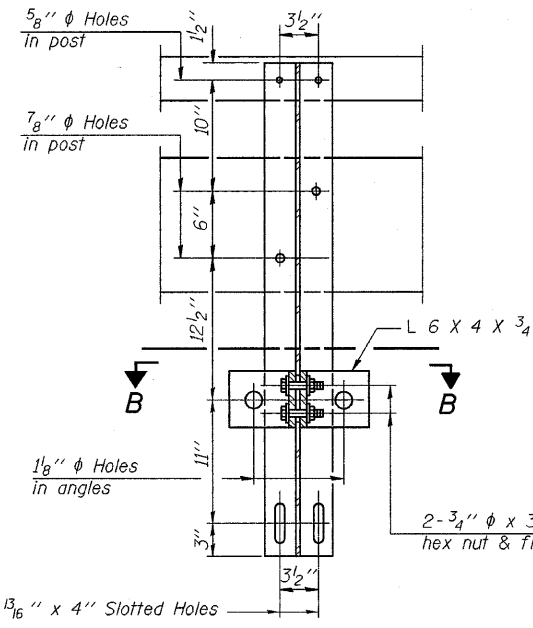


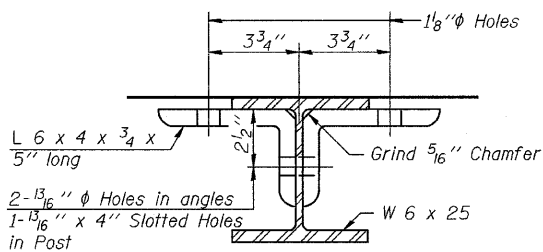
STATE OF ILLINOIS
DEPARTMENT OF TRANSPORTATION



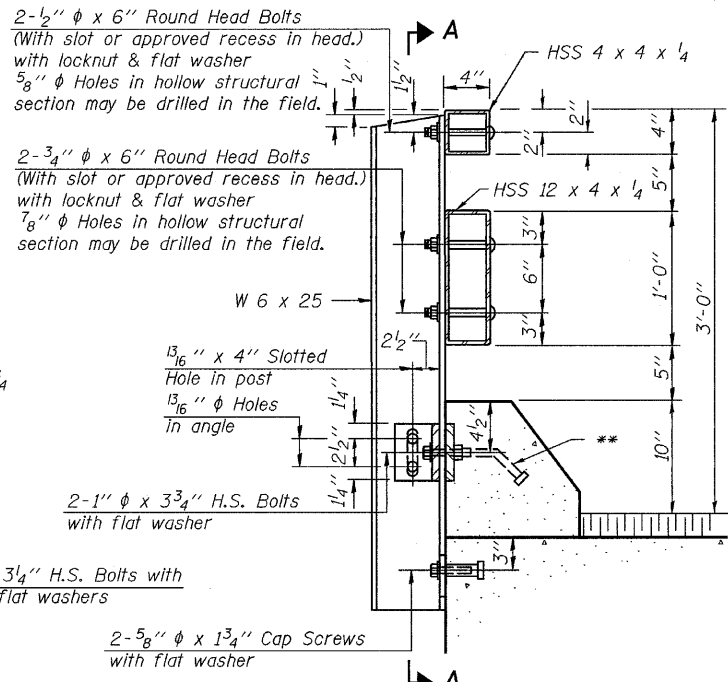
**VIEW A-A
ROUND HEAD BOLT**



SECTION A-A

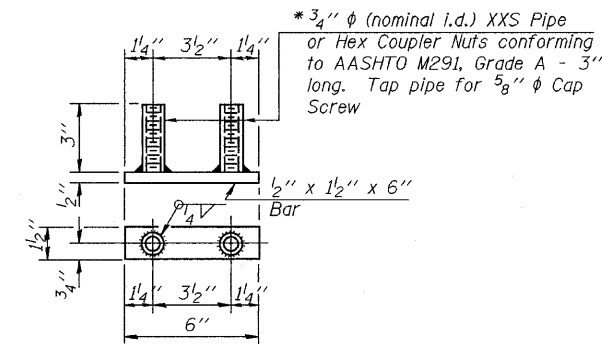


SECTION B-B

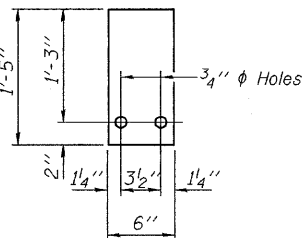


SECTION AT RAIL POST

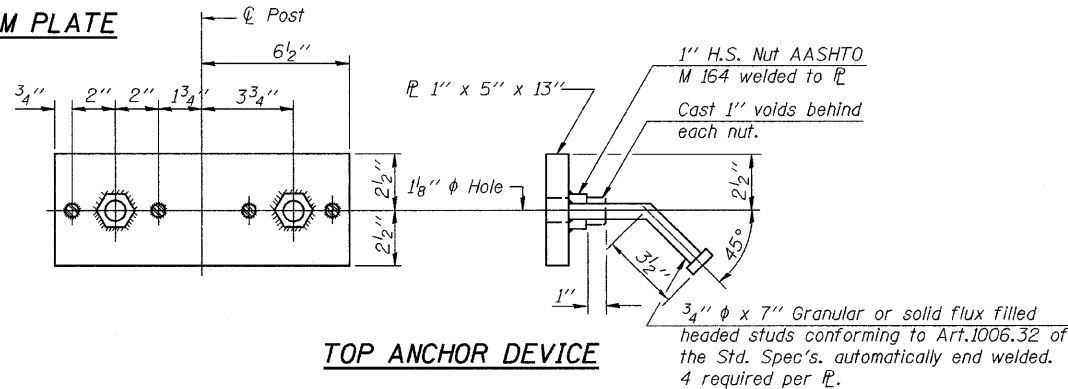
* Threaded areas shall be plugged or blocked off during casting of beam.



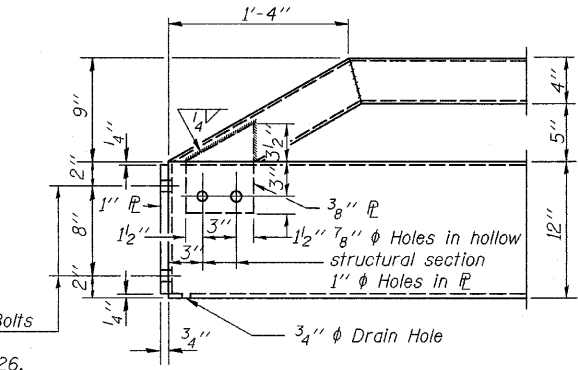
BOTTOM ANCHOR DEVICE



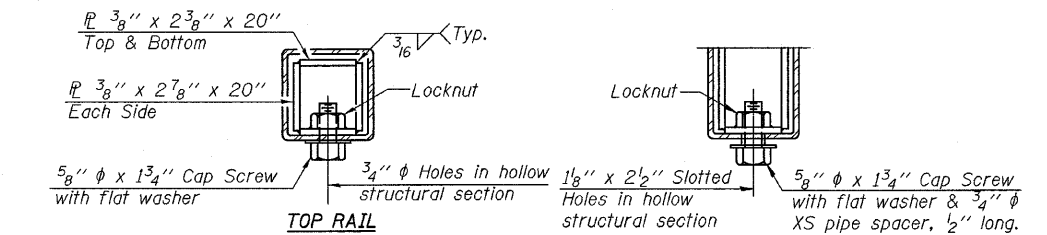
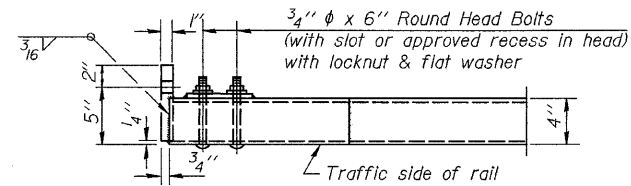
1/4" SHIM PLATE



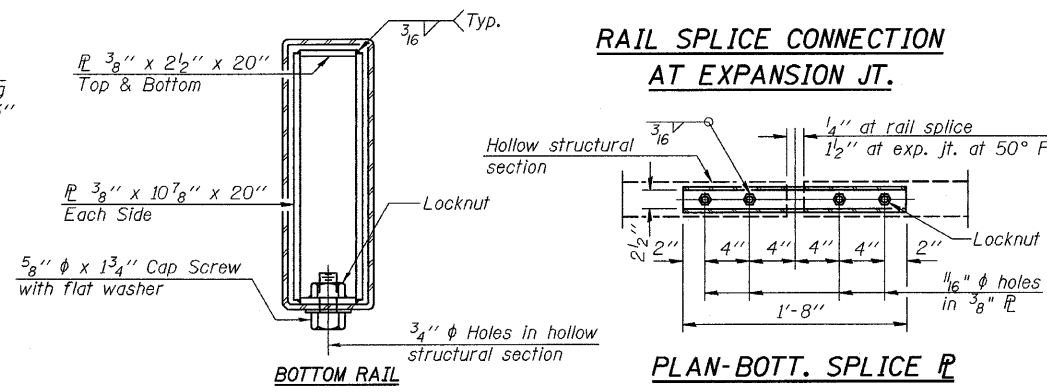
TOP ANCHOR DEVICE



END OF RAIL DETAILS



TOP RAIL



SECTIONS AT RAIL SPLICE

**PLAN-BOTT. SPLICE R
TYPICAL**

BILL OF MATERIAL

Item	Unit	Quantity
Steel Railing, Type T-1	Foot	200

**STEEL RAILING, TYPE T-1
STRUCTURE NO. 050-7201**

DESIGNED JKC
CHECKED GAE
DRAWN NV
CHECKED JKC

R-24A

10-1-08 (9'-6" Maximum Post Spacing)

CHAMLIN &
ASSOCIATES
PERU ILLINOIS MORRIS

SHEET NO. 11 17 SHEETS	F.A.S. RTE. 1279	SECTION 6R, B	COUNTY LA SALLE	TOTAL SHEETS 190	SHEET NO. 133
	SN 050-7201		CONTRACT NO. 66547		
FED. ROAD DIST. NO.		ILLINOIS FED. AID PROJECT			