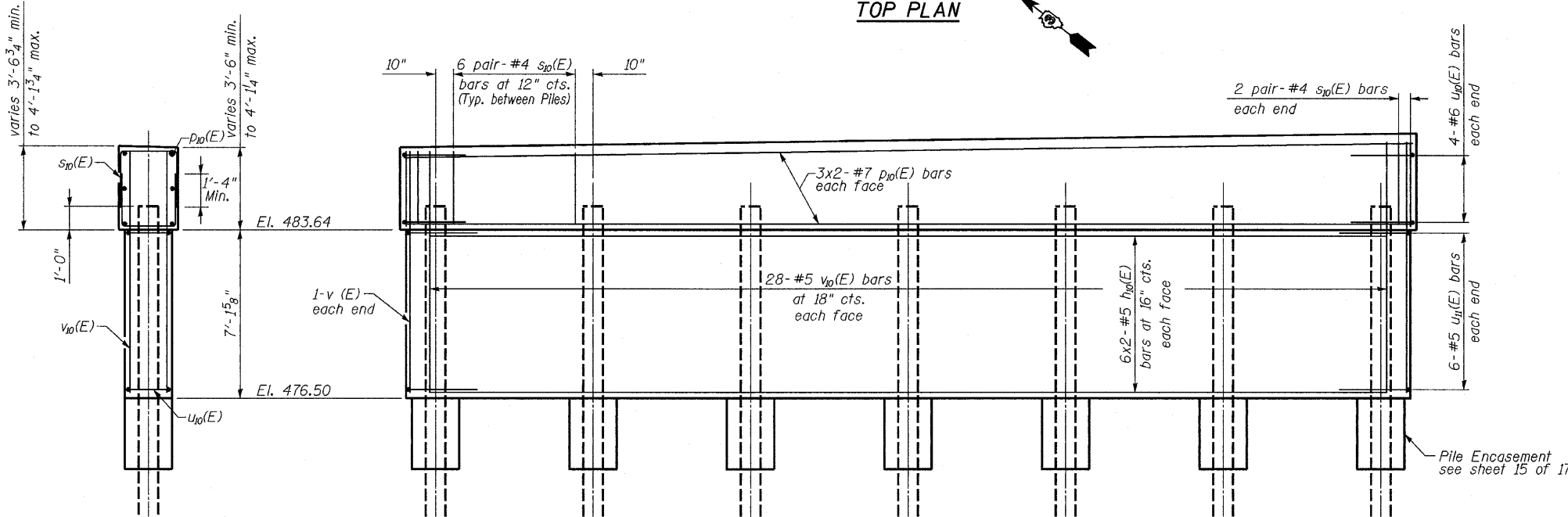
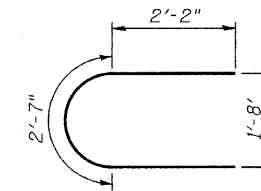
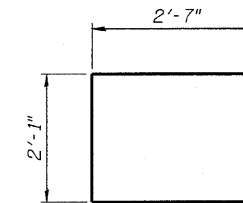
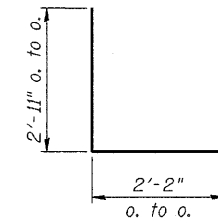
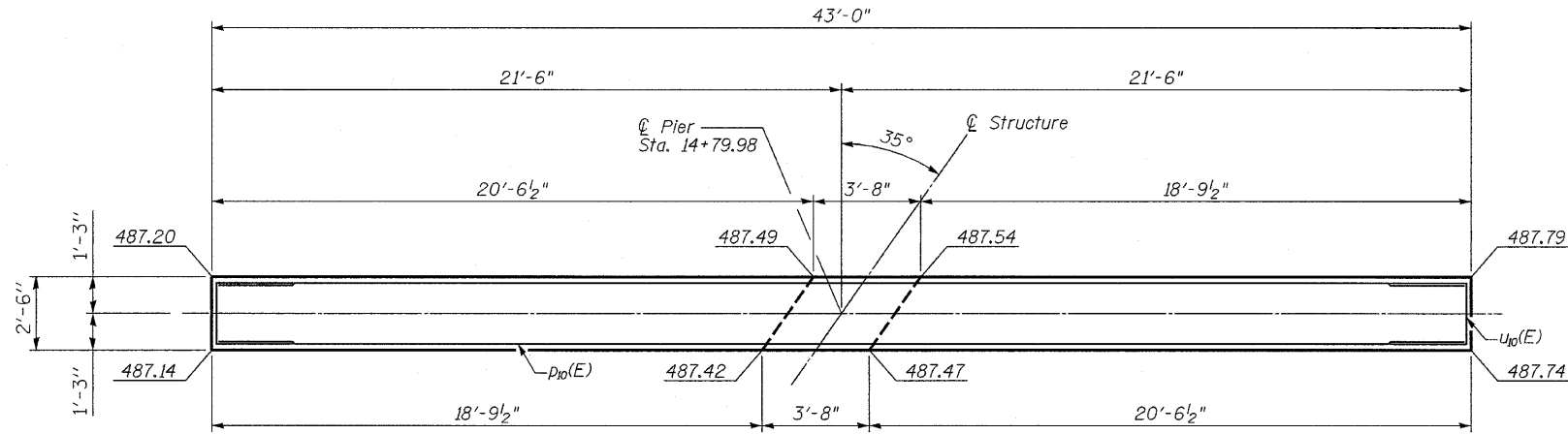


STATE OF ILLINOIS
DEPARTMENT OF TRANSPORTATION

PILE DATA

Type: Steel HP10X42
Nominal Required Bearing: 335 kips
Allowable Resistance Available: 111 kips
Est. length: 20 Ft.
(Piles shall be socketed 5' min. into sandstone see special provisions)

No. Required: 7



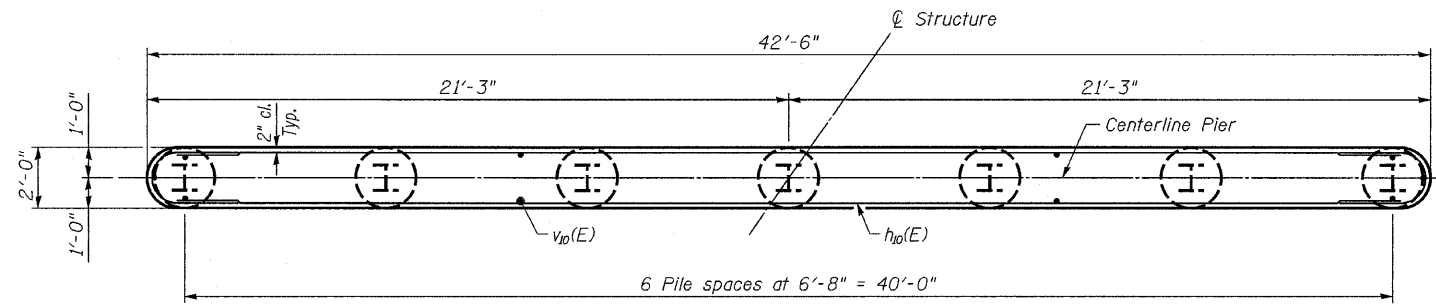
BILL OF MATERIAL

Bar No.	Size	Length	Shape	
h ₁₀ (E)	24	#5	21'-1"	—
p ₁₀ (E)	12	#7	23'-0"	—
s ₁₀ (E)	80	#4	8'-0"	U
u ₁₀ (E)	8	#6	7'-3"	U
u ₁₁ (E)	12	#5	6'-11"	U
v ₁₀ (E)	58	#5	10'-4"	—
Structure Excavation			Cu. Yd.	13
Concrete Structures			Cu. Yd.	38.2
Reinforcement Bars, Epoxy Coated			Pound	2320
Furnishing Steel Piles HP10X42			Foot	140
Underwater Structure Excavation Protection - Location 1			Each	1
Concrete Encasement			Cu. Yd.	2.5
Setting Piles in Rock			Each	7

For details of piles and Concrete Encasement, see sheet 15 of 17.

END VIEW

ELEVATION (LOOKING EAST)



**PIER DETAIL
STRUCTURE NO. 050-7201**

DESIGNED	JKC
CHECKED	GAE
DRAWN	NV
CHECKED	JKC

CHAMLIN ASSOCIATES
PERU ILLINOIS MORRIS

SHEET NO. 14 17 SHEETS	F.A.S. RTE. 1279	SECTION 6R, B	COUNTY LA SALLE	TOTAL SHEETS 190	SHEET NO. 136
	SN 050-7201		CONTRACT NO. 66547		
FED. ROAD DIST. NO.		ILLINOIS	FED. AID PROJECT		