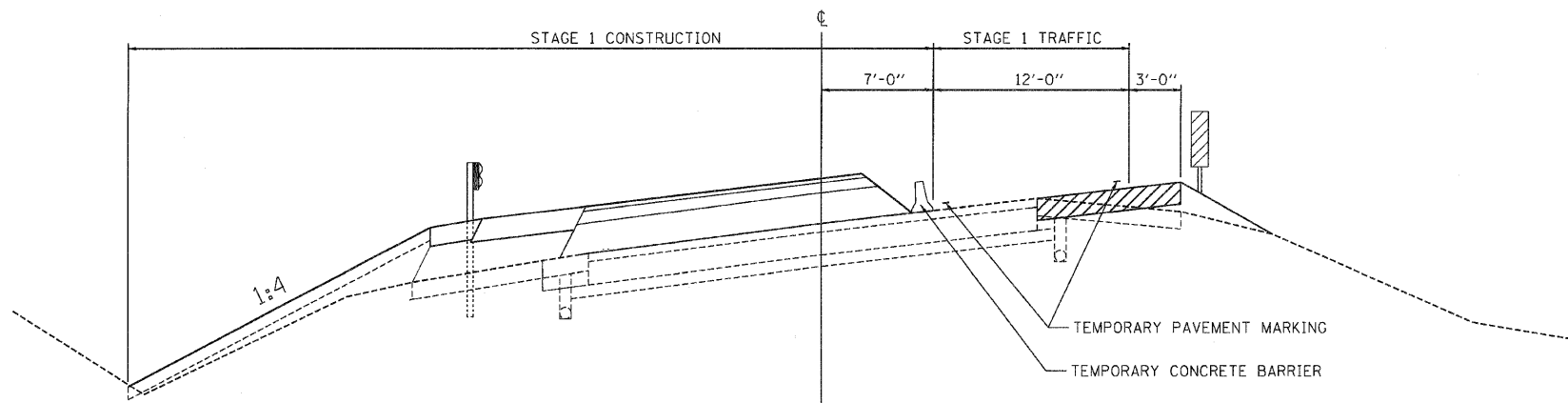
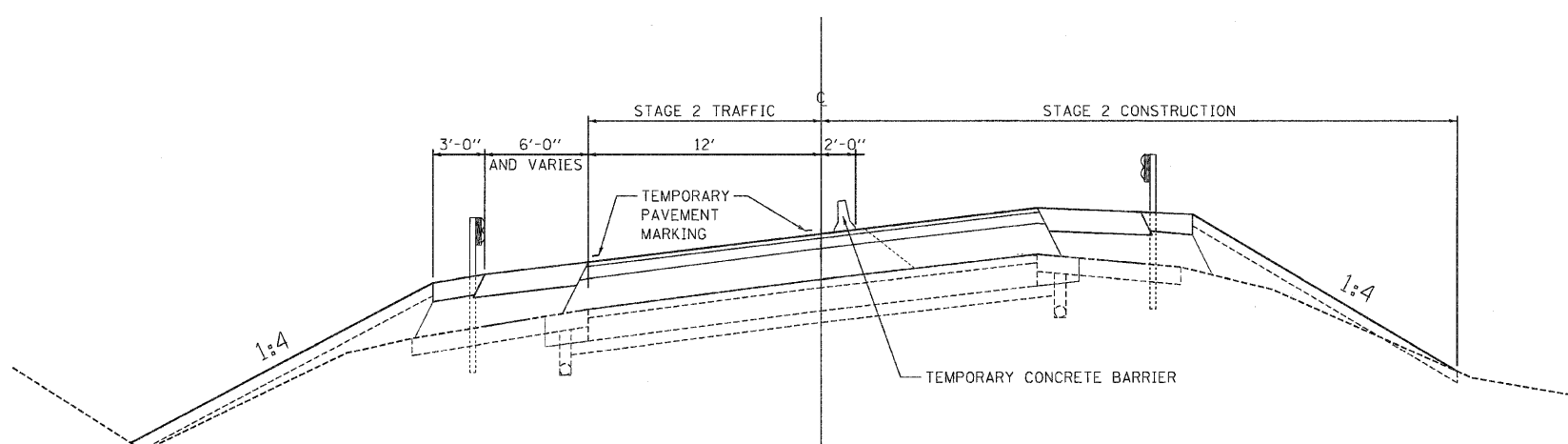


PRE STAGE I



STAGE 1



STAGE 2

PRE STAGE CONSTRUCTION

- 1 INSTALL TRAFFIC CONTROL PER STANDARD 701326.
- 2 CONSTRUCT TEMPORARY PAVEMENT.

STAGE 1 CONSTRUCTION

- 1 INSTALL TRAFFIC SIGNALS, TEMPORARY CONCRETE BARRIER, SIGNS AND ETC. ACCORDING TO DETAILS AND TRAFFIC CONTROL STANDARD 701321 MAINTAINING ALL TRAFFIC ON THE EASTBOUND LANE.
- 2 REMOVE STAGE ONE PORTION OF THE EXISTING BRIDGE STRUCTURE, GUARDRAIL AND PAVEMENT AS SHOWN ON THE PLANS.
- 3 CONSTRUCT THE STAGE ONE PORTION OF THE PROPOSED STRUCTURE, APPROACH PAVEMENT, HMA BINDER, HMA LEVELING BINDER, GUARDRAIL, PIPE CULVERT AND FIELD ENTRANCE LOCATED ON THE WESTBOUND LANE AS SHOWN IN THE PLANS.

STAGE 2 CONSTRUCTION

- 1 RELOCATE THE TRAFFIC CONTROL PER STANDARD 701321 AND AS DETAILED IN THESE PLANS.
- 2 REDIRECT TRAFFIC TO THE WESTBOUND LANE.
- 3 REMOVE THE STAGE TWO PORTION OF THE EXISTING BRIDGE STRUCTURE, GUARDRAIL AND PAVEMENT AS SHOWN ON THE PLANS.
- 4 CONSTRUCT THE STAGE TWO PORTION OF THE PROPOSED STRUCTURE, APPROACH PAVEMENT, HMA BINDER, HMA LEVELING BINDER, GUARDRAIL AND FIELD ENTRANCE LOCATED ON THE EASTBOUND LANE AS SHOWN IN THE PLANS.
- 5 REMOVE TRAFFIC SIGNALS AND ETC. CALLED FOR IN STANDARD 701321.
- 6 PLACE HMA SURFACE, PAVEMENT MARKINGS AND ALL REMAINING WORK USING STANDARD 701201.

NOTE:
SEE STRUCTURE PLANS FOR ADDITIONAL
STAGE CONSTRUCTION DETAILS.

FILE NAME =	USER NAME = #USER#	DESIGNED - SPF	REVISED -	STATE OF ILLINOIS DEPARTMENT OF TRANSPORTATION	STAGES OF CONSTRUCTION AND TRAFFIC CONTROL NOTES AND DETAILS		F.A.P. RTE.	SECTION	COUNTY	TOTAL SHEETS	SHEET NO.
#FILE#		DRAWN - AJP	REVISED -		68	(102) BR-1	LIVINGSTON	58	8		
PLOT SCALE = #SCALE#		CHECKED - JMS	REVISED -		CONTRACT NO. 66822						
PLOT DATE = #DATE#		DATE - 08/05/10	REVISED -		SCALE: N/A	SHEET NO. 01 OF 03 SHEETS	STA.	TO STA.	ILLINOIS FED. AID PROJECT		