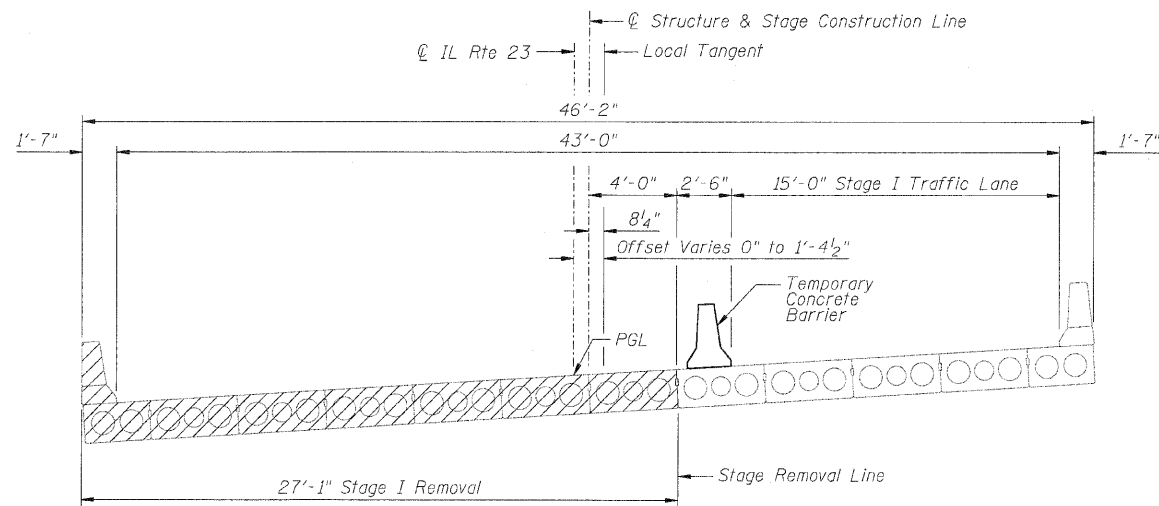
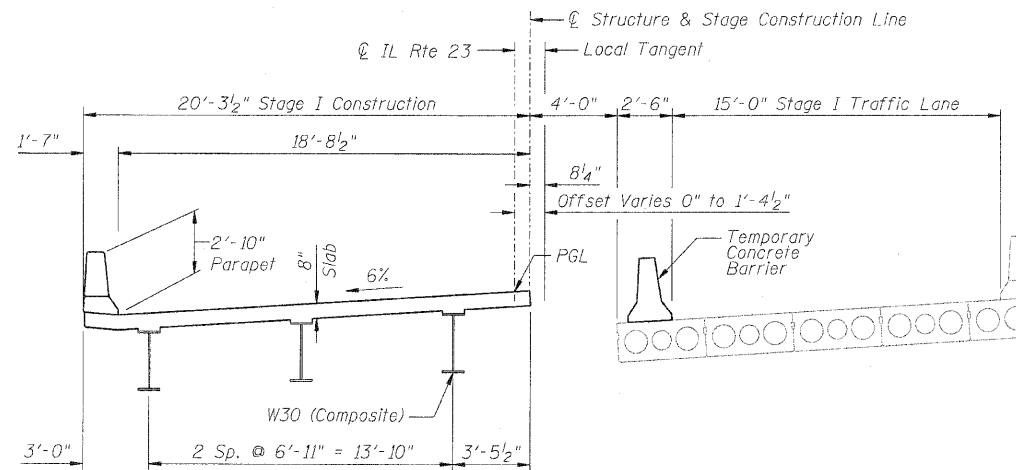


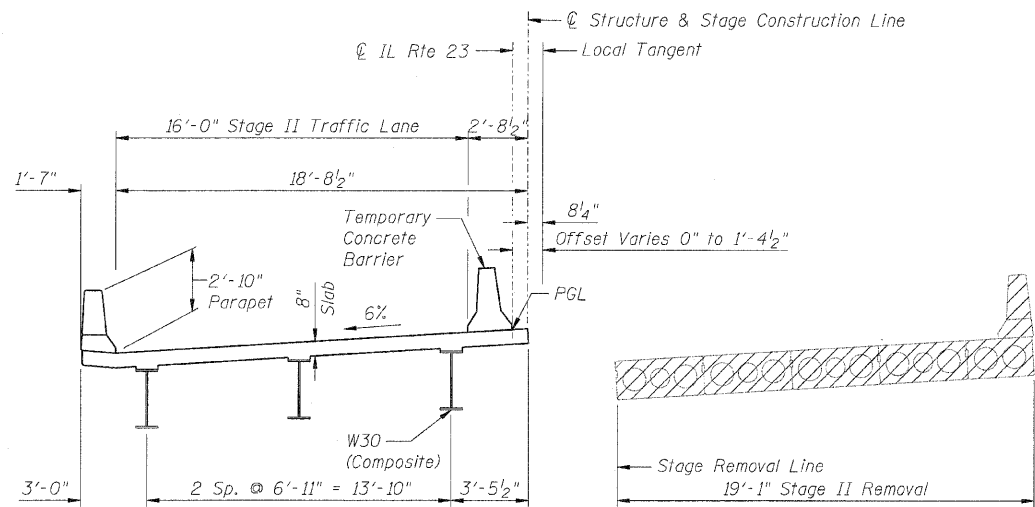
STATE OF ILLINOIS
DEPARTMENT OF TRANSPORTATION



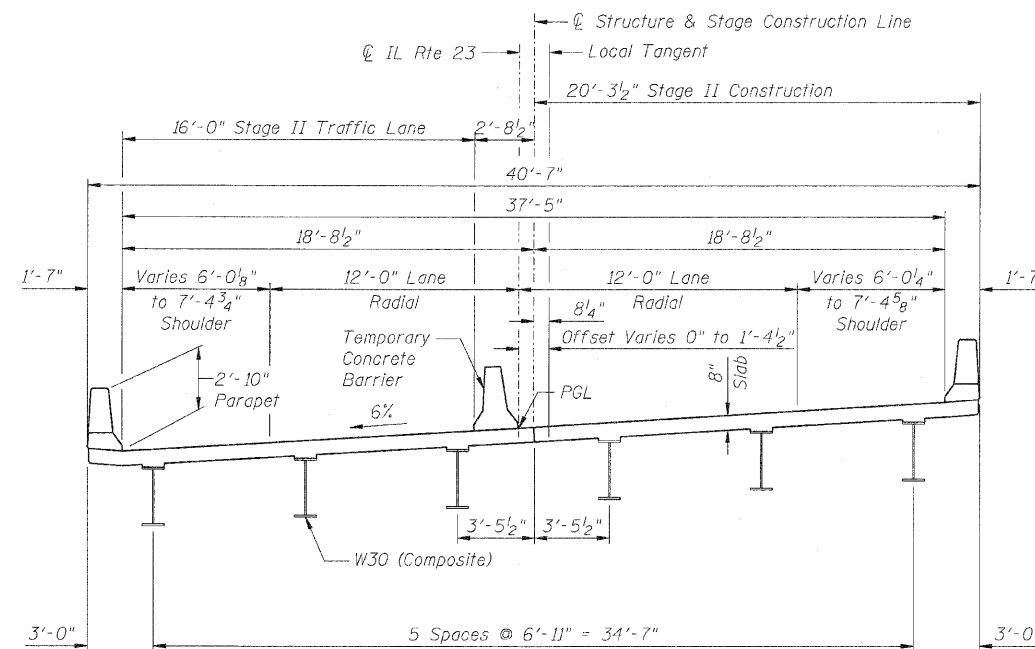
STAGE I REMOVAL
(Looking South)



STAGE I CONSTRUCTION
(Looking South)



STAGE II REMOVAL
(Looking South)



STAGE II CONSTRUCTION
(Looking South)

STAGE CONSTRUCTION DETAILS
STRUCTURE NO. 053-0189

ZROKA engineering
Zroka Engineering, P.C.
4216 North Hermitage
Chicago, IL 60613

DESIGNED	LAS
CHECKED	JLA
DRAWN	SAW
CHECKED	LAS

SHEET NO. 3 OF 26 SHEETS	F.A.P. RTE.	SECTION	COUNTY	TOTAL SHEETS	SHEET NO.
	68	(102)BR-1	LIVINGSTON	58	14
SN 053-0189			CONTRACT NO. 66822		
FED. ROAD DIST. NO. _ ILLINOIS FED. AID PROJECT					