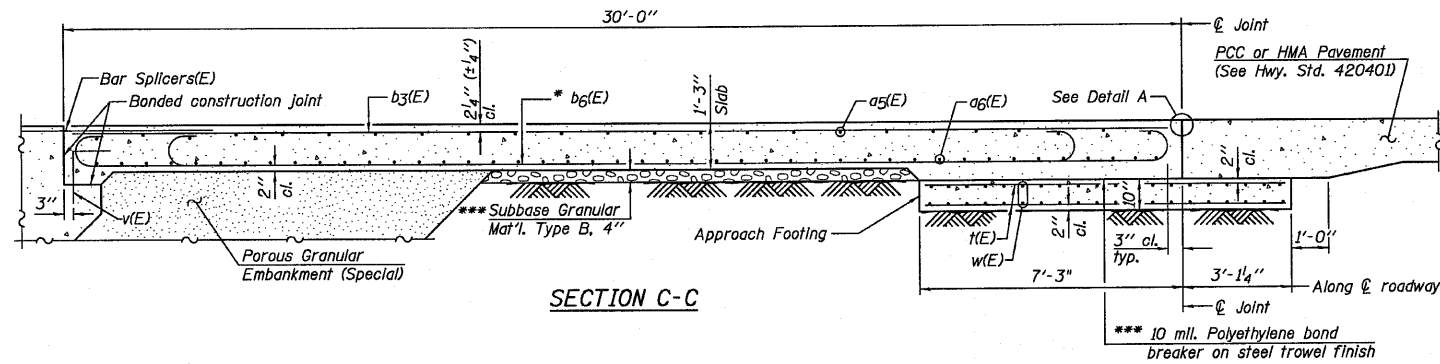


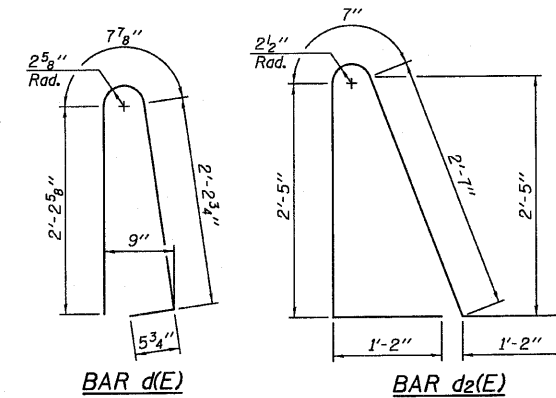
STATE OF ILLINOIS
DEPARTMENT OF TRANSPORTATION

Notes:
See Sheet B12 for Detail A and View B-B.
Approach slab and parapet concrete shall be paid for as Concrete Superstructure.
Approach footing concrete shall be paid for as Concrete Structures.
Reinforcement shall be paid for as Reinforcement Bars, Epoxy Coated.
For w(E) bar details, see Sheets B11.
The approach footing maximum applied service bearing pressure (Q_{max}) = 2.0 ksf.
For bar splicer details, see Sheet B22.
Cost of excavation for approach footing included with Concrete Structures.
For Porous Granular Embankment (Special) and drainage treatment details, see Sheet B2.
For additional parapet details, see Sheet B10.



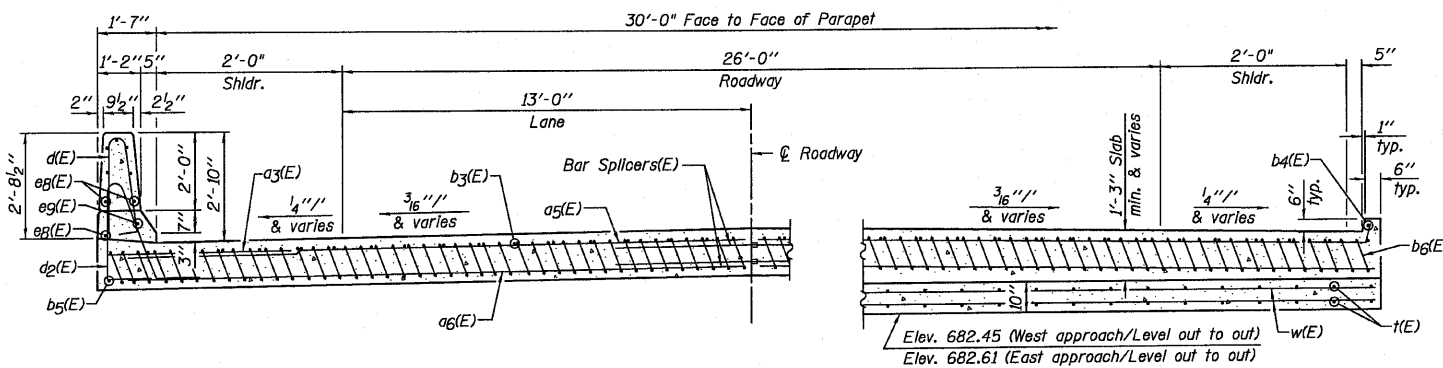
SECTION C-C

* Tilt #9 b6(E) bars as required to maintain clearance.
*** Cost included with Concrete Superstructure.



BAR d(E)

BAR d2(E)

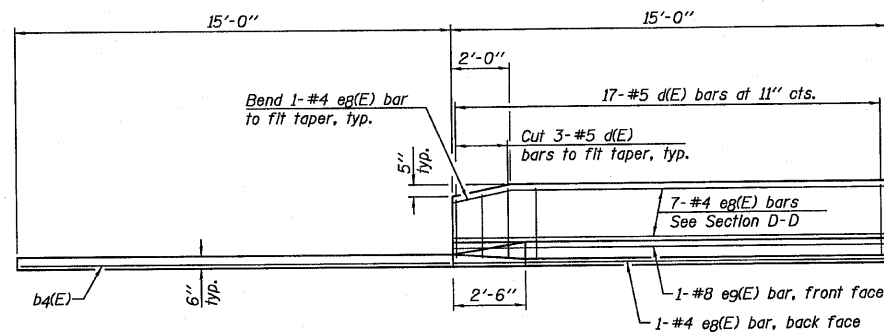


NEAR ABUTMENT

AT APPROACH FOOTING

SECTION D-D

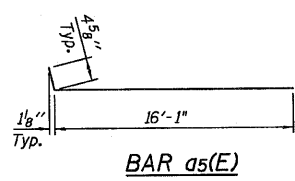
(See Plan for dimensions not shown)



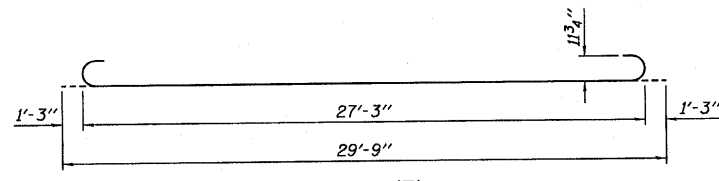
VIEW E-E

TWO APPROACHES
BILL OF MATERIAL

Bar	No.	Size	Length	Shape
a3(E)	48	#6	6'-6"	—
a5(E)	100	#4	16'-5"	—
a6(E)	184	#5	16'-3"	—
b3(E)	52	#4	29'-8"	—
b4(E)	4	#4	14'-5"	—
b5(E)	4	#4	14'-8"	—
b6(E)	152	#9	29'-9"	—
d(E)	68	#5	5'-7"	U
d2(E)	68	#5	7'-11"	U
eg(E)	32	#4	14'-8"	—
eg(E)	4	#8	14'-8"	—
f(E)	128	#4	10'-0"	—
w(E)	160	#5	16'-3"	—
Item	Unit	Quantity		
Concrete Superstructure	Cu. Yd.	103.4		
Concrete Structures	Cu. Yd.	20.4		
Reinforcement Bars, Epoxy Coated	Pound	26,160		



BAR a5(E)



BAR b6(E)

DESIGNED SDH
CHECKED JML
DRAWN DJM
CHECKED MSW

DATE 08/13/10

Farnsworth GROUP, INC. 2709 McGraw Drive Bloomington, Illinois 61704 309/663-8435, 309/663-1571 fax	SHEET NO. B13	F.A.P. RTE. 317	SECTION (25)BR-2	COUNTY LIVINGSTON	TOTAL SHEETS 58	SHEET NO. 36
	26 SHEETS	CONTRACT NO. 66823		FED. ROAD DIST. NO. ILLINOIS FED. AID PROJECT		

BRIDGE APPROACH SLAB DETAILS
STRUCTURE NO. 053-0188