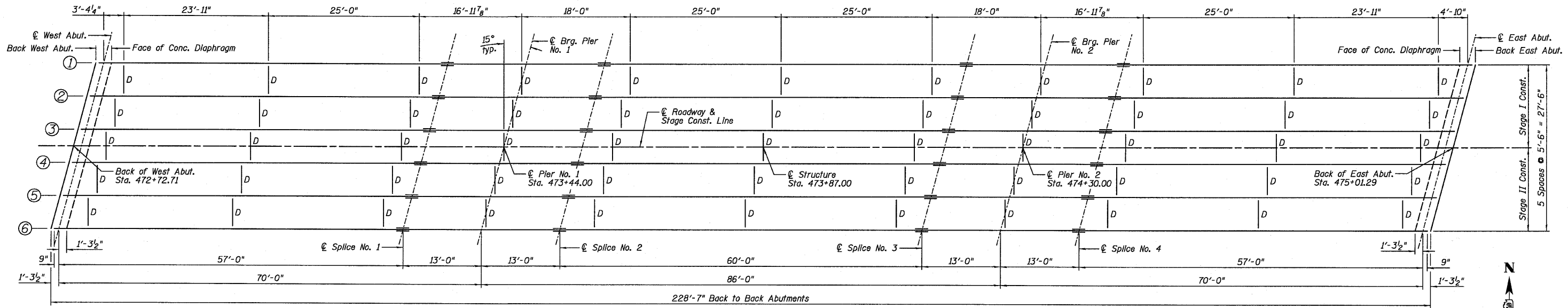
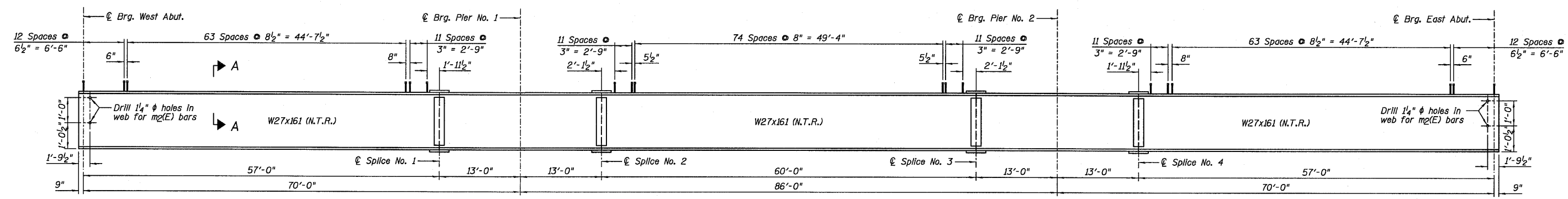


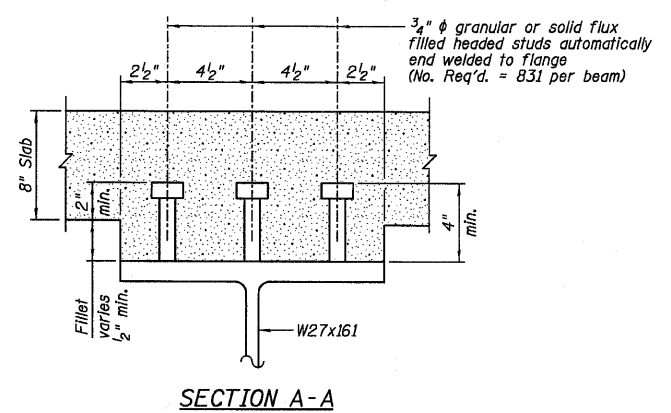
STATE OF ILLINOIS
DEPARTMENT OF TRANSPORTATION



PLAN



ELEVATION



SECTION A-A

DESIGNED SDH
CHECKED JML
DRAWN DJM
CHECKED MSW

DATE 08/13/10

- NOTES:**
- 1) See Sheet B15 for Splice Details and Diaphragm Details.
 - 2) Load carrying components designated N.T.R. shall conform to the Supplemental Requirements for Notch Toughness, Zone 2.
 - 3) All diaphragms shall be installed as steel is erected and secured with erection pins and bolts except as otherwise noted. Individual diaphragms at supports may be temporarily disconnected to install bearing anchor rods.

FABRICATED TOP OF BEAM ELEVATION TABLE

Location	Beam No. 1	Beam No. 2	Beam No. 3	Beam No. 4	Beam No. 5	Beam No. 6
⊕ Brg. W. Abut.	684.42	684.49	684.56	684.54	684.44	684.33
⊕ Splice No. 1	684.82	684.90	684.98	684.97	684.87	684.78
⊕ Brg. Pier No. 1	684.87	684.95	685.03	685.03	684.94	684.84
⊕ Splice No. 2	684.92	685.01	685.09	685.08	685.00	684.90
⊕ Splice No. 3	684.90	684.99	685.08	685.09	685.01	684.92
⊕ Brg. Pier No. 2	684.83	684.93	685.02	685.03	684.95	684.87
⊕ Splice No. 4	684.77	684.87	684.96	684.97	684.89	684.81
⊕ Brg. E. Abut.	684.35	684.46	684.56	684.57	684.50	684.42

For fabrication use only.

STRUCTURAL STEEL
STRUCTURE NO. 053-0188

Farnsworth GROUP, INC. 2709 McGraw Drive Bloomington, Illinois 61704 309/663-8435, 309/663-1571 fax	SHEET NO. B14	F.A.P. RTE.	SECTION	COUNTY	TOTAL SHEETS	SHEET NO.
	26 SHEETS	317	(25)BR-2	LIVINGSTON	58	37
CONTRACT NO. 66823					FED. ROAD DIST. NO. ILLINOIS FED. AID PROJECT	