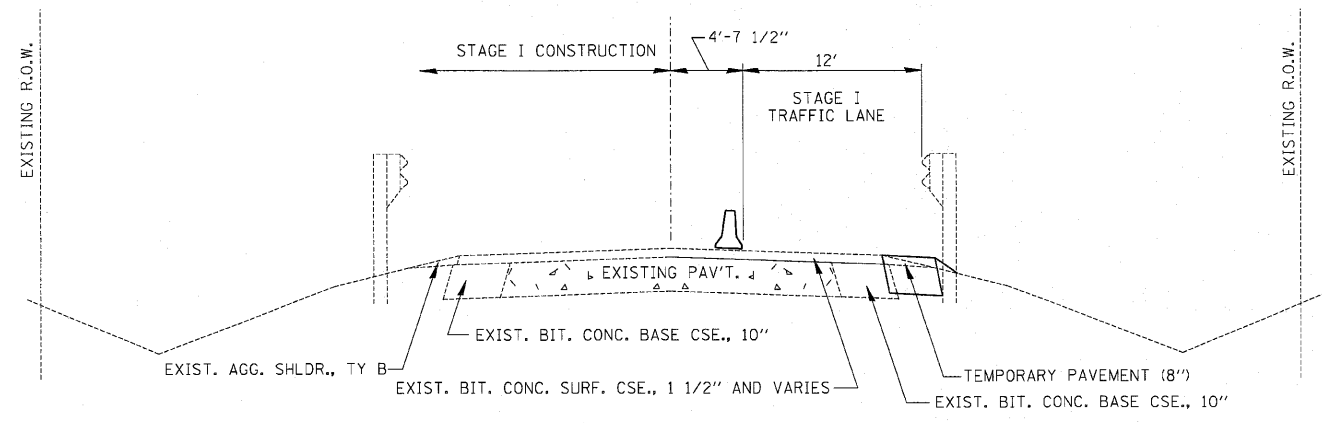


PRE-STAGE I SECTION

\*REMOVAL OF EXISTING SHOULDER AND SUBGRADE TO BE INCLUDED IN COST OF TEMPORARY PAVEMENT

PRE-STAGE I CONSTRUCTION NOTES

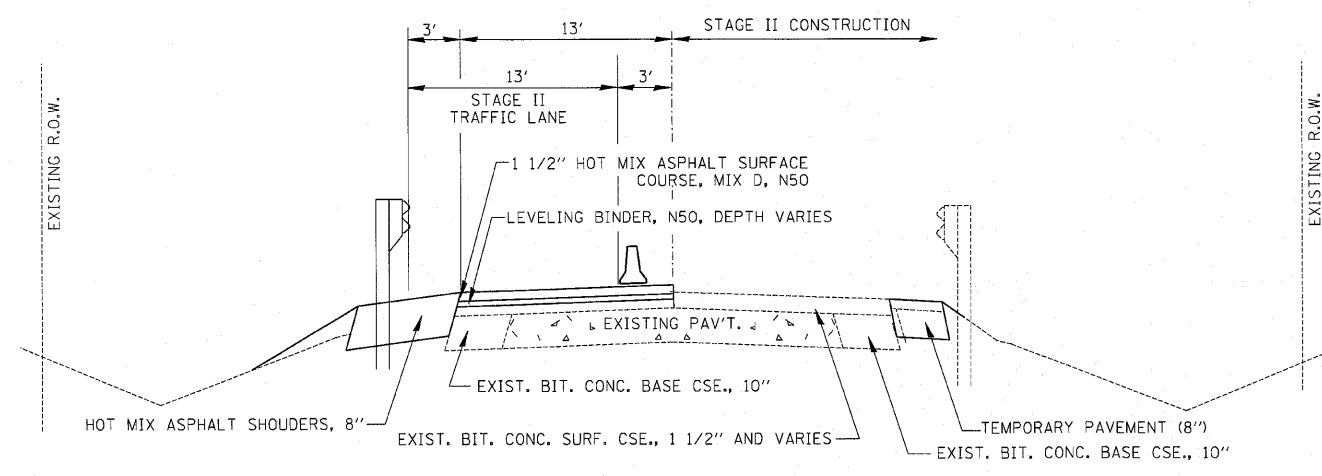
1. INSTALL TRAFFIC CONTROL PER STANDARD 701326.
2. REMOVE RAIL ELEMENT OF EXISTING GUARDRAIL AT TEMPORARY PAVEMENT.
3. CONSTRUCT TEMPORARY PAVEMENT.
4. REINSTALL RAIL ELEMENT OF GUARDRAIL



STAGE I SECTION

STAGE I CONSTRUCTION NOTES

1. INSTALL TRAFFIC SIGNALS, TEMPORARY CONCRETE BARRIER, SIGNS AND ETC. ACCORDING TO DETAILS AND TRAFFIC CONTROL STANDARD 701321 MAINTAINING ALL TRAFFIC ON THE EASTBOUND LANE.
2. REMOVE STAGE I PORTION OF THE EXISTING BRIDGE STRUCTURE, GUARDRAIL AND PAVEMENT AS SHOWN ON THE PLANS.
3. CONSTRUCT THE STAGE I PORTION OF THE PROPOSED STRUCTURE, APPROACH PAVEMENT, HMA LEVELING BINDER, TEMPORARY RAMP AND GUARDRAIL.



STAGE II SECTION

STAGE II CONSTRUCTION NOTES

1. RELOCATE THE TRAFFIC CONTROL PER STANDARD 701321 AND AS DETAILED IN THESE PLANS. REDIRECT TRAFFIC TO THE WESTBOUND LANE.
2. REMOVE THE STAGE II PORTION OF THE EXISTING BRIDGE STRUCTURE, GUARDRAIL AND PAVEMENT AS SHOWN ON THE PLANS.
3. CONSTRUCT THE STAGE II PORTION OF THE PROPOSED STRUCTURE, APPROACH PAVEMENT, HMA BINDER, HMA LEVELING BINDER, AND GUARDRAIL.
4. REMOVE TRAFFIC SIGNALS AND ETC. CALLED FOR IN STANDARD 701321. PLACE HMA SURFACE, PAVEMENT MARKINGS AND ALL REMAINING WORK USING STANDARD 701201.

FILE NAME =	USER NAME = SAW	DESIGNED - RAC	REVISED -
...ND366861-SHT-Stage Const Traffic Control	1 XS.dgn	DRAWN - RAC	REVISED -
PLOT SCALE = 50.0000' / IN.		CHECKED - DAZ	REVISED -
PLOT DATE = 7/29/2010		DATE - 07/30/10	REVISED -

STATE OF ILLINOIS  
DEPARTMENT OF TRANSPORTATION

**ZROKA**  
engineering  
Zroka Engineering, P.C.  
4216 North Harmitage  
Chicago, IL 60613

**STAGE CONSTRUCTION  
TRAFFIC CONTROL**  
N/A SHEET NO. 8 OF 42 SHEETS STA. 159+84 TO STA. 167+24

F.A. RTE.	SECTION	COUNTY	TOTAL SHEETS	SHEET NO.
681	118 BR	IROQUOIS	42	8
CONTRACT NO. 66861				
ILLINOIS FED. AID PROJECT				