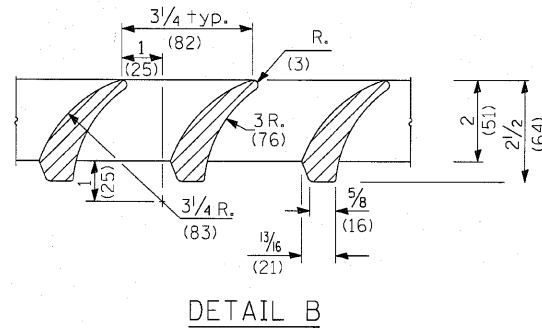


SECTION C-C

DETAIL OF CAST GRATE

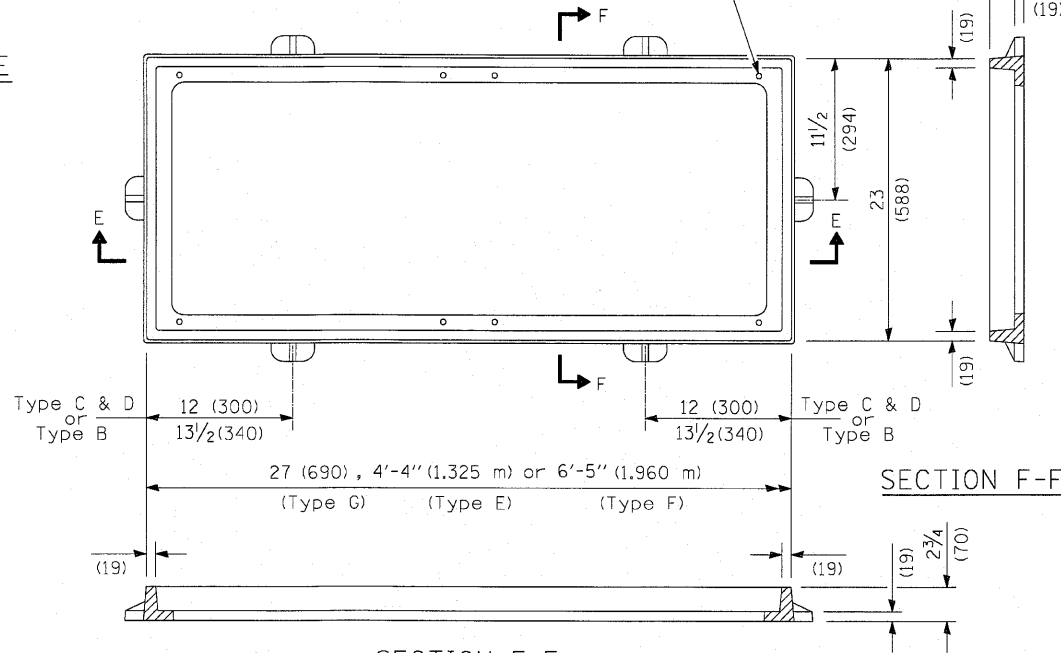
Type G requires 1 grate  
 Type E requires 2 grates  
 Type F requires 3 grates



DETAIL B

SECTION D-D

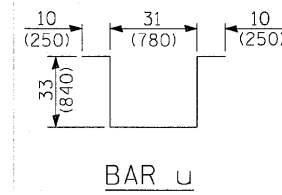
1/2 (13) Dia. tapped hole for bolting down grate, four places each frame.



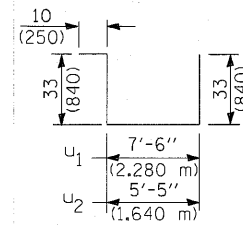
SECTION E-E

DETAIL OF CAST FRAME

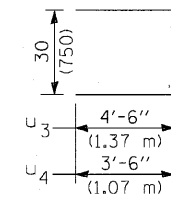
(Type E shown)



BAR u



BARS u<sub>1</sub>, u<sub>2</sub>



BARS u<sub>3</sub>, u<sub>4</sub>

INLET BOX

REQUIRED MATERIAL

TYPE F

Bar	Qty.	Size	Length
u	8	No. 4 (No. 13)	9'-9" (2.96 m)
u <sub>1</sub>	3	No. 4 (No. 13)	13'-10" (4.21 m)
u <sub>3</sub>	6	No. 4 (No. 13)	11'-6" (3.49 m)
Concrete	cu. yds. (m <sup>3</sup> )		1.7 (1.3)
Reinf. bars	lbs. (kg)		126 (57.2)
Grating	sq. ft. (m <sup>2</sup> )		10.9 (1.02)

TYPE E

Bar	Qty.	Size	Length
u	6	No. 4 (No. 13)	9'-9" (2.96 m)
u <sub>2</sub>	3	No. 4 (No. 13)	11'-9" (3.57 m)
u <sub>4</sub>	6	No. 4 (No. 13)	9'-6" (2.89 m)
Concrete	cu. yds. (m <sup>3</sup> )		1.3 (1.0)
Reinf. bars	lbs. (kg)		101 (45.8)
Grating	sq. ft. (m <sup>2</sup> )		7.3 (0.68)

TYPE G

Bar	Qty.	Size	Length
u	6	No. 4 (No. 13)	8'-5" (2.550 m)
u <sub>5</sub>	3	No. 4 (No. 13)	8'-0" (2.425 m)
u <sub>6</sub>	6	No. 4 (No. 13)	6'-2" (1.870 m)
Concrete	cu. yds. (m <sup>3</sup> )		0.5 (0.4)
Reinf. bars	lbs. (kg)		55.0 (25.0)
Grating	sq. ft. (m <sup>2</sup> )		3.6 (0.34)

SHOULDER INLET WITH CURB

(Sheet 2 of 2)

FILE NAME = ... \D366861-SHT-Detail.dgn  
 USER NAME = SAW  
 PLOT SCALE = 5/8" = 1' IN.  
 PLOT DATE = 7/29/2010

DESIGNED - RAC  
 DRAWN - SAW  
 CHECKED - DAZ  
 DATE - 07/30/10  
 REVISED -  
 REVISED -  
 REVISED -  
 REVISED -

STATE OF ILLINOIS  
 DEPARTMENT OF TRANSPORTATION

ZROKA  
 engineering

Zroka Engineering, P.C.  
 4216 North Hermitage  
 Chicago, IL 60613

DETAILS

SCALE: 1" = 50' SHEET NO. 38 OF 42 SHEETS STA. 159+89 TO STA. 167+17

F.A. RTE.	SECTION	COUNTY	TOTAL SHEETS	SHEET NO.
681	118 BR	IRROUOIS	42	38

CONTRACT NO. 66861  
 ILLINOIS FED. AID PROJECT