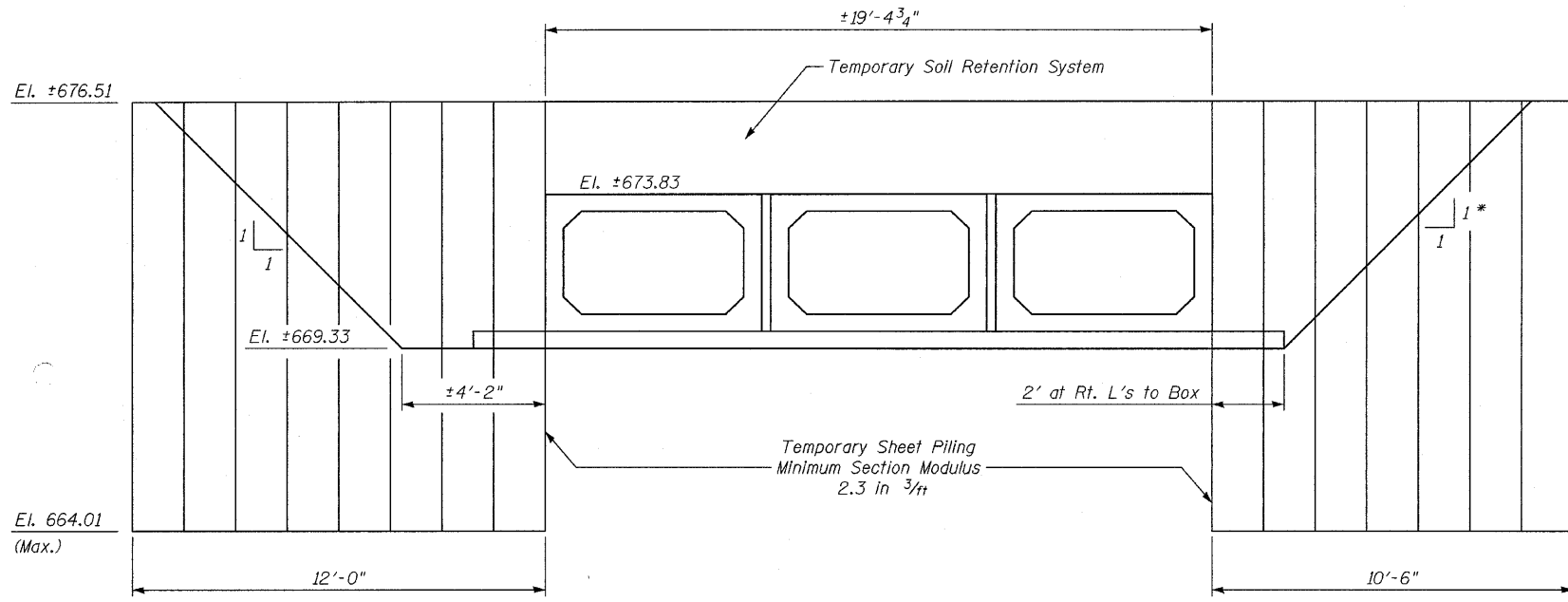
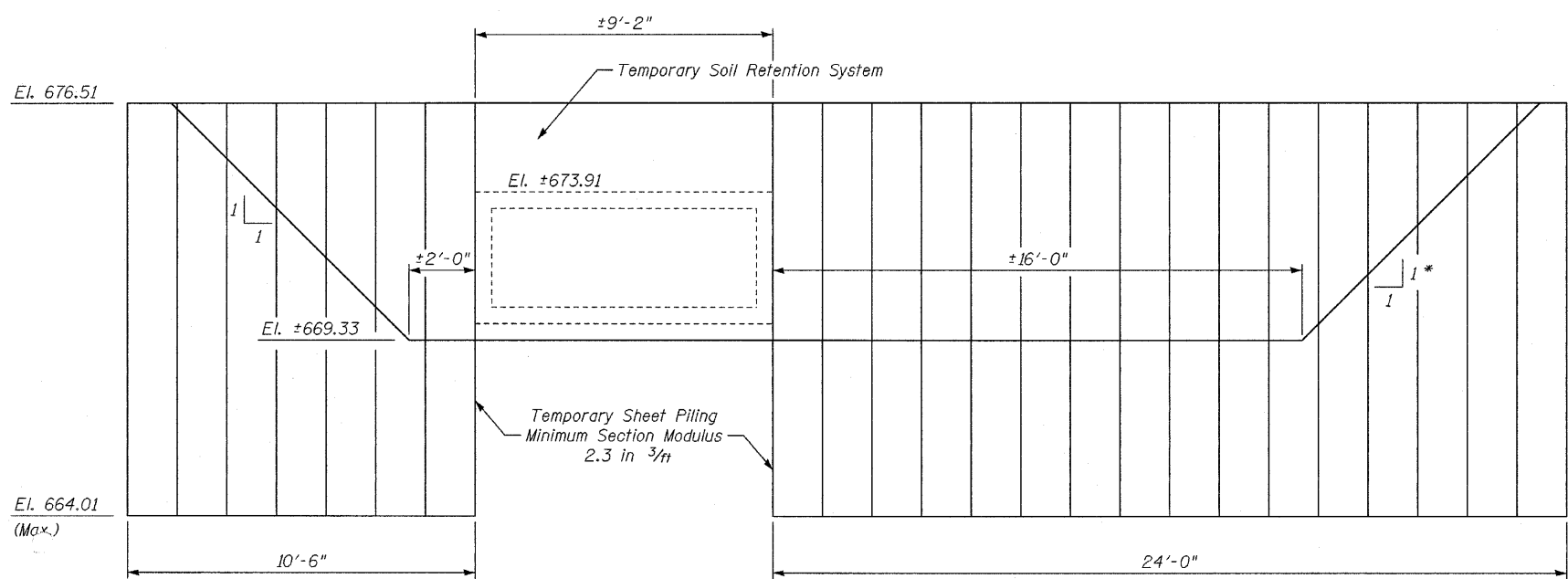


STATE OF ILLINOIS
DEPARTMENT OF TRANSPORTATION



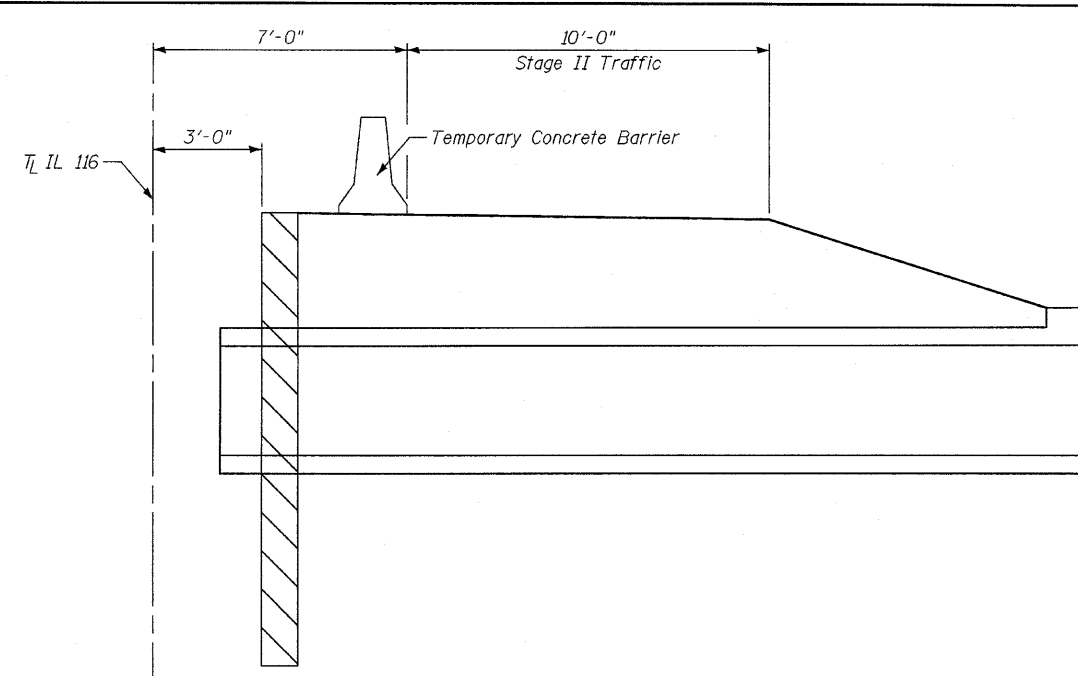
STAGE II TEMPORARY SHEET PILING

* At Rt. L's to new box culvert.



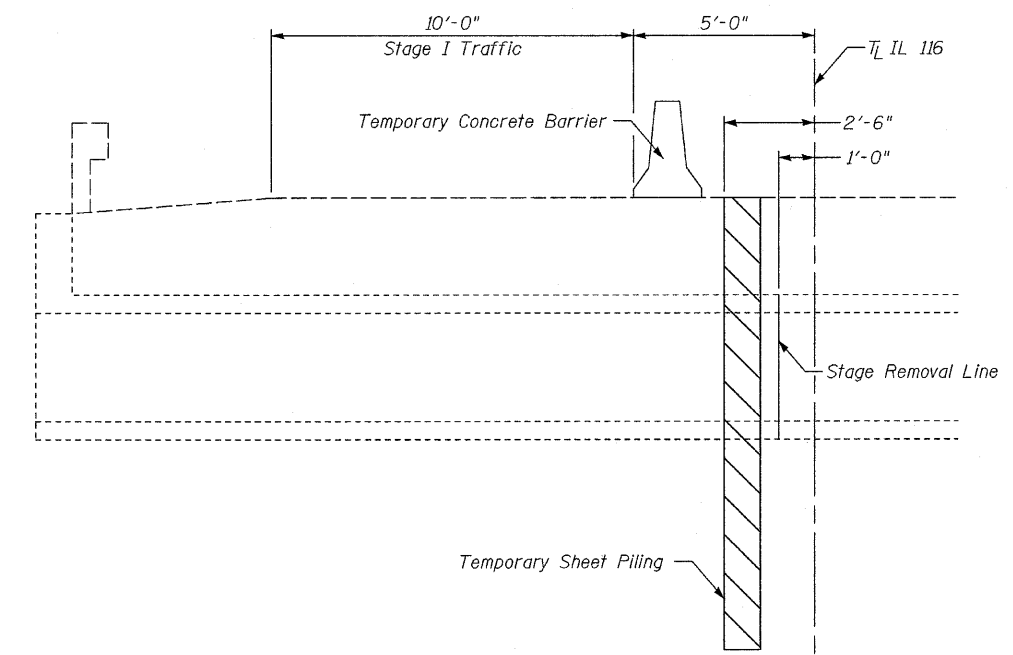
STAGE I TEMPORARY SHEET PILING

* At Rt. L's to new box culvert.



STAGE II

(Looking East)



STAGE I

(Looking East)

SUMMARY OF QUANTITIES FOR BOX CULVERT

ITEM	UNIT	TOTAL
Porous Granular Embankment	Cu Yd	241
Remove Existing Culverts	Each	1
Reinforcement Bars	Pound	6060
Temporary Sheet Piling	Sq Ft	713
Concrete Box Culverts	Cu Yd	41.1
Precast Concrete Box Culvert 5'x3'	Foot	108
Temporary Soil Retention System	Sq Ft	76
Grating for Concrete Headwalls	Each	2

**STAGE CONSTRUCTION DETAILS &
TOTAL BILL OF MATERIALS
STRUCTURE NO. 053-2576**

DESIGNED	JKC
CHECKED	AJO
DRAWN	LAG
CHECKED	JKC

SHEET NO. 2	F.A.P. RTE.	SECTION	COUNTY	TOTAL SHEETS	SHEET NO.
	681	(115)I	LIVINGSTON	20	11
5 SHEETS	CONTRACT NO. 66870				
ILLINOIS FED. AID PROJECT					