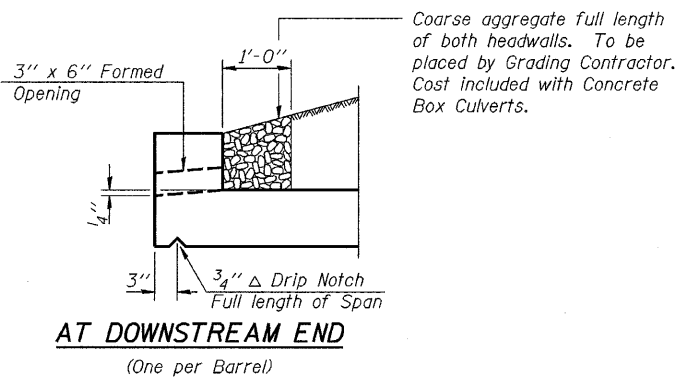
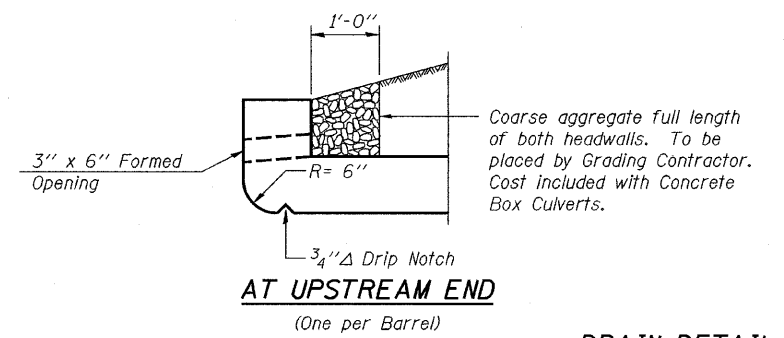
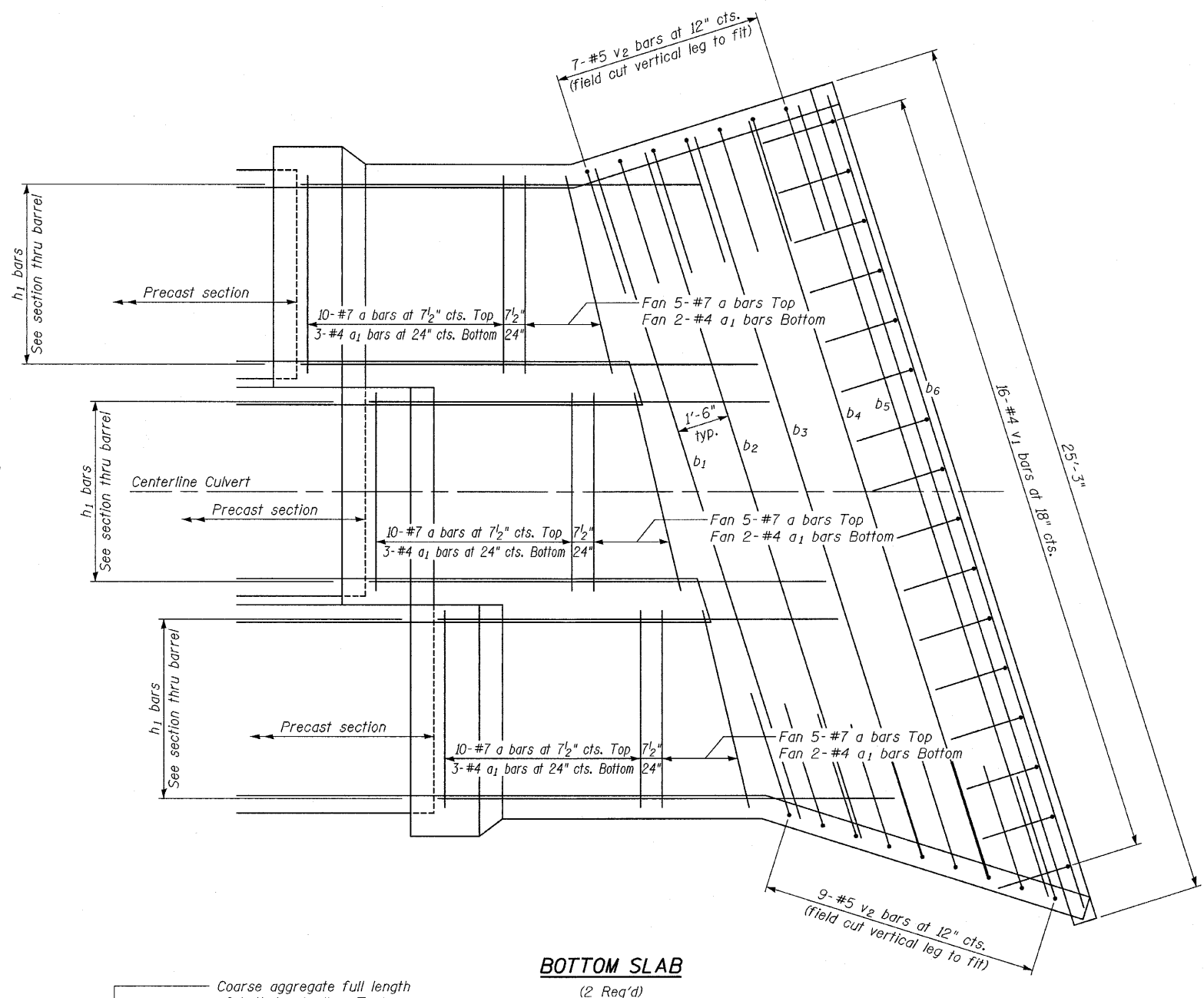
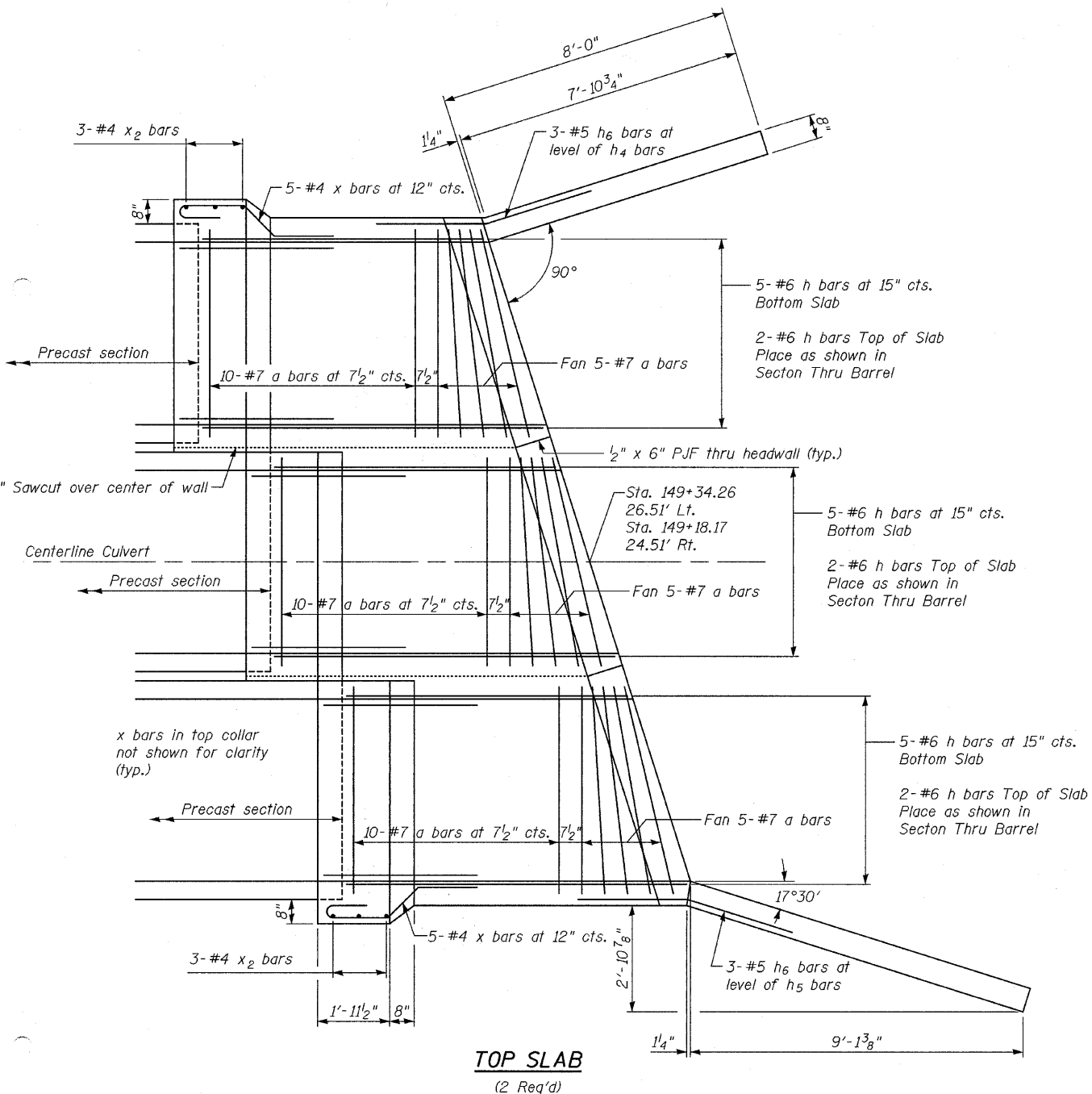


STATE OF ILLINOIS
DEPARTMENT OF TRANSPORTATION



DESIGNED	JKC
CHECKED	AJO
DRAWN	LAG
CHECKED	JKC

BOX CULVERT DETAILS
STRUCTURE NO. 053-2576

SHEET NO. 4	F.A.P. RTE.	SECTION	COUNTY	TOTAL SHEETS	SHEET NO.
	681	(115)I	LIVINGSTON	20	13
5 SHEETS	CONTRACT NO. 66870				
ILLINOIS FED. AID PROJECT					