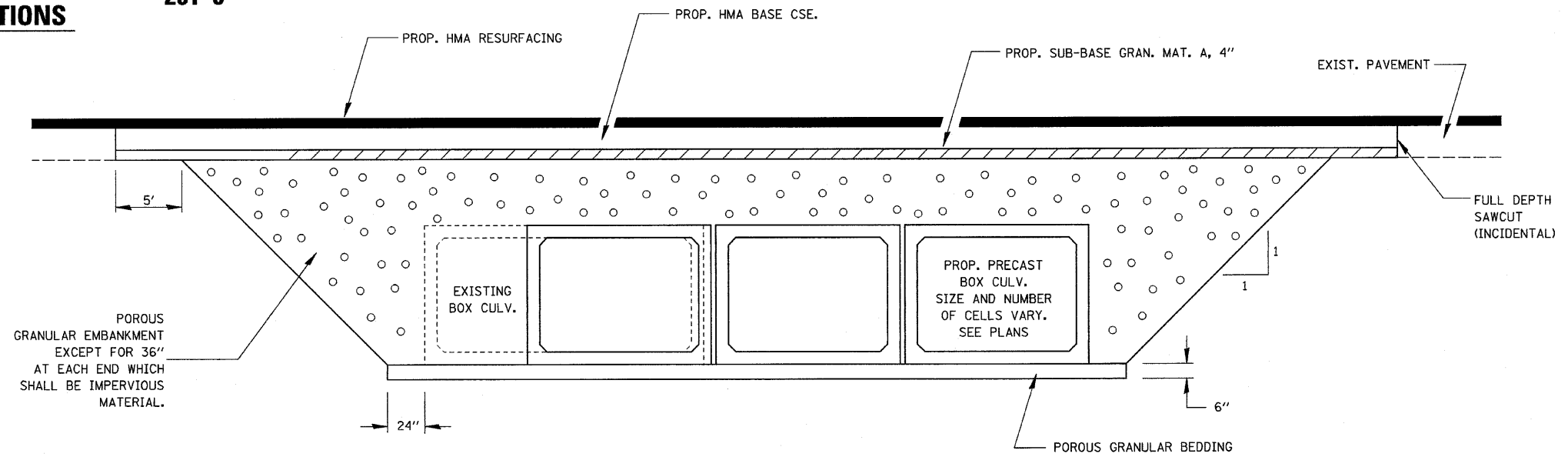
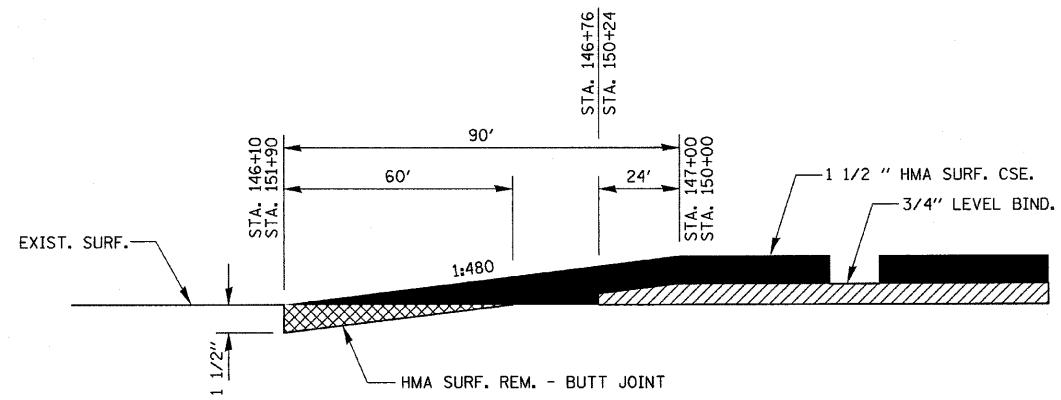


**EROSION CONTROL BLANKET
AT BOX CULVERT END SECTIONS**

251-3



SECTION THROUGH PRECAST BOX CULVERT

FILE NAME = 0366870-SHT-DETAILS.DGN	USER NAME = ---	DESIGNED - JKC	REVISED - ---	STATE OF ILLINOIS DEPARTMENT OF TRANSPORTATION	DETAILS	F.A.P. RTE.	SECTION	COUNTY	TOTAL SHEETS	SHEET NO.
	PLOT SCALE = 1"=1'	DRAWN - NV	REVISED - ---			681	(1151)	LIVINGSTON	20	17
PLOT DATE = 01/10	CHECKED - JKC	REVISED - ---	CONTRACT NO. 66870							
	DATE - 01/10	REVISED - ---	ILLINOIS FED. AID PROJECT							
SCALE: NONE SHEET NO. ___ OF ___ SHEETS STA. _____ TO STA. _____										