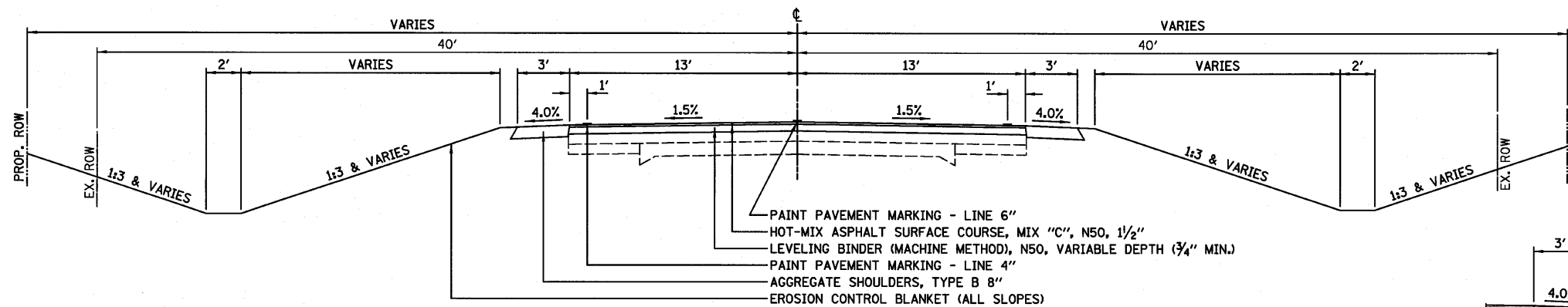


EXISTING TYPICAL CROSS SECTION

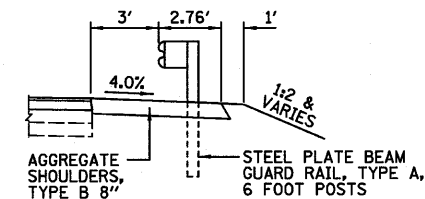
F.A.P. 681 (IL116)



PROPOSED TYPICAL CROSS SECTION ①

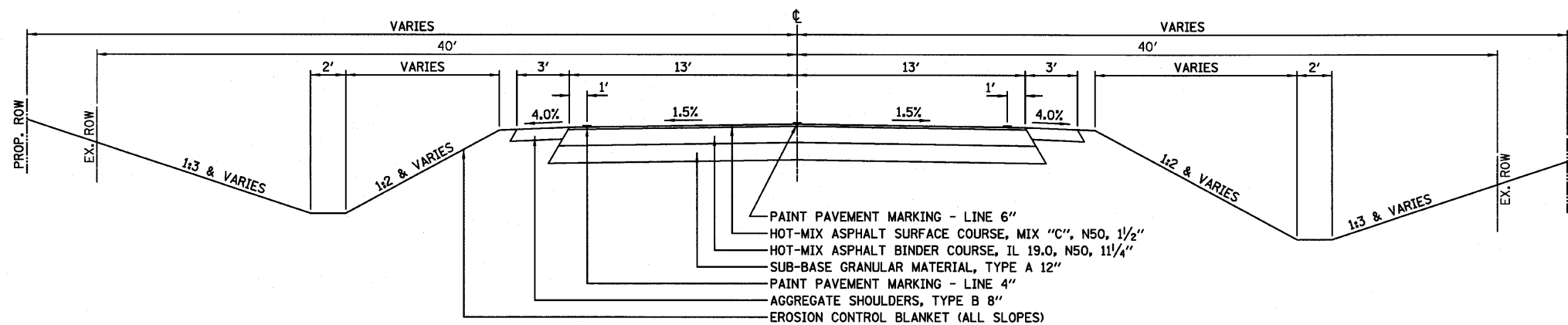
F.A.P. 681 (IL116)

STA 105+00.00 TO STA 105+72.00
STA 107+00.00 TO STA 109+00.00



DETAIL AT GUARDRAIL

STA 106+92.75 RT TO STA 108+05.25 RT
STA 107+03.95 LT TO STA 108+66.45 LT



PROPOSED TYPICAL CROSS SECTION ②

F.A.P. 681 (IL116)

STA 105+72.00 TO STA 107+00.00

FILE NAME =	USER NAME = *USER*	DESIGNED - JML	REVISED -	STATE OF ILLINOIS DEPARTMENT OF TRANSPORTATION	TYPICAL SECTIONS			F.A.P. RTE. 681	SECTION *	COUNTY FORD/IROQUOIS	TOTAL SHEETS 146	SHEET NO. 9
FILEL		DRAWN - DJM	REVISED -		SCALE:	SHEET NO. OF SHEETS	STA. TO STA.	SN 027-2553 CONTRACT NO. 66880				
		CHECKED - MSW	REVISED -					FED. ROAD DIST. NO. [ILLINOIS] FED. AID PROJECT				
		DATE - 08/04/10	REVISED -					* 116 BR/1116 BR, (BR-2)BR, I & BR-3J 24-8271				