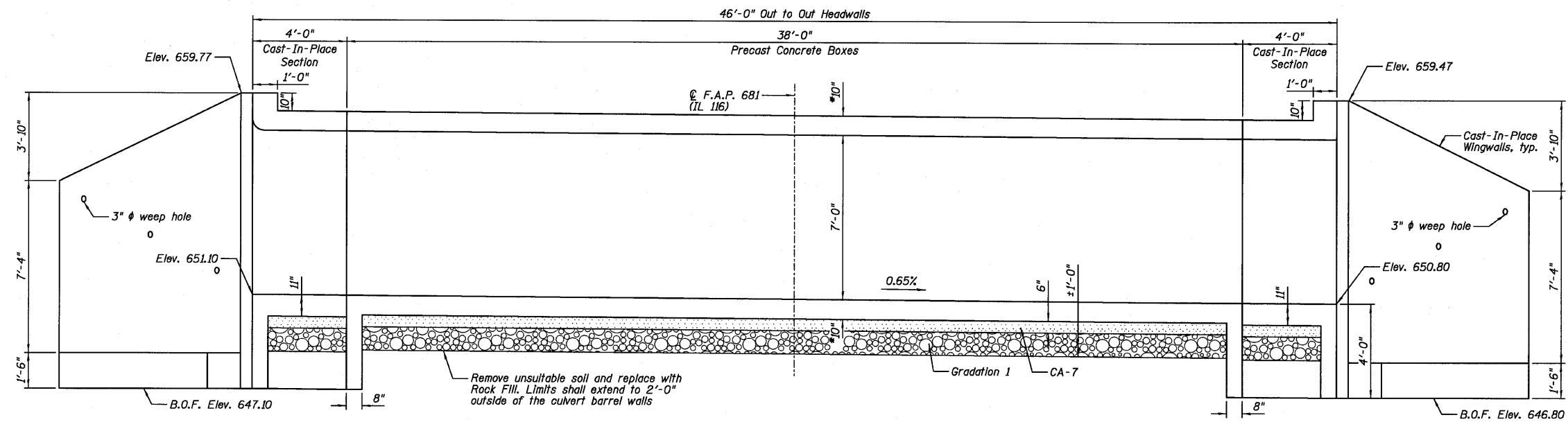
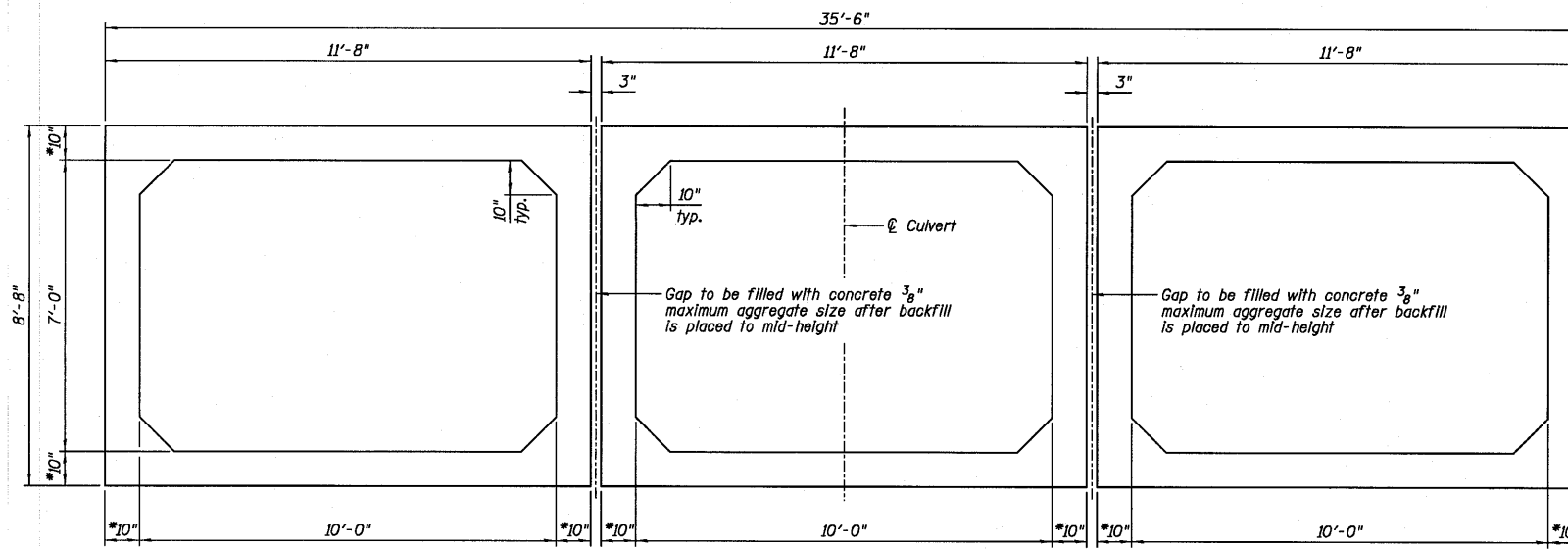


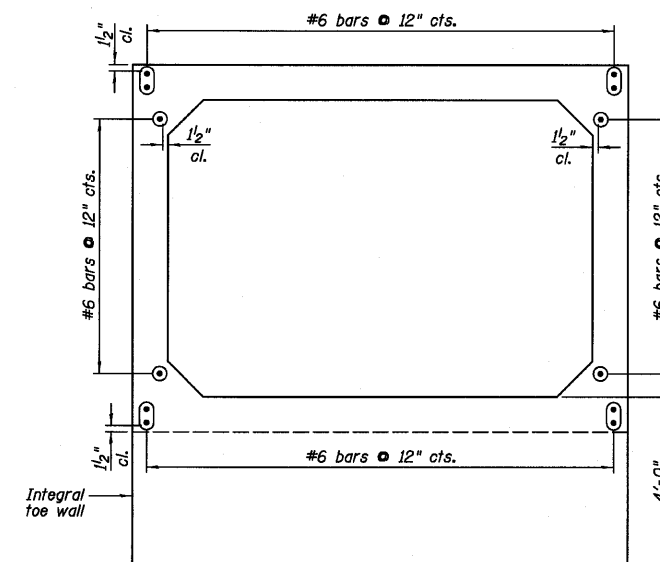
STATE OF ILLINOIS  
DEPARTMENT OF TRANSPORTATION



**LONGITUDINAL SECTION**  
(Looking East @ C of Culvert)



**SECTION THRU PRECAST CONCRETE BARRELS**



**PRECAST CONCRETE CULVERT END ELEVATION**  
Section is symmetrical about C of Culvert

**LONGITUDINAL SECTION,  
SECTION THRU PRECAST  
BARRELS AND PRECAST  
END ELEVATION  
STRUCTURE NO. 027-2018**

DESIGNED	SDH
CHECKED	JML
DRAWN	JWK/DJM
CHECKED	MSW
DATE	08/04/10

**NOTES:**

- 1.) Confirm slab and wall thickness with Precaster.
- 2.) For Cast-In-Place concrete portions, see Sheets B4-B6.
- 3.) B.O.F. denotes Bottom Of Footing.
- 4.) Cost of reinforcing bars extending from precast barrels included with the cost of Precast Concrete Box Culvert.

<b>Farnsworth GROUP, INC.</b> 2709 McGraw Drive Bloomington, Illinois 61704 309/663-8435, 309/663-1571 fax	SHEET NO. B3	F.A.P. RTE.	SECTION	COUNTY	TOTAL SHEETS	SHEET NO.
	8 SHEETS	681	*	FORD/IROQUOIS	146	50
		FED. ROAD DIST. NO.		ILLINOIS FED. AID PROJECT		CONTRACT NO. 66880