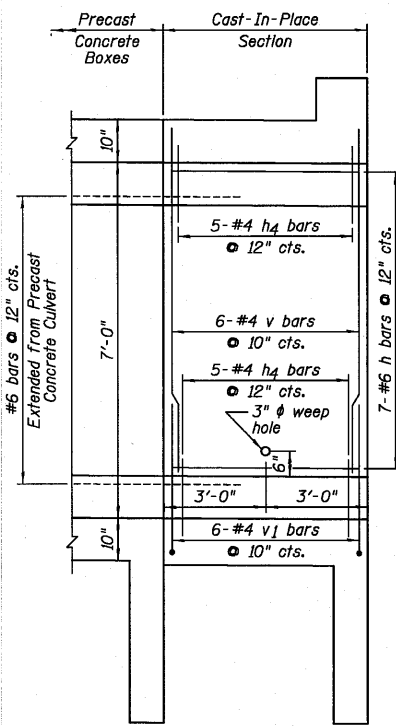


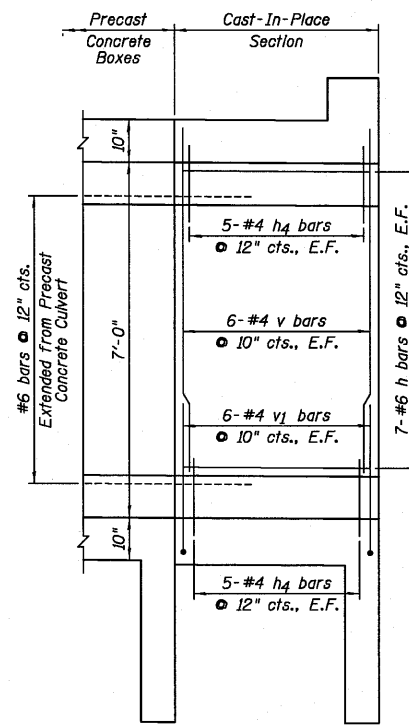
STATE OF ILLINOIS
DEPARTMENT OF TRANSPORTATION

CAST-IN-PLACE CULVERT
BILL OF MATERIAL

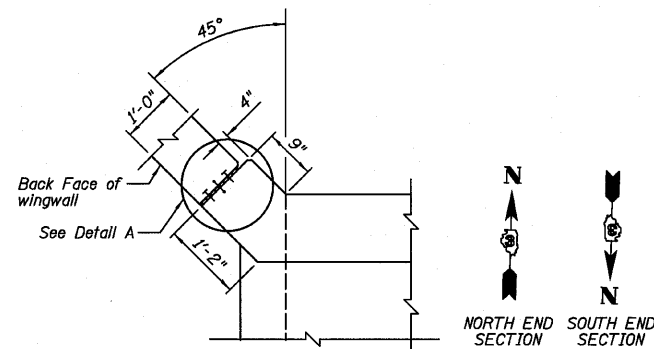
Bar	No.	Size	Length	Shape
a	24	#7	35'-2"	—
a1	8	#7	36'-10"	—
a2	8	#7	23'-4"	—
d	92	#4	5'-3"	—
h	388	#6	3'-8"	—
h1	76	#6	10'-7"	—
h2	4	#6	35'-2"	—
h3	4	#6	35'-2"	—
h4	120	#4	2'-6"	—
h5	8	#5	35'-2"	—
n(E)	60	#6	5'-8"	—
s	36	#4	5'-1"	—
s1	36	#4	4'-11"	—
t	96	#5	7'-3"	—
v	72	#4	6'-10"	—
v1	72	#4	3'-7"	—
v2	30	#5	18'-2"	—
v3	8	#4	18'-2"	—
w	64	#5	10'-7"	—
Item		Unit	Quantity	
Reinforcement Bars		Pound	10,130	
Reinforcement Bars, Epoxy Coated		Pound	510	
Name Plates		Each	1	
Concrete Box Culverts		Cu. Yd.	71.4	



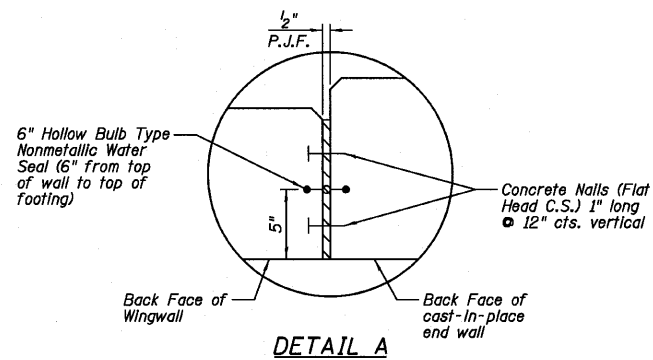
EXTERIOR WALL



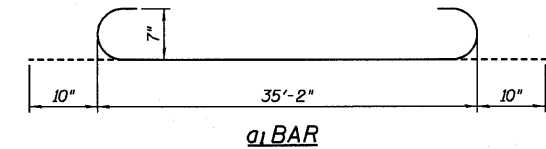
INTERIOR WALL



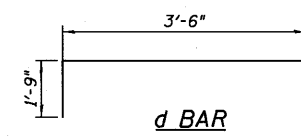
CORNER DETAIL



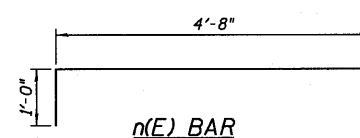
DETAIL A



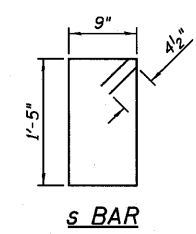
a1 BAR



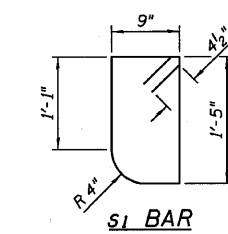
d BAR



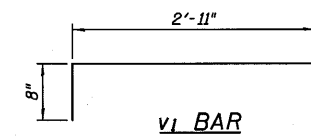
n(E) BAR



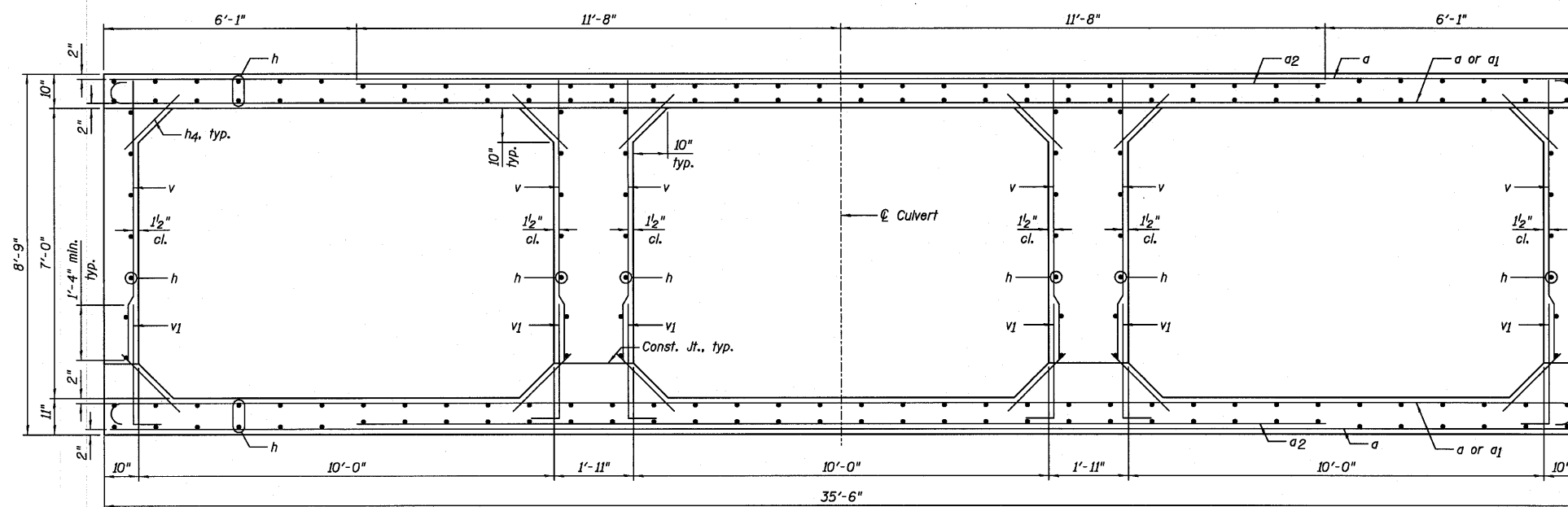
s BAR



s1 BAR



v1 BAR



SECTION THRU CAST-IN-PLACE CONCRETE BARREL

BAR CUTTING DIAGRAM

BAR	A	B	C	D	E	F	L
v2	11'-0"	7'-2"	11'-0"	7'-2"	2	15	18'-2"
v3	11'-0"	7'-2"	11'-0"	7'-2"	2	4	18'-2"

CAST-IN-PLACE CONCRETE CULVERT
SECTIONS, DETAILS AND
BILL OF MATERIAL
STRUCTURE NO. 027-2018

DESIGNED	SDH
CHECKED	JML
DRAWN	JWK/DJM
CHECKED	MSW
DATE	08/04/10

Farnsworth GROUP, INC. 2709 McGraw Drive Bloomington, Illinois 61704 309/663-8435, 309/663-1571 fax	SHEET NO. B4	F.A.P. RTE. 681	SECTION *	COUNTY FORD/IROQUOIS	TOTAL SHEETS 146	SHEET NO. 51
	8 SHEETS	FED. ROAD DIST. NO. ILLINOIS FED. AID PROJECT		CONTRACT NO. 66880		