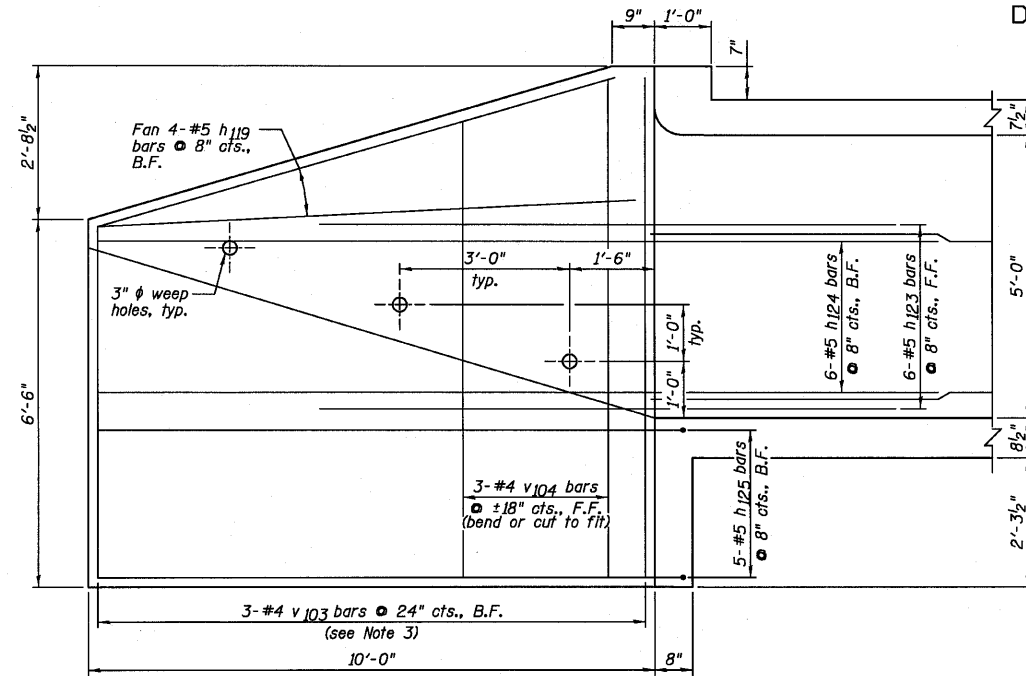
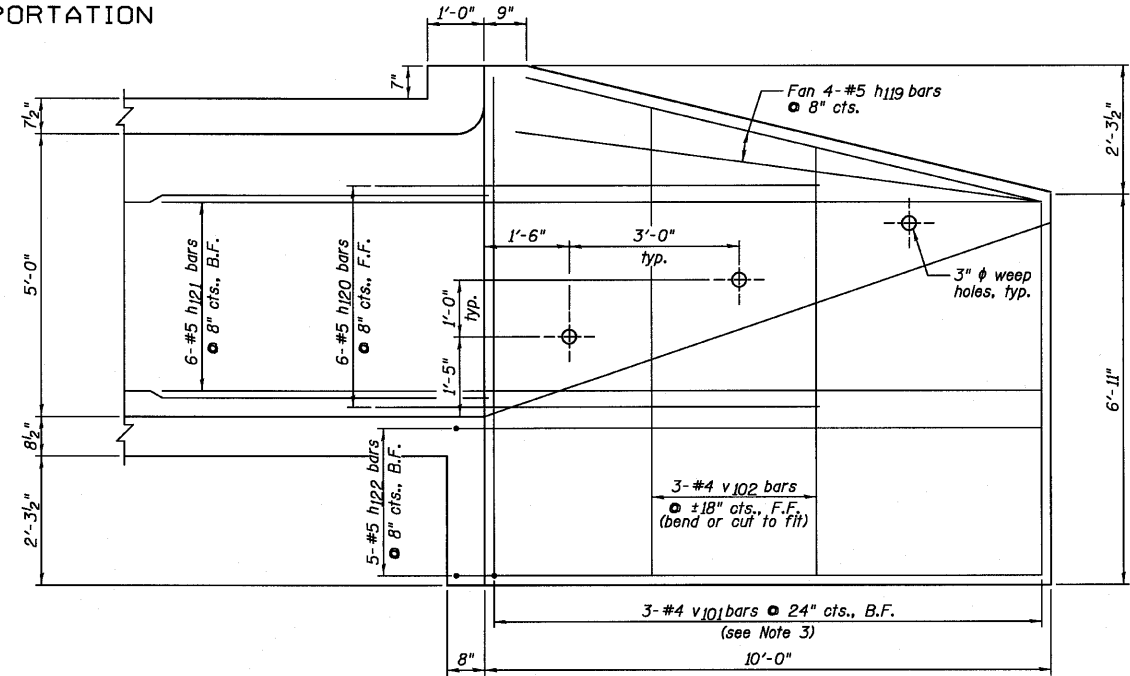


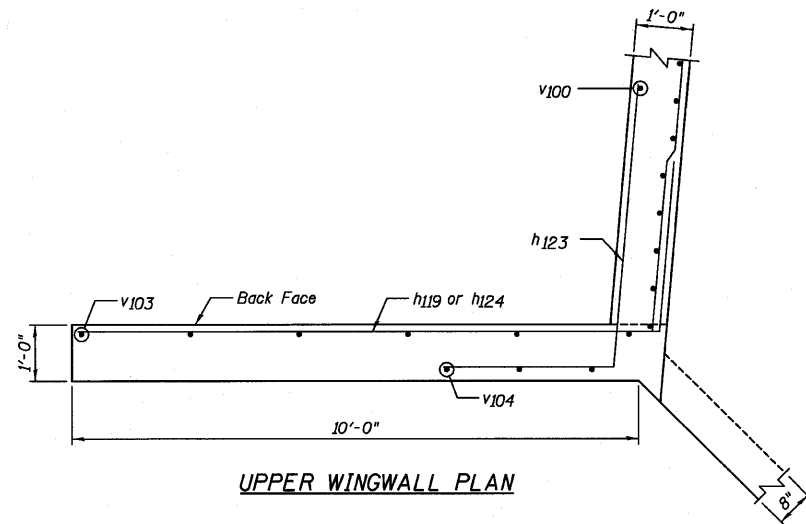
STATE OF ILLINOIS
DEPARTMENT OF TRANSPORTATION



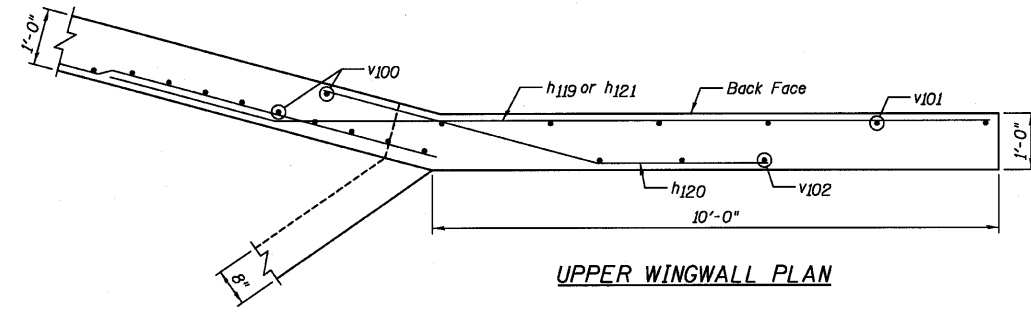
NORTHEAST WINGWALL ELEVATION



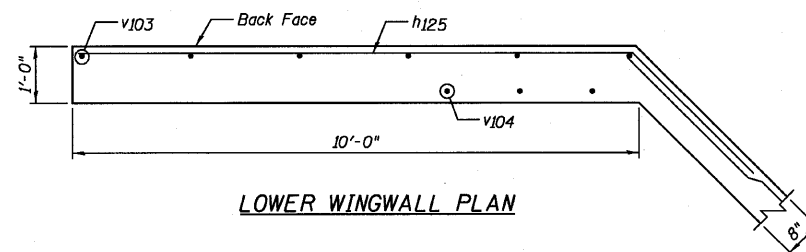
NORTHWEST WINGWALL ELEVATION



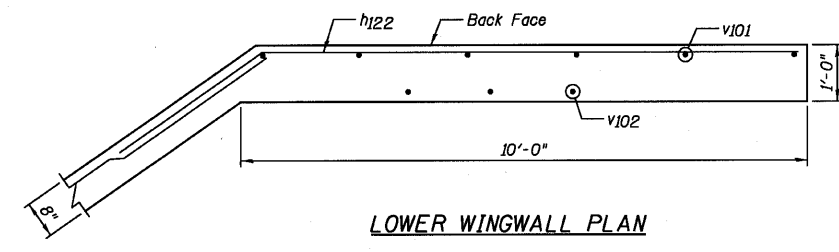
UPPER WINGWALL PLAN



UPPER WINGWALL PLAN



LOWER WINGWALL PLAN



LOWER WINGWALL PLAN

| | |
|----------|---------|
| DESIGNED | SDH |
| CHECKED | JML |
| DRAWN | JWK/DJM |
| CHECKED | MSW |

DATE 08/04/10

NOTES:

- 1.) For Bill of Material, see Sheet C5.
- 2.) For bar extension length, see Sheet C3.
- 3.) Order v101 and v103 bars full length, cut according to Bar Cutting Diagram on Sheet C5. Use all bars in back face of wingwall.

Farnsworth GROUP, INC.
2709 McGraw Drive
Bloomington, Illinois 61704
309/663-8435, 309/663-1571 fax

SHEET NO. C10
12 SHEETS

| F.A.P. RTE. | SECTION | COUNTY | TOTAL SHEETS | SHEET NO. |
|---------------------|---------|---------------------------|--------------|-----------|
| 681 | * | FORD/IROQUOIS | 146 | 65 |
| FED. ROAD DIST. NO. | | ILLINOIS FED. AID PROJECT | | |
| | | CONTRACT NO. 66880 | | |

WINGWALLS
STRUCTURE NO. 027-2553

* 116 BR/L116 BR, (BR-2)BR, I & BR-31

24-8271