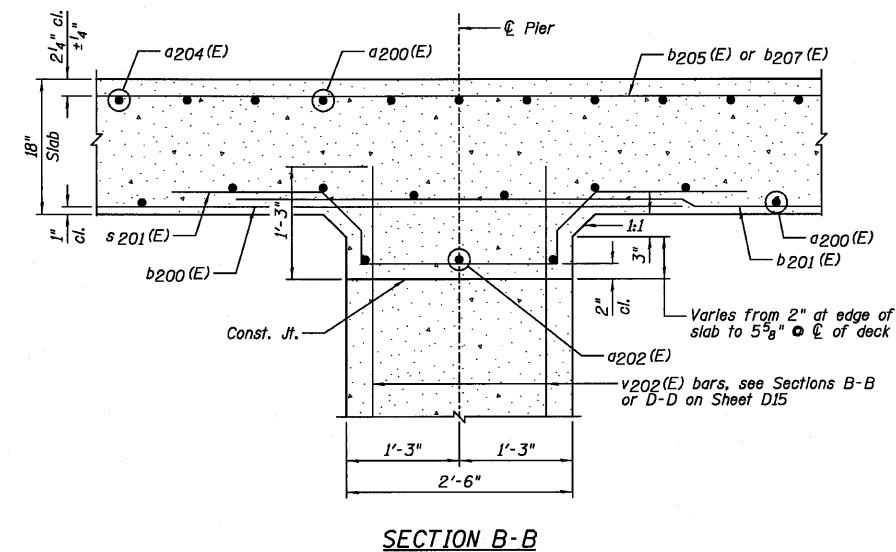
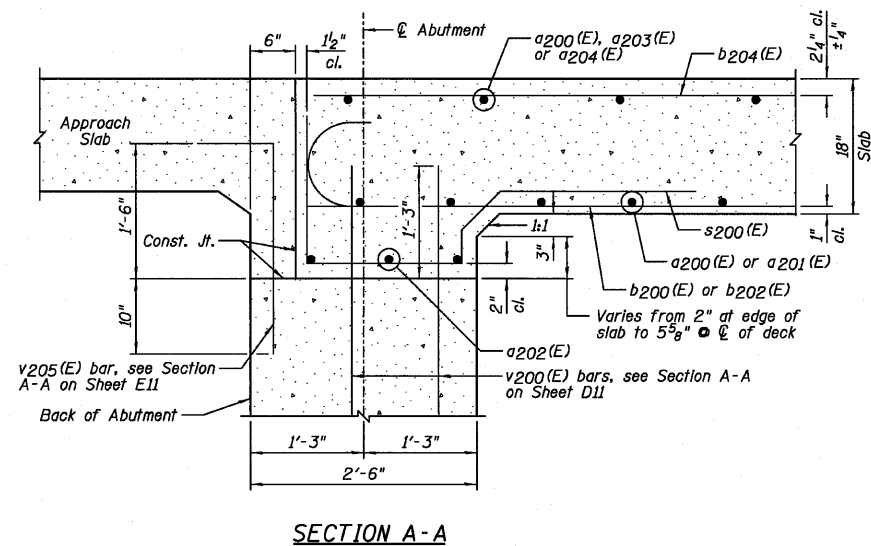
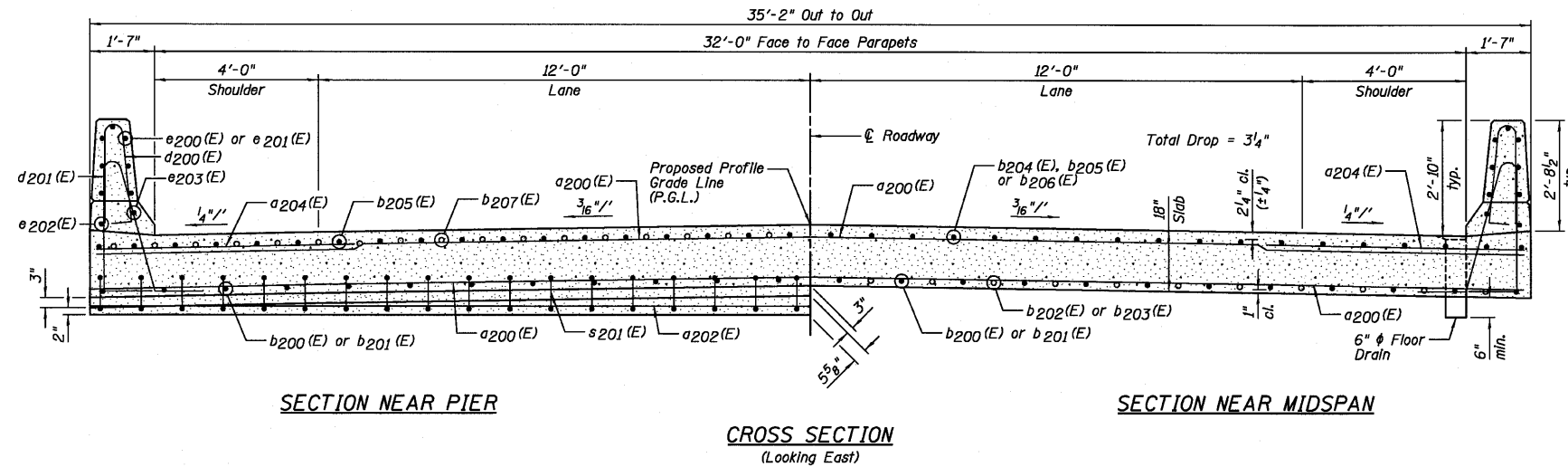


STATE OF ILLINOIS
DEPARTMENT OF TRANSPORTATION



DESIGNED	SDH
CHECKED	JML
DRAWN	JWK/DJM
CHECKED	MSW

DATE 08/04/10

NOTES:

- 1.) For Section Thru Parapet, see Sheet D8.
- 2.) For locations of Sections A-A and B-B, see Sheets D5 and D6.

Farnsworth GROUP, INC.
2709 McGraw Drive
Bloomington, Illinois 61704
309/663-8435, 309/663-1571 fax

SHEET NO. D7
18 SHEETS

F.A.P. RTE.	SECTION	COUNTY	TOTAL SHEETS	SHEET NO.
681	*	FORD/IROQUOIS	146	74
FED. ROAD DIST. NO.		ILLINOIS FED. AID PROJECT		
		CONTRACT NO. 66880		

**SUPERSTRUCTURE CROSS SECTION
STRUCTURE NO. 027-0100**

* 116 BR/L116 BR, (BR-2)BR, I & BR-31

24-8271