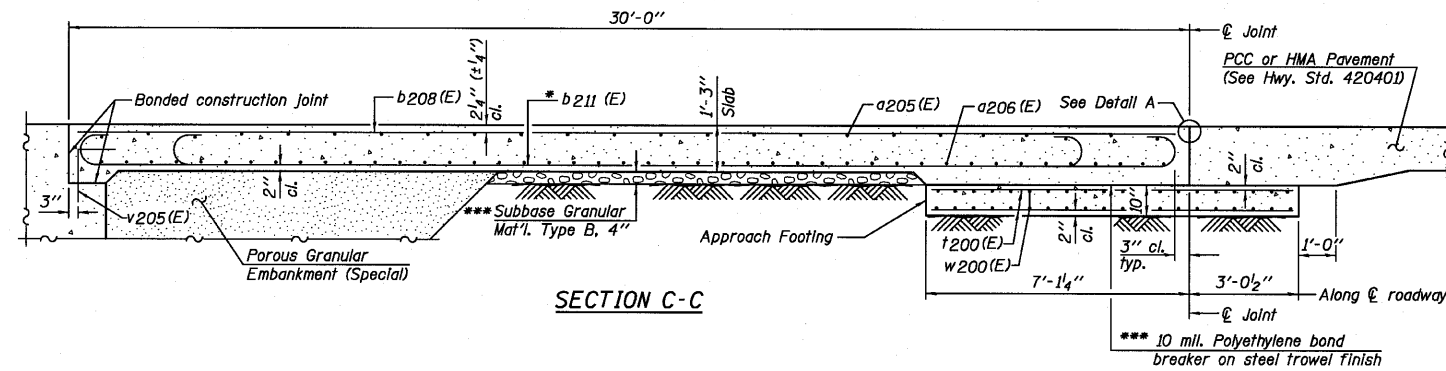


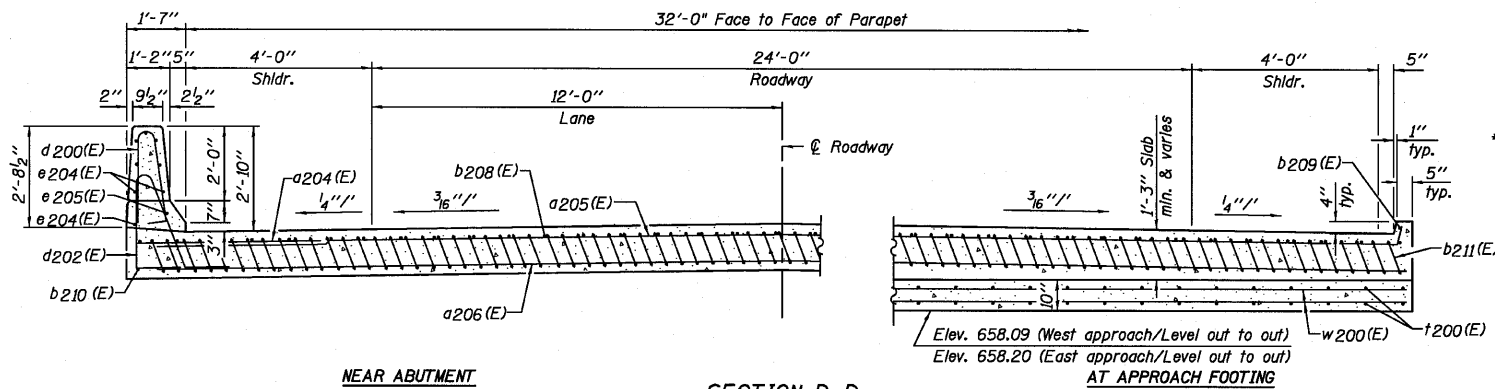
STATE OF ILLINOIS
DEPARTMENT OF TRANSPORTATION

Notes:

See Sheet D9 for Detail A and View B-B.
Approach slab and parapet concrete shall be paid for as Concrete Superstructure.
Approach footing concrete shall be paid for as Concrete Structures.
Reinforcement shall be paid for as Reinforcement Bars, Epoxy Coated.
For #200(E) bar details, see Sheets D11 and D12.
The approach footing maximum applied service bearing pressure (q_{max}) = 2.0 ksf.
Cost of excavation for approach footing included with Concrete Structures.
For Porous Granular Embankment (Special) and drainage treatment details, see Sheet D2.
For additional parapet details, see Sheet D9.



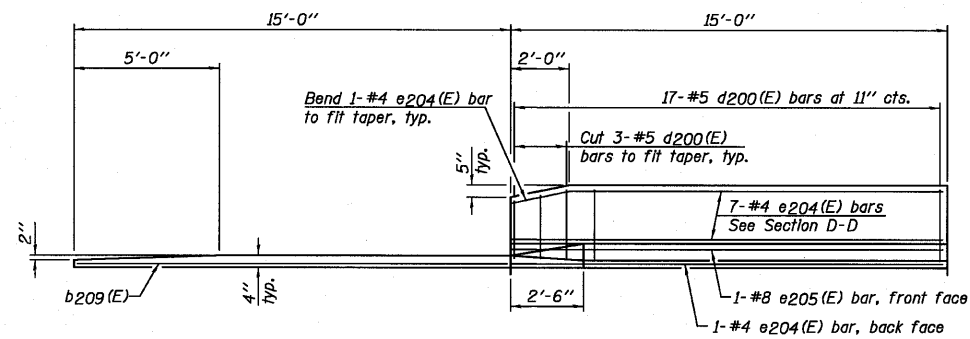
SECTION C-C



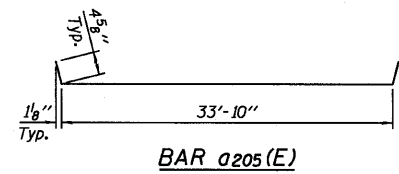
NEAR ABUTMENT

SECTION D-D

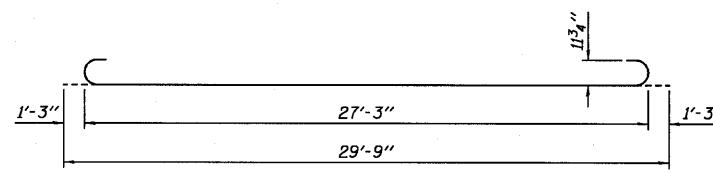
(See Plan for dimensions not shown)



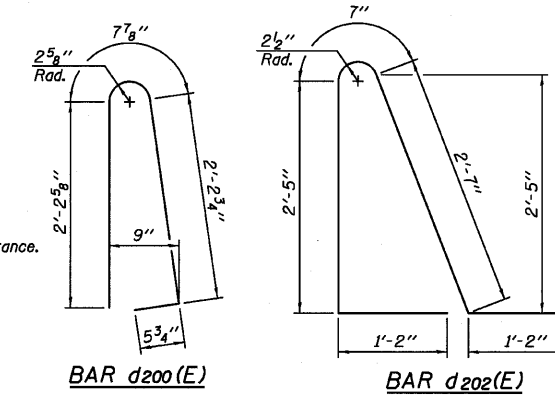
VIEW E-E



BAR a205(E)



BAR b211(E)



BAR d200(E)

BAR d202(E)

* Till #9 b211(E) bars as required to maintain clearance.
*** Cost included with Concrete Superstructure.

TWO APPROACHES
BILL OF MATERIAL

Bar	No.	Size	Length	Shape	
a204(E)	48	#6	6'-6"	—	
a205(E)	50	#4	34'-7"	—	
a206(E)	92	#5	34'-0"	—	
b208(E)	54	#4	29'-8"	—	
b209(E)	4	#4	14'-8"	—	
b210(E)	4	#4	14'-6"	—	
b211(E)	158	#9	29'-9"	—	
d200(E)	68	#5	5'-7"	—	
d202(E)	68	#5	7'-11"	—	
e204(E)	32	#4	14'-8"	—	
e205(E)	4	#8	14'-8"	—	
f200(E)	136	#4	9'-1"	—	
w200(E)	80	#5	34'-0"	—	
Item				Unit	Quantity
Concrete Superstructure				Cu. Yd.	107.0
Concrete Structures				Cu. Yd.	21.2
Reinforcement Bars, Epoxy Coated				Pound	27,170

DESIGNED	SDH
CHECKED	JML
DRAWN	JWK/DJM
CHECKED	MSW

DATE 08/04/10

BA-L

7-1-10

BRIDGE APPROACH SLAB DETAILS
STRUCTURE NO. 027-0100

F.A.P. RTE.	SECTION	COUNTY	TOTAL SHEETS	SHEET NO.
			681	*
SHEET NO. D10		CONTRACT NO. 66880		
18 SHEETS		ILLINOIS FED. AID PROJECT		

* 116 BR/[116 BR, (BR-2)BR, I & BR-3]

24-8271