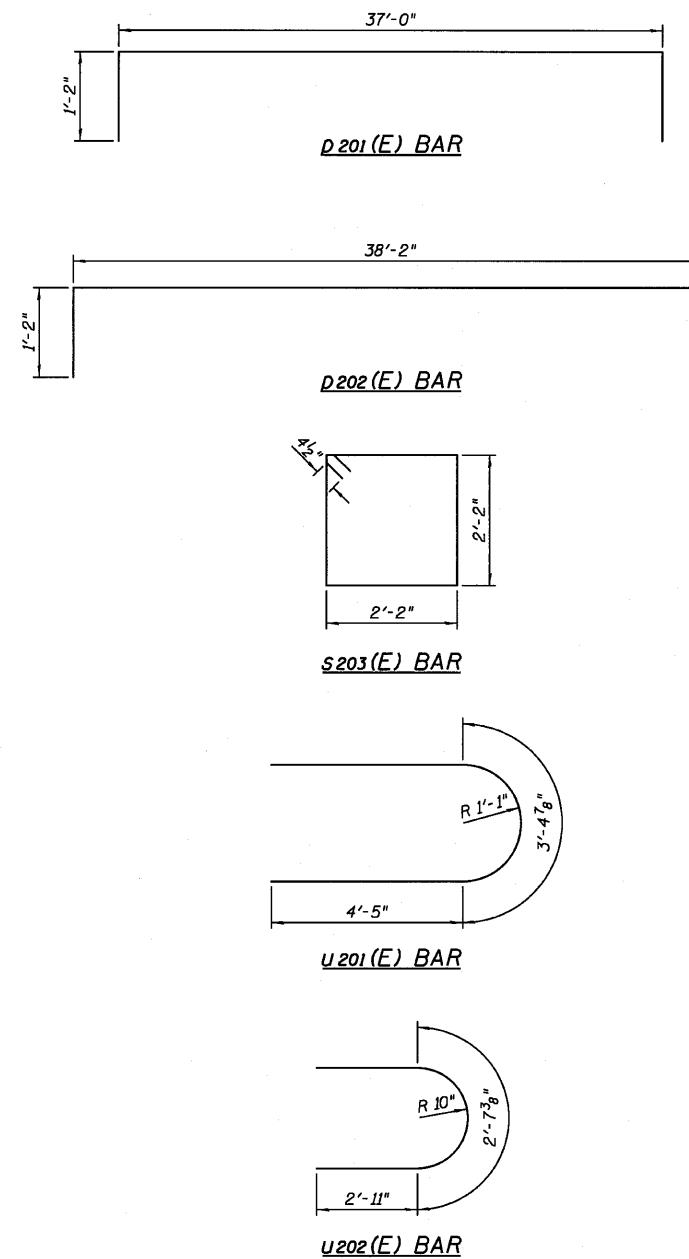
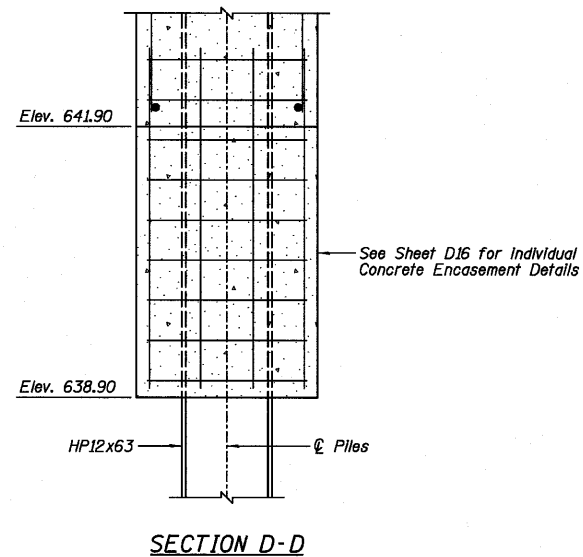
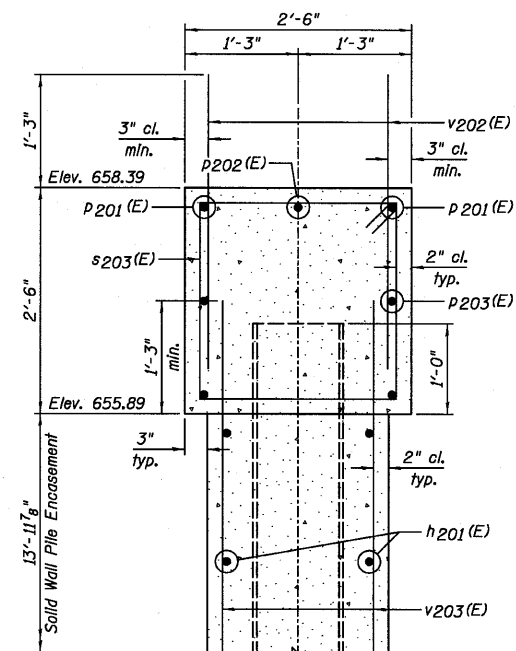
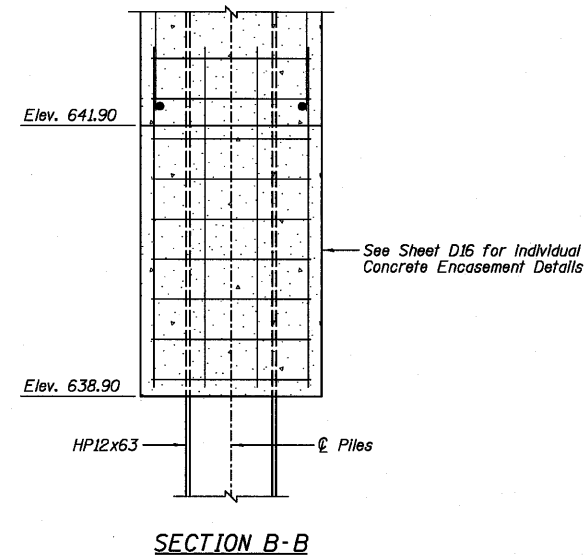
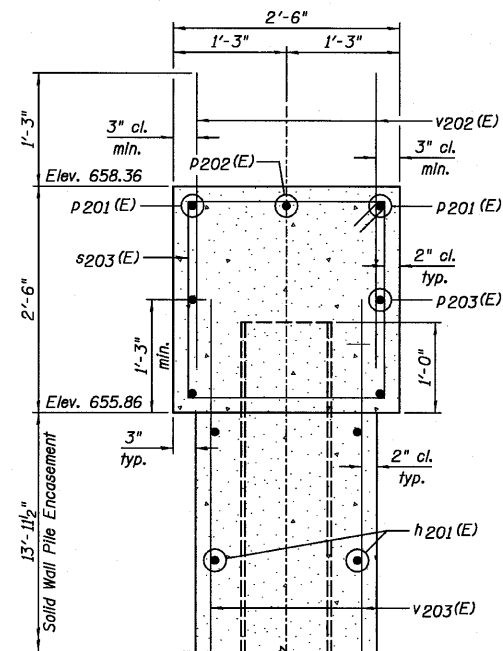


STATE OF ILLINOIS
DEPARTMENT OF TRANSPORTATION



NOTES:

- 1.) If a portion of the pier wall or concrete encasement is under water, reinforcement may be placed underwater into forms. Concrete shall be tremied according to Article 503.08 of the Standard Specifications to an elevation 1'-0" above the water line at the time of construction.
- 2.) See Sheet D13 for location of Section B-B.
- 3.) See Sheet D14 for location of Section D-D.

DESIGNED	SDH
CHECKED	JML
DRAWN	JWK/DJM
CHECKED	MSW

DATE 08/04/10

Farnsworth
GROUP, INC.
2709 McGraw Drive
Bloomington, Illinois 61704
309/663-8435, 309/663-1571 fax

SHEET NO. D15	F.A.P. RTE.	SECTION	COUNTY	TOTAL SHEETS	SHEET NO.
18 SHEETS	681	*	FORD/IROQUOIS	146	82
FED. ROAD DIST. NO.			ILLINOIS FED. AID PROJECT		
			CONTRACT NO. 66880		

* 116 BR/116 BR, (BR-2)BR, I & BR-31

24-8271

PIER DETAILS
STRUCTURE NO. 027-0100