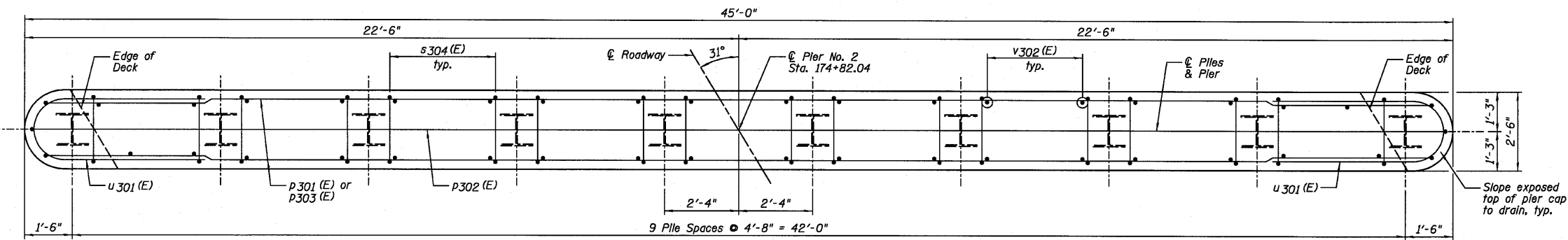
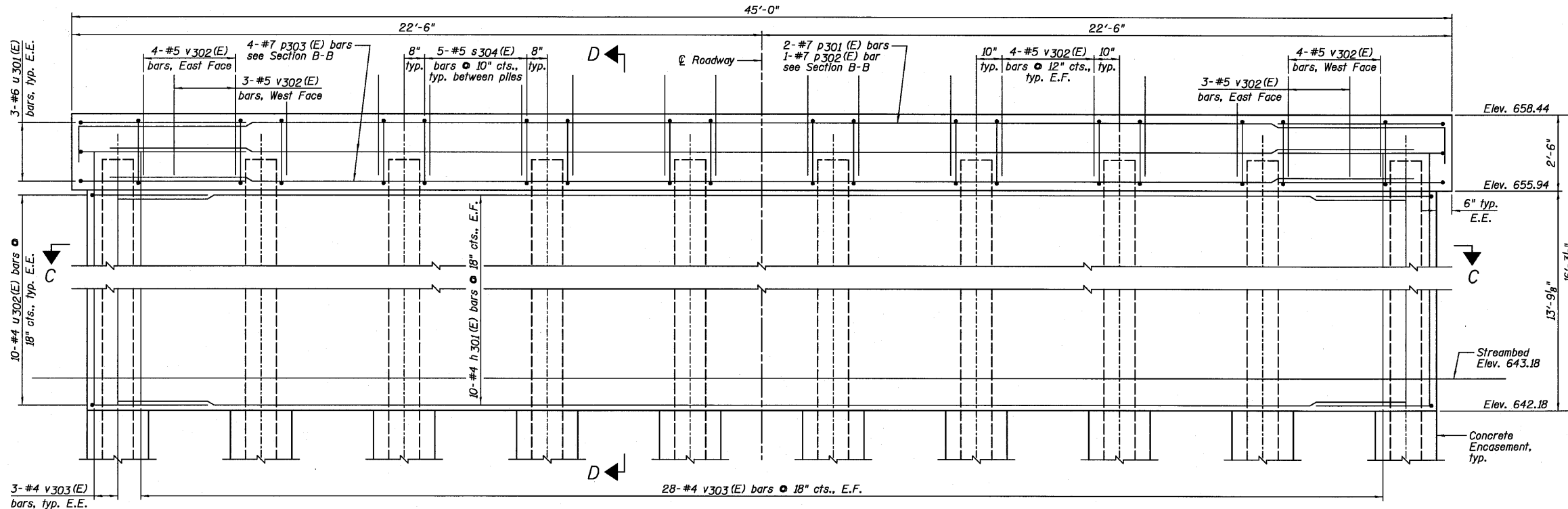


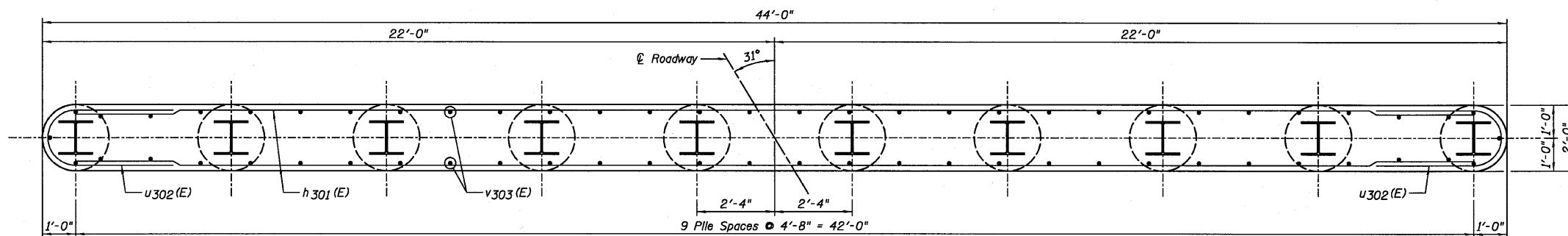
STATE OF ILLINOIS  
DEPARTMENT OF TRANSPORTATION



TOP PLAN



ELEVATION  
(Looking East)



SECTION C-C

PIER NO. 2  
BILL OF MATERIAL

Bar	No.	Size	Length	Shape
h 301 (E)	20	#4	42'-0"	—
p 301 (E)	2	#7	45'-8"	□
p 302 (E)	1	#7	46'-10"	□
p 303 (E)	4	#7	43'-4"	—
s 304 (E)	45	#4	9'-5"	□
u 301 (E)	6	#6	12'-0"	C
u 302 (E)	20	#4	8'-5"	C
v 302 (E)	70	#5	3'-3"	—
v 303 (E)	62	#4	14'-11"	—

Item	Unit	Quantity
Structure Excavation	Cu. Yd.	28
Concrete Structures	Cu. Yd.	54.7
Concrete Encasement	Cu. Yd.	3.5
Reinforcement Bars, Epoxy Coated	Pound	2,560
Furnishing Steel Piles HP12x63	Foot	350
Driving Piles	Foot	350
Pile Shoes	Each	10
Underwater Structure Excavation Protection - Location 4	Each	1

PILE DATA:

Pile Type and Size	Steel - HP12x63 with Pile shoes
Nominal Required Bearing	360 kips
Factored Resistance Available	180 kips
Estimated Pile Length	35 Feet
Number of Production Piles	10
Number of Test Piles	0

NOTES:

- 1.) If a portion of the pier wall or concrete encasement is under water, reinforcement may be placed under water into forms. Concrete shall be tremied according to Article 503.08 of the Standard Specifications to an elevation 1'-0" above the water line at the time of construction.
- 2.) E.F. denotes Each Face and E.E. denotes Each End.
- 3.) See Sheet E15 for Section D-D.

DESIGNED	SDH
CHECKED	JML
DRAWN	JWK/DJM
CHECKED	MSW
DATE	08/04/10

**Farnsworth GROUP, INC.**  
2709 McGraw Drive  
Bloomington, Illinois 61704  
309/663-8435, 309/663-1571 fax

SHEET NO. E14  
18 SHEETS

F.A.P. RTE.	SECTION	COUNTY	TOTAL SHEETS	SHEET NO.
681	*	FORD/IROQUOIS	146	99
FED. ROAD DIST. NO.		ILLINOIS FED. AID PROJECT		
CONTRACT NO. 66880				

PIER NO. 2  
STRUCTURE NO. 027-0098