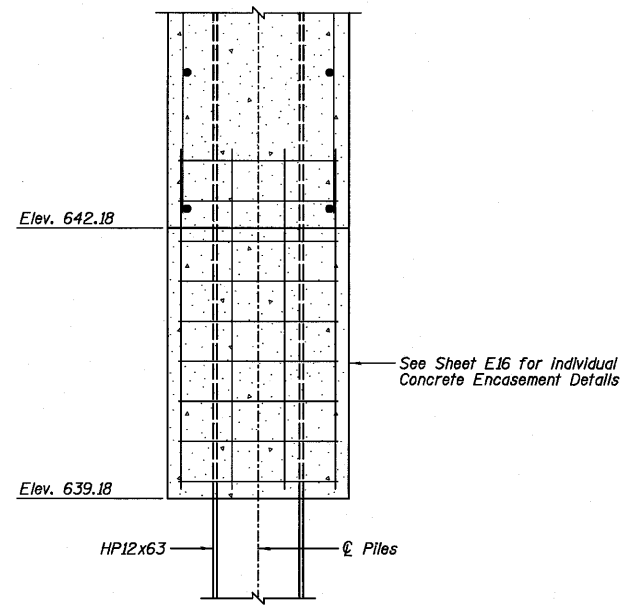
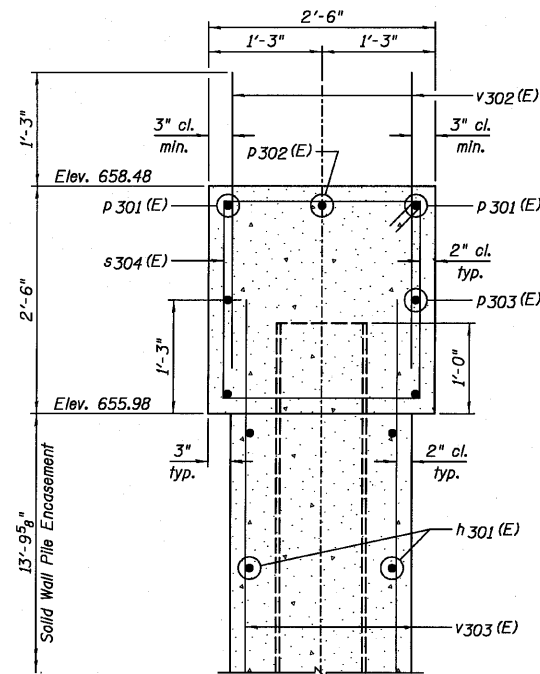
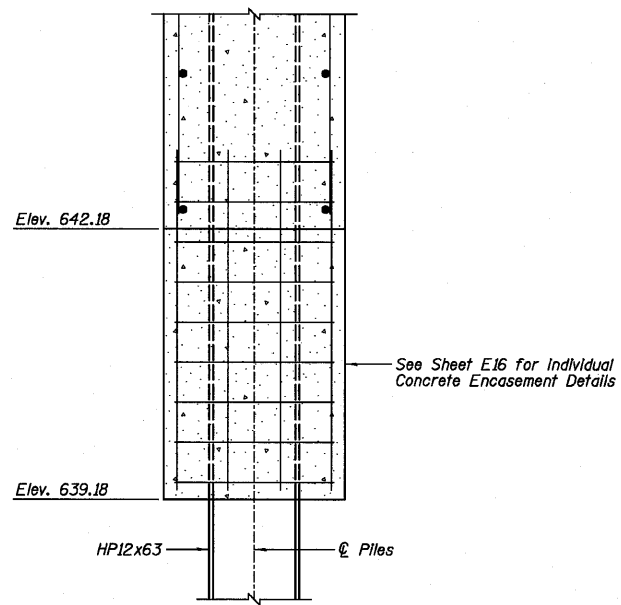
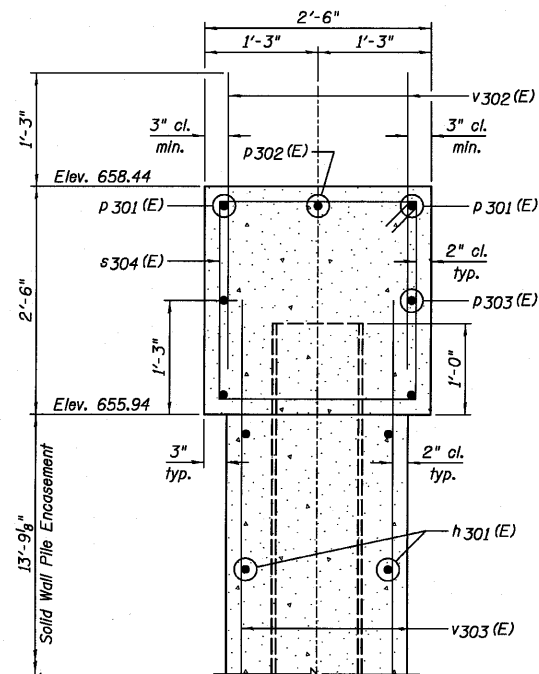


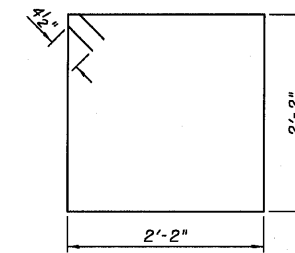
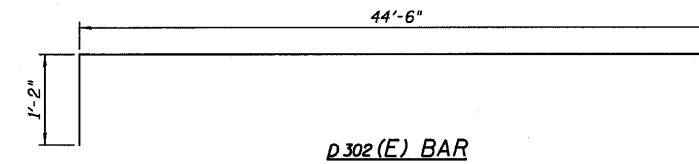
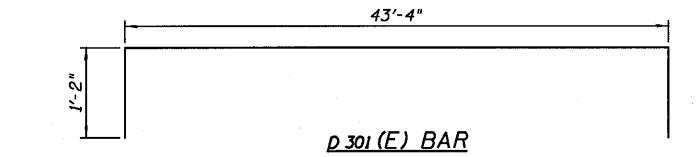
STATE OF ILLINOIS  
DEPARTMENT OF TRANSPORTATION



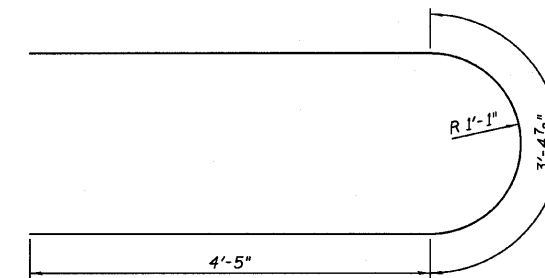
SECTION B-B



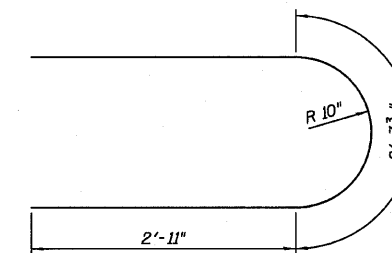
SECTION D-D



s 304 (E) BAR



U 301 (E) BAR



U 302 (E) BAR

NOTES:

- 1.) If a portion of the pier wall or concrete encasement is under water, reinforcement may be placed underwater into forms. Concrete shall be tremied according to Article 503.08 of the Standard Specifications to an elevation 1'-0" above the water line at the time of construction.
- 2.) See Sheet E13 for location of Section B-B.
- 3.) See Sheet E14 for location of Section D-D.

DESIGNED	SDH
CHECKED	JML
DRAWN	JWK/DJM
CHECKED	MSW

DATE 08/04/10

**Farnsworth GROUP, INC.**  
2709 McGraw Drive  
Bloomington, Illinois 61704  
309/663-8435, 309/663-1571 fax

SHEET NO. E15	F.A.P. RTE.	SECTION	COUNTY	TOTAL SHEETS	SHEET NO.
	681	*	FORD/IROQUOIS	146	100
18 SHEETS	CONTRACT NO. 66880				
FED. ROAD DIST. NO.		ILLINOIS FED. AID PROJECT			

PIER DETAILS  
STRUCTURE NO. 027-0098

\* 116 BR/[116 BR, (BR-2)BR, I & BR-3]

24-8271