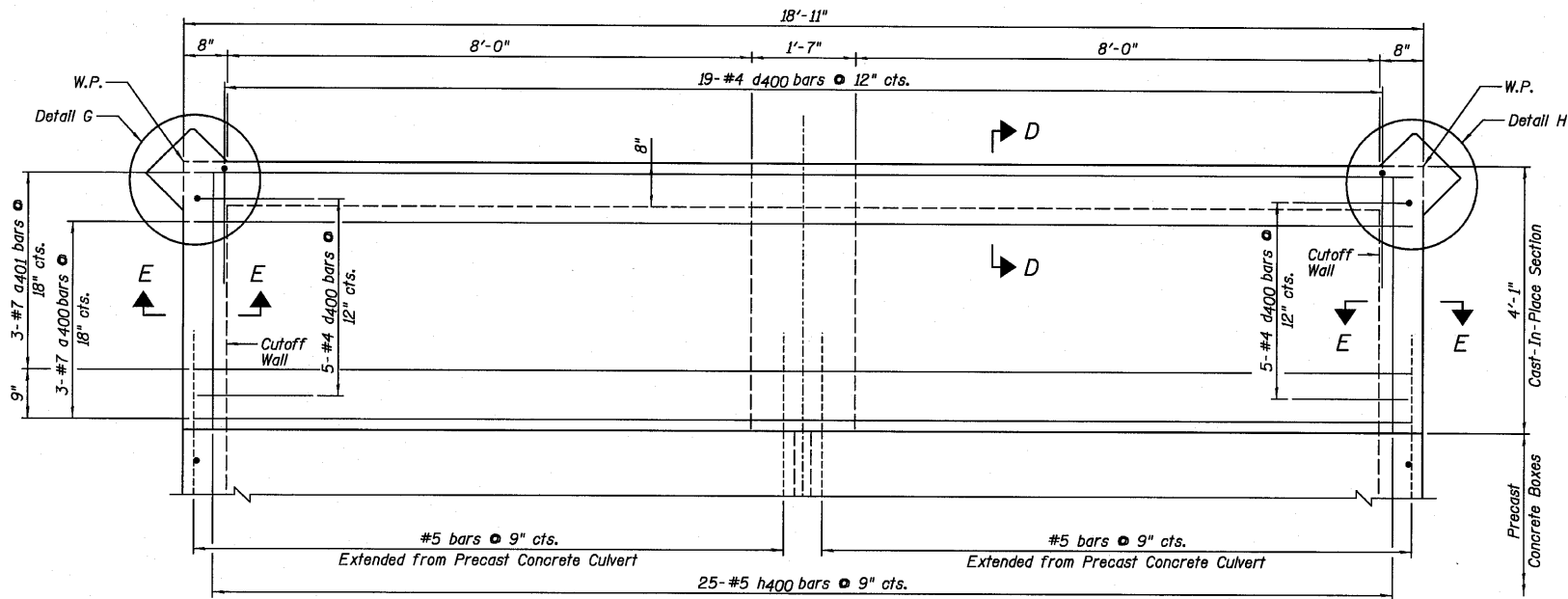
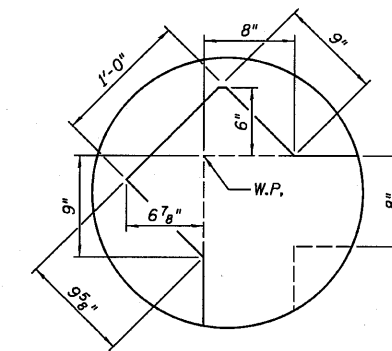


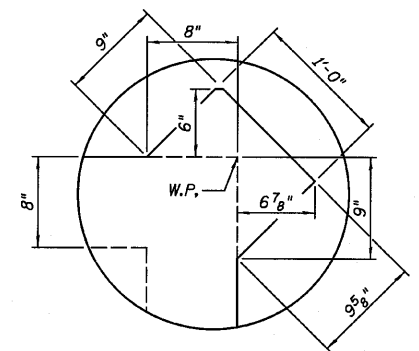
STATE OF ILLINOIS
DEPARTMENT OF TRANSPORTATION



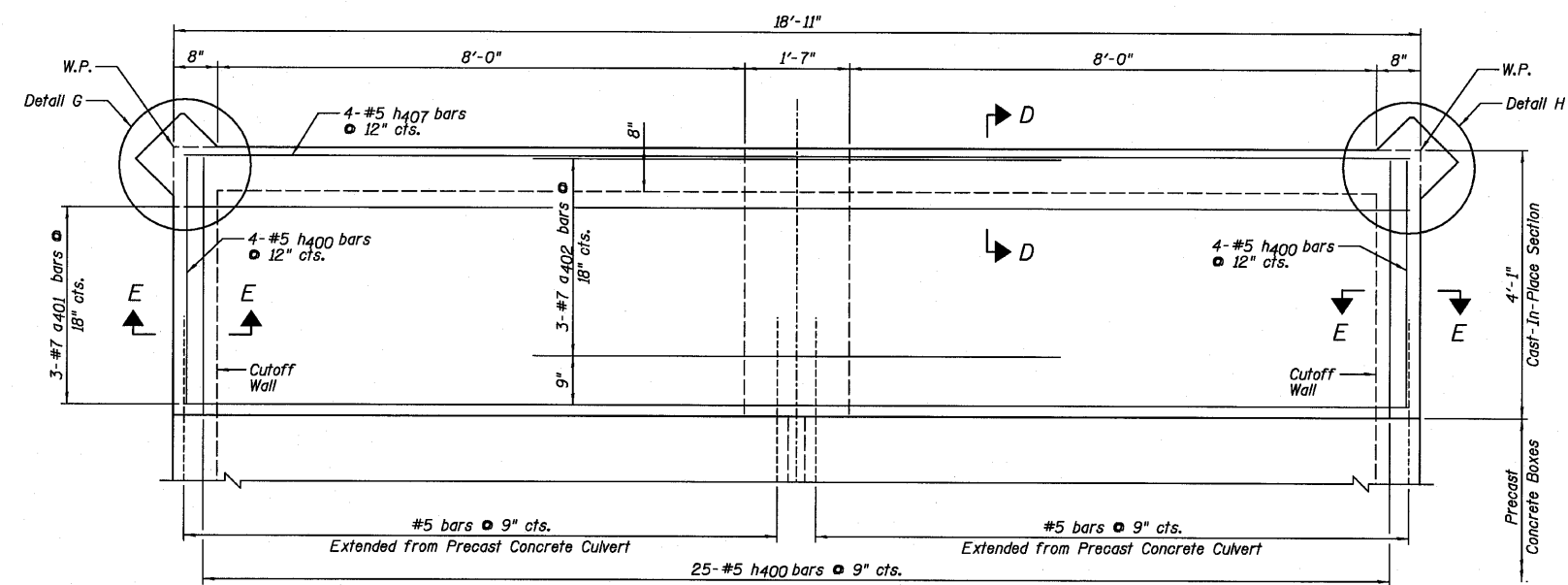
TOP MAT OF REINFORCEMENT PLAN



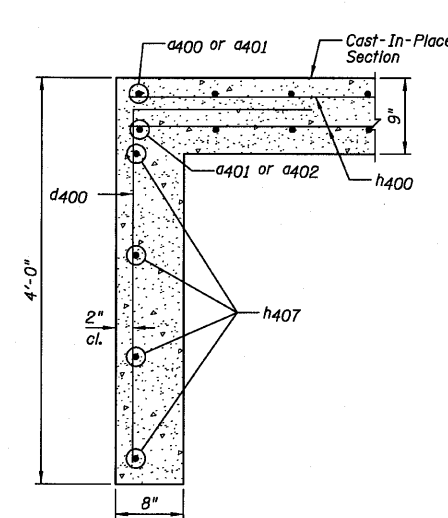
DETAIL G



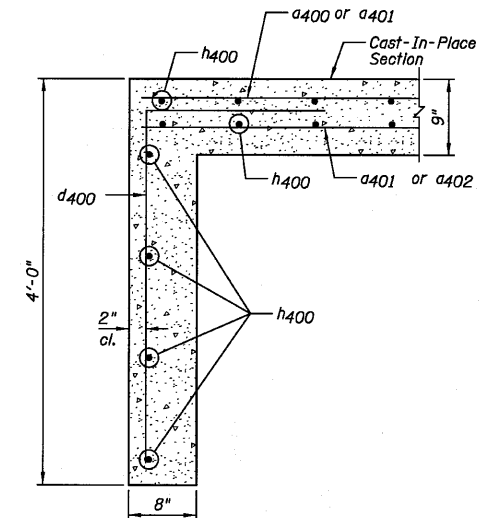
DETAIL H



BOTTOM MAT OF REINFORCEMENT PLAN



SECTION D-D



SECTION E-E

NOTES:

- 1.) For Bill of Material, see Sheet F3.
- 2.) W.P. denotes Working Point.

SOUTH CAST-IN-PLACE
BOTTOM SLAB PLAN
AND SECTIONS
STRUCTURE NO. 038-2549

DESIGNED	SDH
CHECKED	JML
DRAWN	JWK/DJM
CHECKED	MSW

DATE 08/04/10

Farnsworth GROUP, INC. 2709 McGraw Drive Bloomington, Illinois 61704 309/663-8435, 309/663-1571 fax	SHEET NO. F7	F.A.P. RTE.	SECTION	COUNTY	TOTAL SHEETS	SHEET NO.
	10 SHEETS	681	*	FORD/IROQUOIS	146	110
FED. ROAD DIST. NO. ILLINOIS				FED. AID PROJECT		
CONTRACT NO. 66880						

* 116 BR/[116 BR. (BR-2)BR. I & BR-3]

24-8271