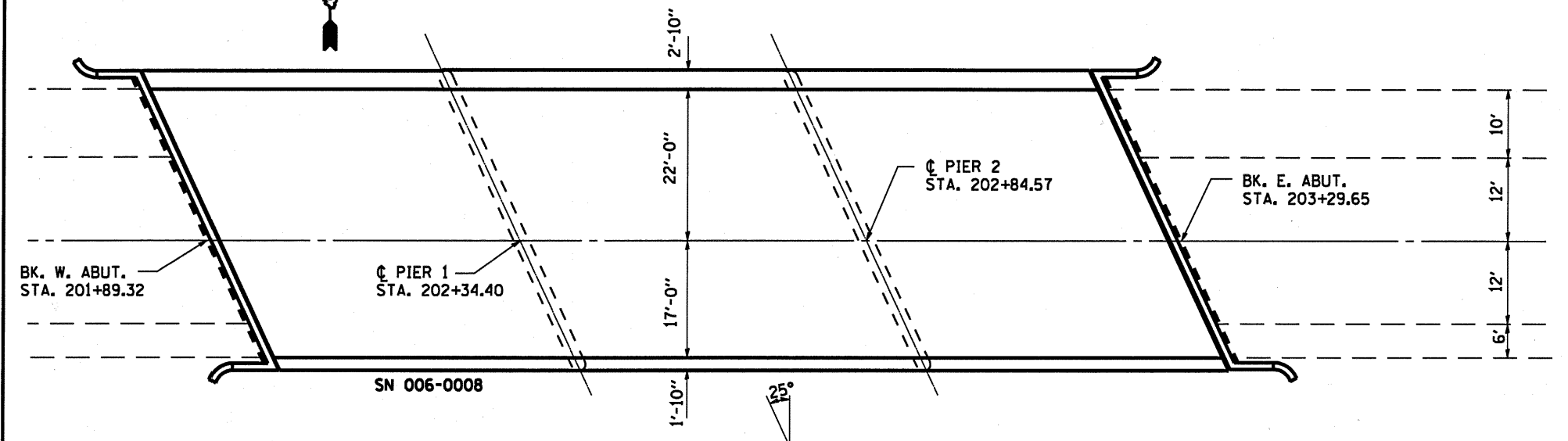


ELEVATION

GENERAL NOTES

EXISTING PAINT COATINGS CONTAIN LEAD. EXISTING STRUCTURAL STEEL HAS ONE SHOP APPLIED COAT OF "RED LEAD" PAINT AND TWO FIELD APPLIED COATS OF ALUMINUM PAINT.



PLAN

TOTAL BILL OF MATERIAL

ITEM	UNIT	SN 006-0007	SN 006-0008	TOTAL
CLEANING AND PAINTING STEEL BRIDGE NO. 1	L SUM	1		1
CLEANING AND PAINTING STEEL BRIDGE NO. 2	L SUM		1	1
CONTAINMENT AND DISPOSAL OF LEAD BASED CLEANING RESIDUES NO. 1	L SUM	1		1
CONTAINMENT AND DISPOSAL OF LEAD BASED CLEANING RESIDUES NO. 2	L SUM		1	1
BRIDGE CLEANING AND WARRANTY NO. 1	L SUM	1		1
BRIDGE CLEANING AND WARRANTY NO. 2	L SUM		1	1

**GENERAL PLAN AND ELEVATION
OVER COAL CREEK
SECTION. (06-1B-3)BP
BUREAU COUNTY
STA. 202 + 80
S.N. 006-0007 (EB)
S.N. 006-0008 (WB)**