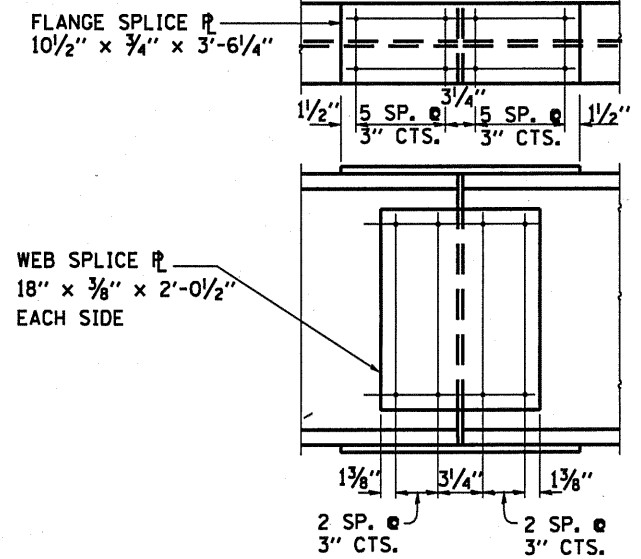
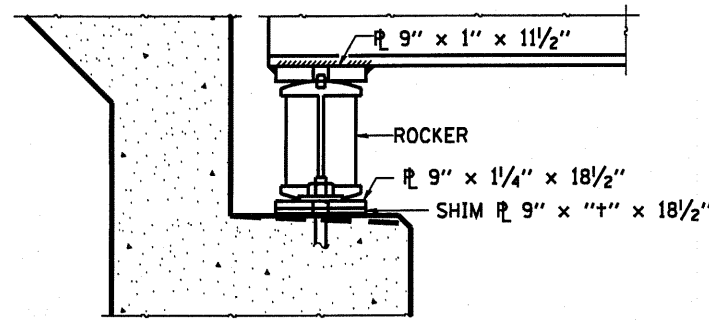


**PLAN OF STRUCTURAL STEEL**

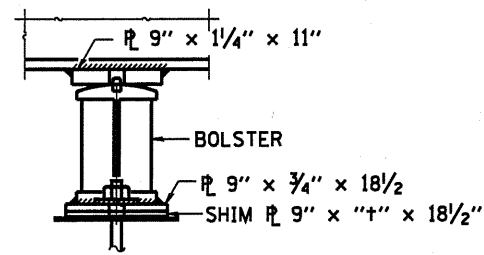
ALL BEAMS 27 WF 94



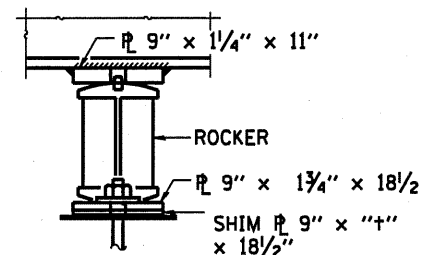
**DETAIL OF SPLICE**



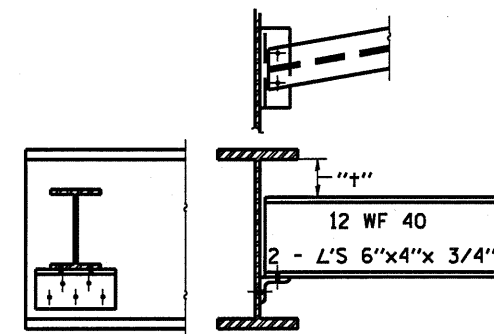
**SECTION AT ABUTMENTS**



**PIER 1**

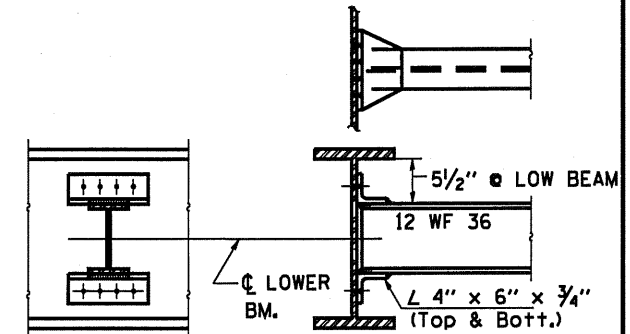


**PIER 2**



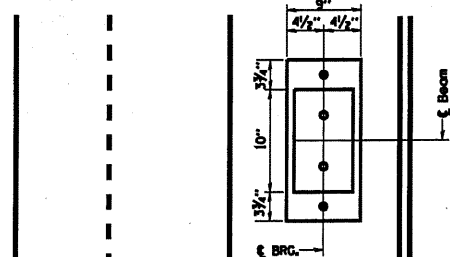
**DIAPHRAGM D & D'**

8 D REQUIRED  
6 D' REQUIRED

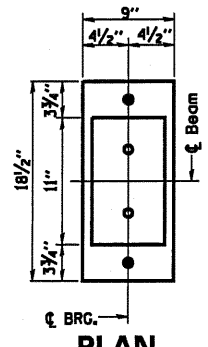


**DIAPHRAGM D<sub>1</sub>, D<sub>1</sub>', D<sub>2</sub>, D<sub>2</sub>'**

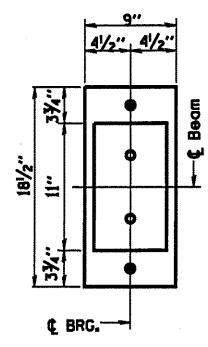
12 D REQUIRED 8 D' REQUIRED  
9 D<sub>1</sub>' REQUIRED 6 D<sub>2</sub>' REQUIRED



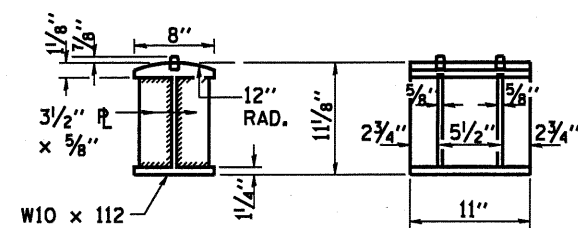
**PLAN**



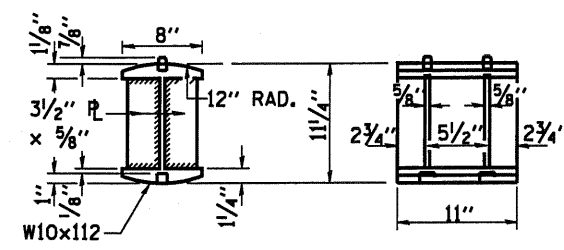
**PLAN**



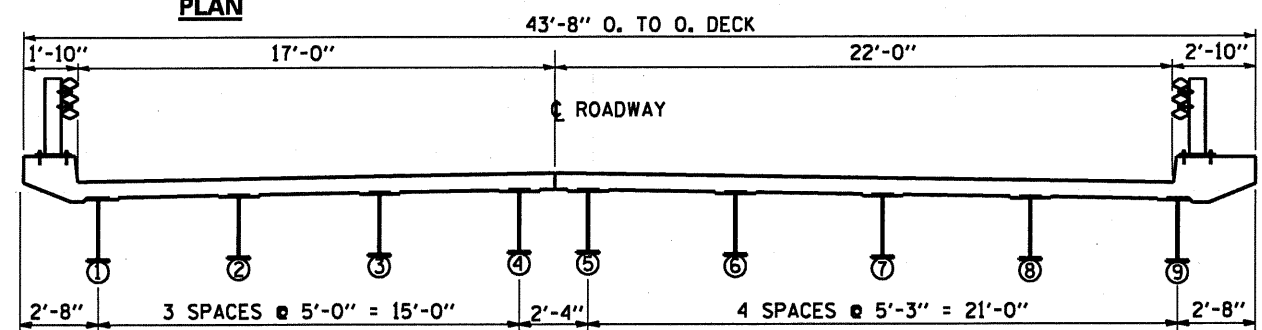
**PLAN**



**DETAIL OF BOLSTER AT PIER 1**

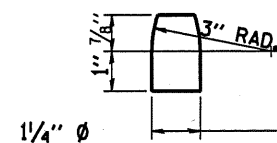


**DETAIL OF ROCKER AT PIER 2 & ABUTS.**



**CROSS SECTION**

ALL BEAMS 27 WF 94



**DETAIL OF PINTLE**

**STRUCTURAL STEEL DETAILS  
OVER COAL CREEK  
SECTION. (06-1B-3)BP  
BUREAU COUNTY  
STA. 202 + 80  
S.N. 006-0007 (EB)  
S.N. 006-0008 (WB)**

FILE NAME =	USER NAME = woodshankr1	DESIGNED - RON WOODSHANK	REVISED -	STATE OF ILLINOIS DEPARTMENT OF TRANSPORTATION	EXISTING STRUCTURE PLANS 006-0007 (EB) & SN 006-0008 (WB)	F.A.I. RTE.	SECTION	COUNTY	TOTAL SHEETS	SHEET NO.	
ci:\p\work\pwidot\woodshankr1\d0189885\EG6A4B-details.dgn		DRAWN - RON WOODSHANK	REVISED -			80	(06-1B-3)BP & (06-2B)BP	BUREAU	14	12	
PLOT SCALE = 100.0000 / IN.		CHECKED -	REVISED -			CONTRACT NO. 66A40					
PLOT DATE = Aug 24, 2018 - 10:25:16 AM		DATE -	REVISED -			ILLINOIS					