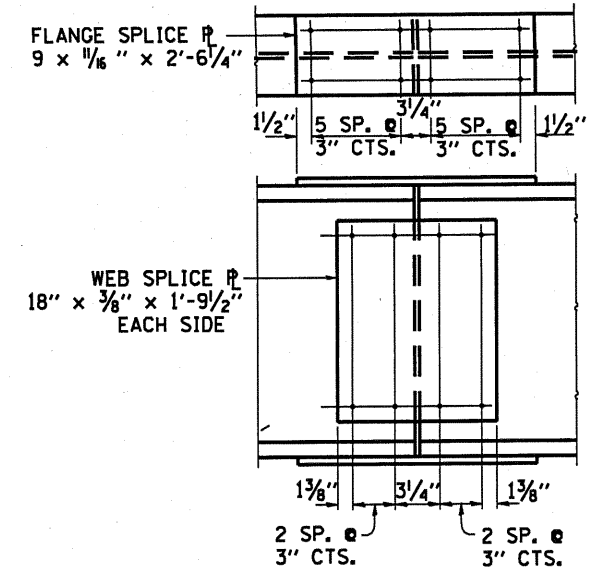
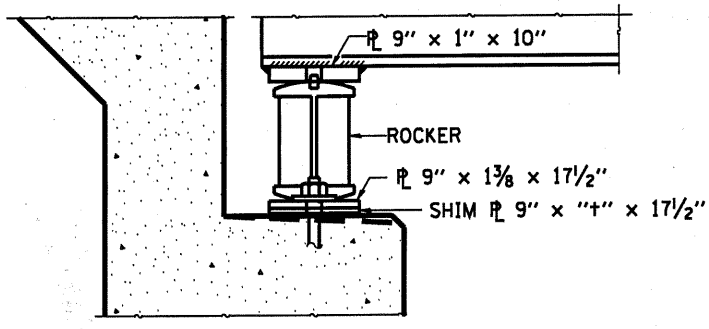


PLAN OF STRUCTURAL STEEL

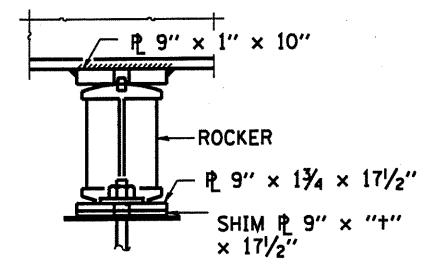
ALL BEAMS 24 WF 84



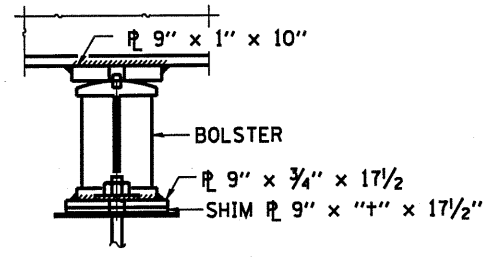
DETAIL OF SPLICE



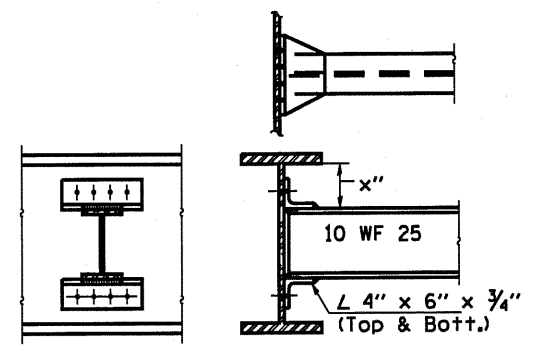
SECTION AT ABUTMENTS



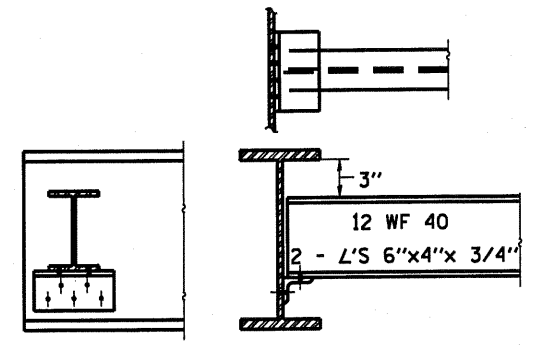
PIER 1



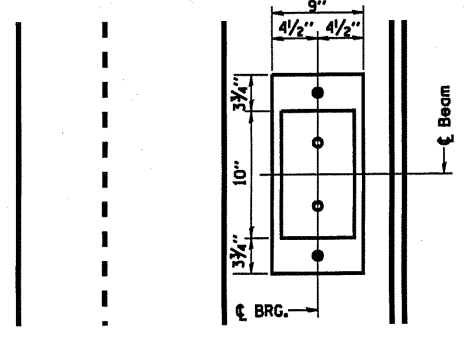
PIER 2



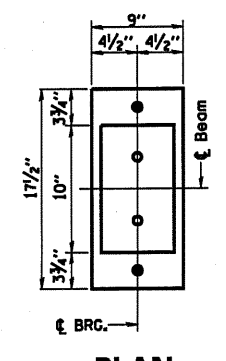
DIAPHRAGM D1
60 REQUIRED



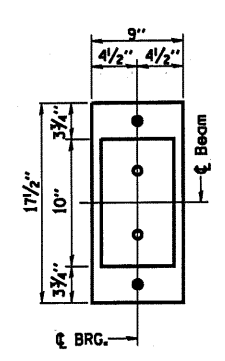
DIAPHRAGM D
24 REQUIRED



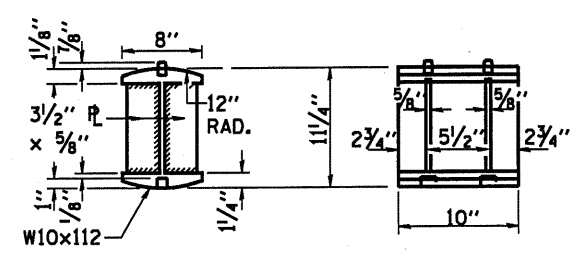
PLAN



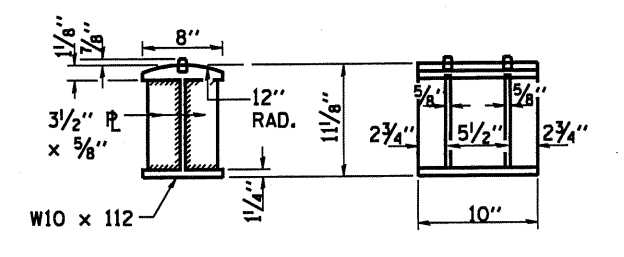
PLAN



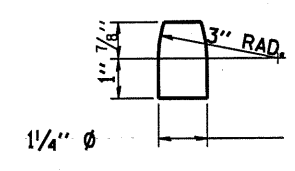
PLAN



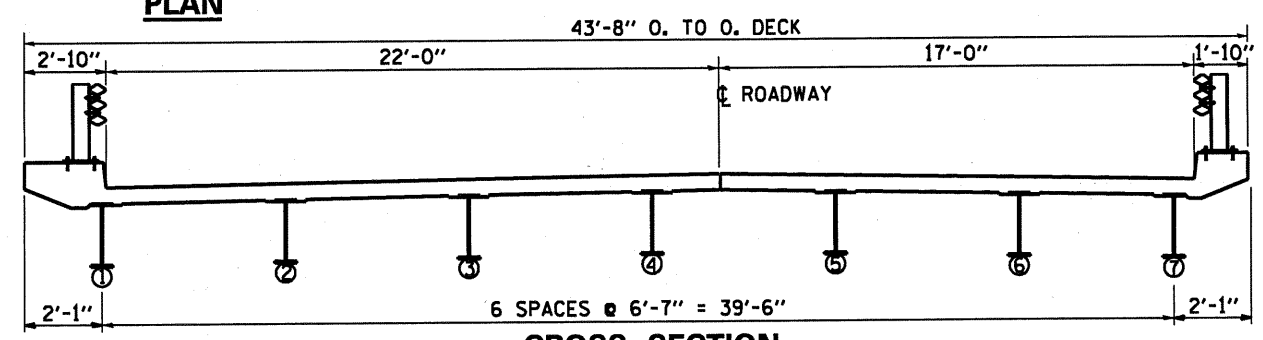
DETAIL OF ROCKER AT PIER 1 & ABUTS.



DETAIL OF BOLSTER AT PIER 2



DETAIL OF PINTLE



CROSS SECTION
ALL BEAMS 24 WF 84

STRUCTURAL STEEL DETAILS
DRAINAGE DITCH SECTION. (06-2B)BP
BUREAU COUNTY
STA. 423 + 15
S.N. 006-0009 (EB)
S.N. 006-0010 (WB)

FILE NAME =	USER NAME = woodshankr1	DESIGNED - RON WOODSHANK	REVISED -	STATE OF ILLINOIS DEPARTMENT OF TRANSPORTATION	STRUCTURE PLANS 006-0009 (EB) & SN 006-0010 (WB)	F.A.I. RTE.	SECTION	COUNTY	TOTAL SHEETS	SHEET NO.
ci\pw_work\p\widot\woodshankr1\d0187985\066A40-details.dgn	DRAWN - RON WOODSHANK	REVISED -	80			106-18-3BP & 106-2B)BP	BUREAU	14	14	
PLOT SCALE = 100.0000' / IN.	CHECKED -	REVISED -							CONTRACT NO. 68A40	
PLOT DATE = Aug 24, 2010 10:25:43 AM	DATE -	REVISED -							ILLINOIS	