

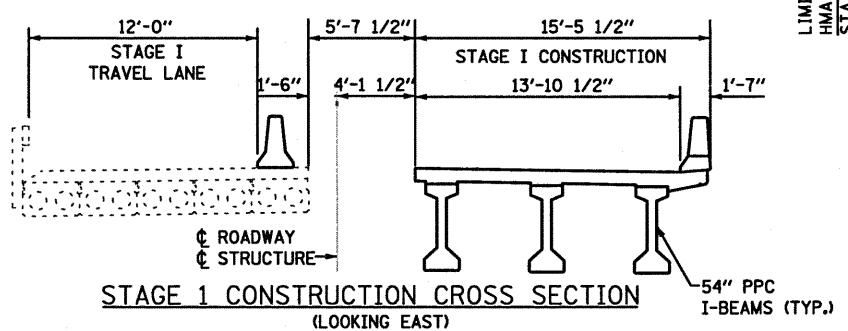
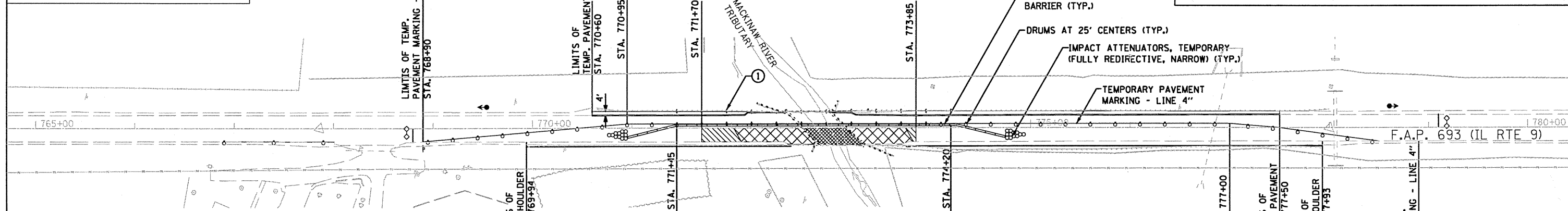
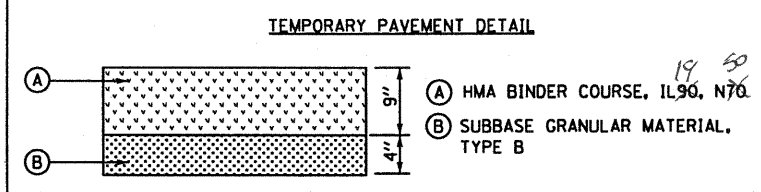
LEGEND

	REMOVAL OF EXISTING STRUCTURES
	PAVEMENT REMOVAL
	WORK ZONE

KEY NOTES:
 ① BARRIER WALL/GUARDRAIL MARKERS AT 25' CTS. SEE STANDARDS 704001 & 635011.

PRIOR TO STAGE 1 CONSTRUCTION

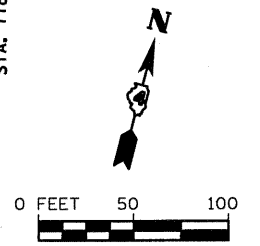
1. PLACE PERIMETER EROSION BARRIER ON DISTURBED SLOPES AS SHOWN ON EROSION CONTROL PLANS.
2. INSTALL TEMPORARY PAVEMENT ON NORTH SIDE EDGE OF TRAVEL WAY TO THE EXISTING GUARDRAIL. USE TRAFFIC CONTROL STANDARD 701326.



STAGE 1 CONSTRUCTION OF SOUTH SIDE

1. INSTALL ALL TRAFFIC CONTROL DEVICES, SIGNS, TRAFFIC SIGNALS AND TEMPORARY MARKINGS AS DETAILED ON TRAFFIC CONTROL & PROTECTION STANDARD 701321.
2. PLACE TEMPORARY CONCRETE BARRIER.
3. EXISTING GUARDRAIL ON NORTH SIDE TO REMAIN IN PLACE DURING STAGE I CONSTRUCTION.
4. INSTALL TEMPORARY SOIL RETENTION SYSTEM.
5. REMOVE GUARDRAIL AND EXISTING STRUCTURE ON SOUTH SIDE.
6. CONSTRUCT STAGE I PORTION OF PROPOSED STRUCTURE, APPROACH SLAB, APPROACH PAVEMENT CONNECTORS, HMA SHOULDERS, AGGREGATE SHOULDERS, GUARDRAIL AND ALL OTHER WORK FOR SOUTH SIDE OF ROADWAY.

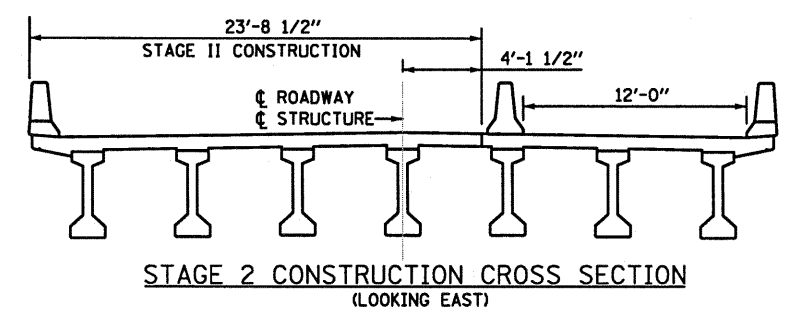
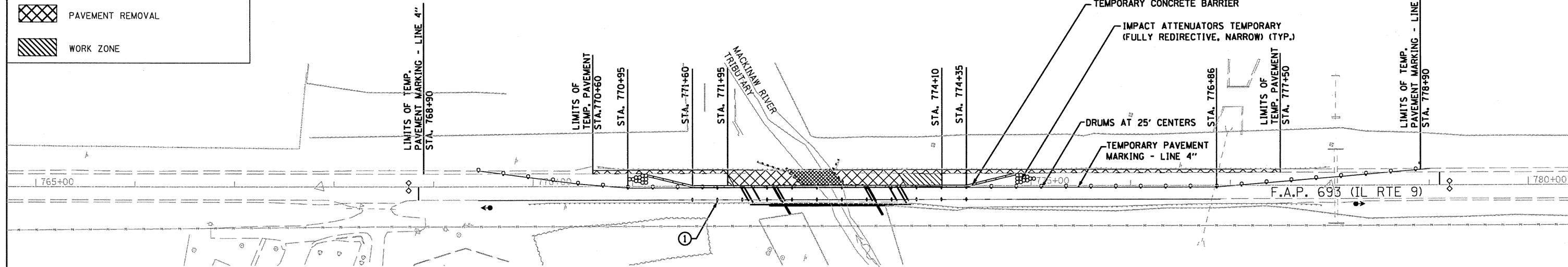
INSTALL FLASHING LIGHTS ON THE TRAFFIC SIGNAL WARNING SIGNS. PAYMENT FOR THE FLASHING LIGHTS SHALL BE INCLUDED IN THE COST OF STD. 701321.



LEGEND

	REMOVAL OF EXISTING STRUCTURES
	PAVEMENT REMOVAL
	WORK ZONE

KEY NOTES:
 ① BARRIER WALL/GUARDRAIL MARKERS AT 25' CTS. SEE STANDARDS 704001 & 635011-D4.



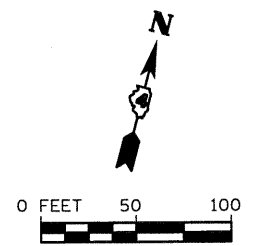
STAGE 2 CONSTRUCTION OF NORTH SIDE

1. RELOCATE TEMPORARY CONCRETE BARRIERS, TEMPORARY IMPACT ATTENUATORS AND TEMPORARY MARKINGS AS DETAILED ON TRAFFIC CONTROL & PROTECTION STANDARD 701321.
2. REMOVE GUARDRAIL, TEMPORARY PAVEMENT, AND REMAINING EXISTING STRUCTURE FOR NORTH SIDE.
3. CONSTRUCT PROPOSED STRUCTURE, APPROACH SLAB, APPROACH PAVEMENT CONNECTORS, PROPOSED HMA SHOULDERS, PROPOSED AGGREGATE SHOULDERS, GUARDRAIL AND ALL OTHER WORK FOR NORTH SIDE OF ROADWAY.
4. REMOVE TRAFFIC CONTROL PAVEMENT MARKINGS, TEMPORARY CONCRETE BARRIER, TEMPORARY IMPACT ATTENUATORS, TEMPORARY RUMBLE STRIPS AND TEMPORARY SIGNALS.

STAGE 3 CONSTRUCTION RESURFACING

LIMITS OF RESURFACING STA. 769+94 TO STA. 778+03

1. INSTALL TRAFFIC CONTROL DEVICES AND SIGNS AS DETAILED ON TRAFFIC CONTROL AND PROTECTION STANDARD 701306.
2. MILL AND RESURFACE WITHIN RESURFACING LIMITS
3. HMA SURFACE REMOVAL - BUTT JOINTS WILL BE UTILIZED WHEN TRANSITIONING FROM THE EXISTING PAVEMENT TO THE RESURFACING AND FOR THE TRANSITION FROM THE RESURFACING TO THE BRIDGE APPROACH SLAB.
4. PLACE PAVEMENT MARKINGS AND RAISED REFLECTIVE PAVEMENT MARKERS.



1170 SOUTH HOBBS ROAD
 JOLIET, ILLINOIS 60431
 STRAND ENGINEERS
 (815) 744-4200

FILE NAME =	USER NAME = rjand	DESIGNED VLF	REVISED -	STATE OF ILLINOIS DEPARTMENT OF TRANSPORTATION	SUGGESTED STAGE CONSTRUCTION AND TRAFFIC CONTROL	F.A.P. RTE.	SECTION	COUNTY	TOTAL SHEETS	SHEET NO.	
as\j016308-6399\6346\015\micros\Final	lena\roadway\04-187-staging.dgn	DRAWN VLF	REVISED -			693	(119 BR-2)BR	TAZEWELL	65	10	
PLOT SCALE = 100,0000 ' / IN.	CHECKED AJ5	DATE 3/31/10	REVISED -			CONTRACT NO. 68660					
PLOT DATE = 7/9/2018	DATE 3/31/10	REVISED -	SCALE: AS SHOWN			SHEET NO.	OF	SHEETS	STA.	TO	STA.