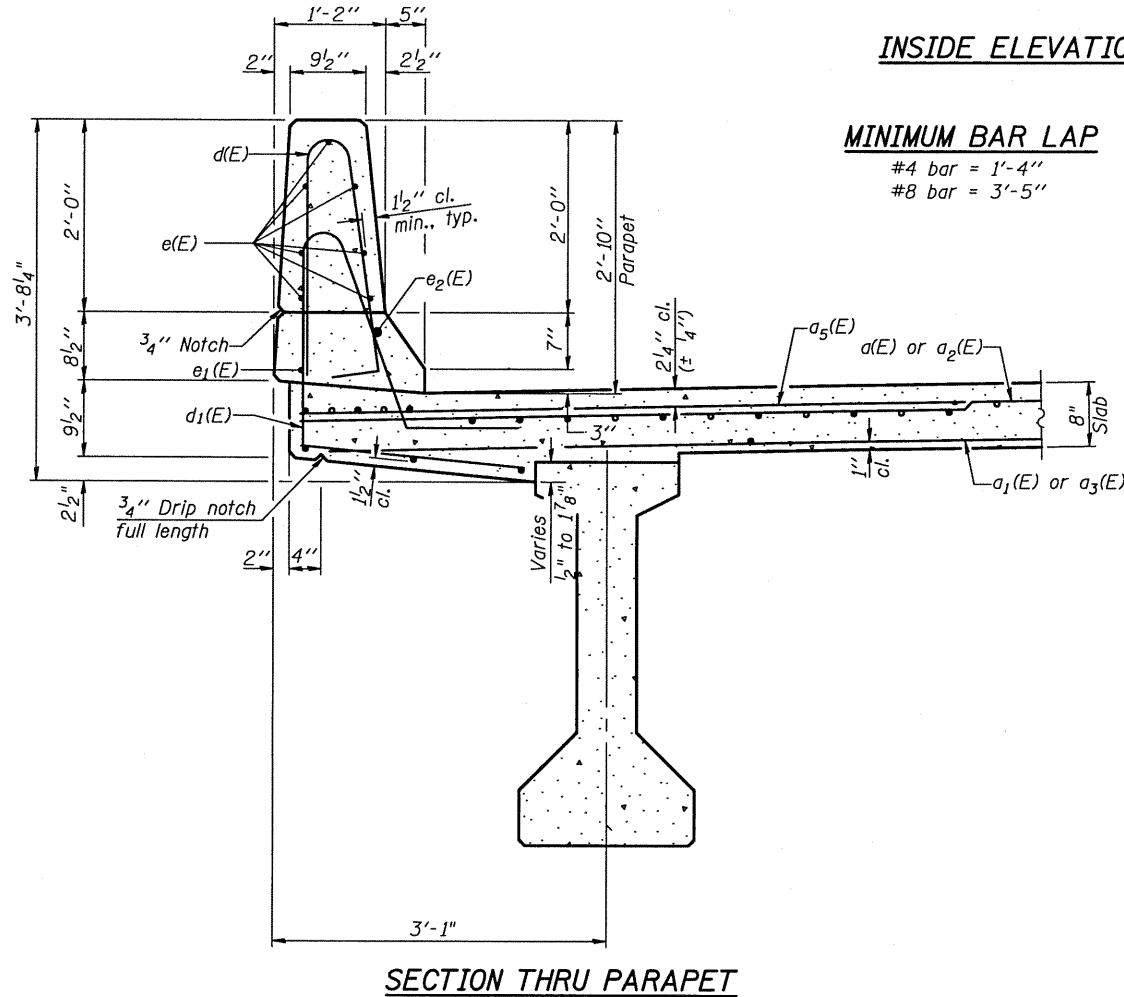
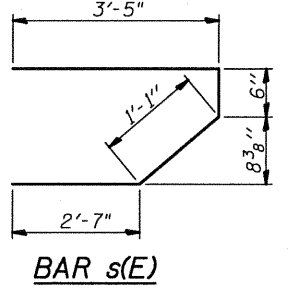
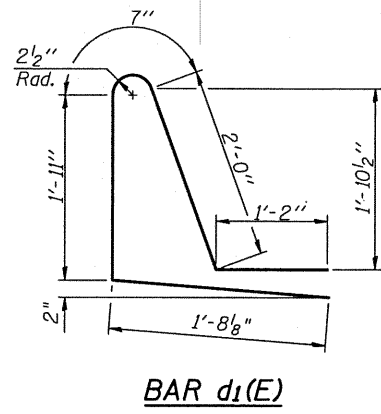
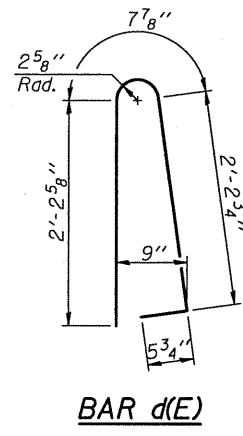
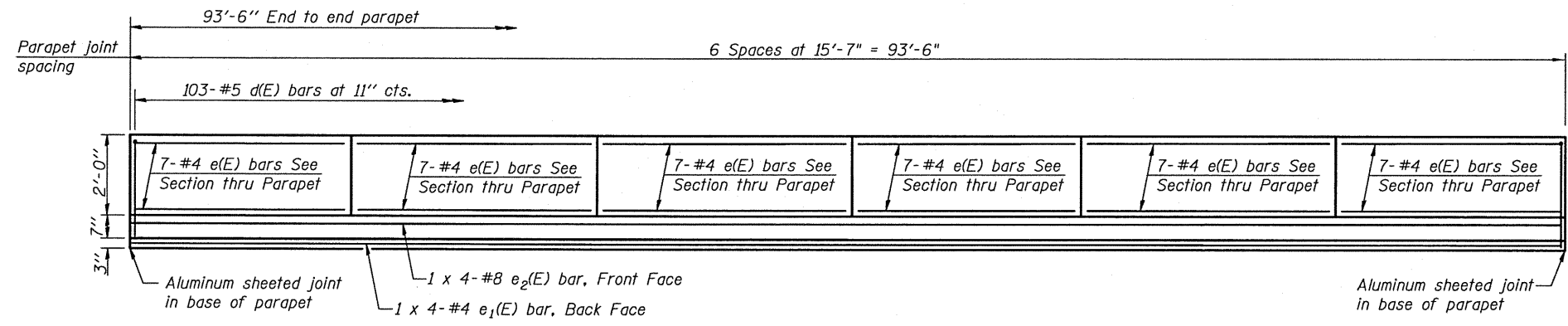
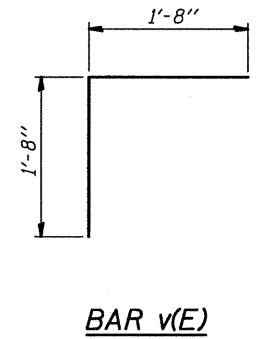
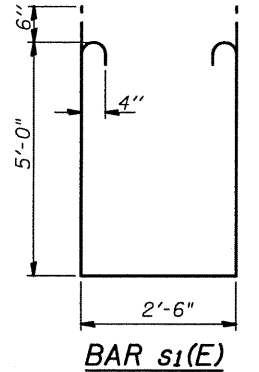
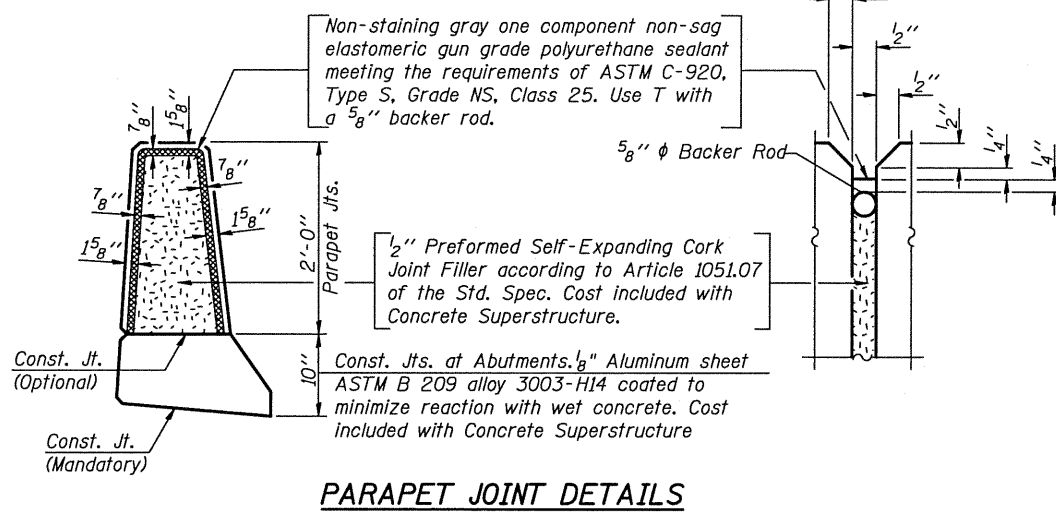


STATE OF ILLINOIS
DEPARTMENT OF TRANSPORTATION



INSIDE ELEVATION OF PARAPET

MINIMUM BAR LAP
#4 bar = 1'-4"
#8 bar = 3'-5"



**SUPERSTRUCTURE
BILL OF MATERIAL**

Bar	No.	Size	Length	Shape
a(E)	161	#5	23'-4"	—
a1(E)	114	#5	23'-4"	—
a2(E)	161	#5	15'-1"	—
a3(E)	114	#5	15'-1"	—
a4(E)	4	#5	17'-6"	—
a5(E)	322	#6	6'-6"	—
a6(E)	4	#5	27'-0"	—
b(E)	172	#5	24'-8"	—
b1(E)	155	#5	20'-1"	—
d(E)	206	#5	5'-7"	U
d1(E)	206	#5	7'-5"	U
e(E)	84	#4	15'-3"	—
e1(E)	8	#4	24'-4"	—
e2(E)	8	#8	26'-0"	—
m(E)	10	#6	17'-6"	—
m1(E)	10	#6	27'-0"	—
m2(E)	28	#6	8'-10"	—
m3(E)	12	#6	3'-10"	—
m4(E)	4	#6	2'-1"	—
s(E)	72	#5	7'-8"	U
s1(E)	62	#4	13'-6"	U
v(E)	80	#5	3'-4"	Γ
Reinforcement Bars, Epoxy Coated			Lbs.	28,890
Concrete Superstructure			Cu. Yds.	162

Bars indicated thus 1 x 2-#5 etc. indicates 1 line of bars with 2 lengths per line.

DESIGNED	KHM
CHECKED	AJS
DRAWN	KAS
CHECKED	AJS

**SUPERSTRUCTURE DETAILS
S.N. 090-0177
STRAND ASSOCIATES, INC.**

SHEET NO. 8 22 SHEETS	F.A.P. RTE. 693	SECTION (119 BR-2)BR	COUNTY TAZEWELL	TOTAL SHEETS 65	SHEET NO. 25
	CONTRACT NO. 68660			FED. ROAD DIST. NO. ILLINOIS FED. AID PROJECT	