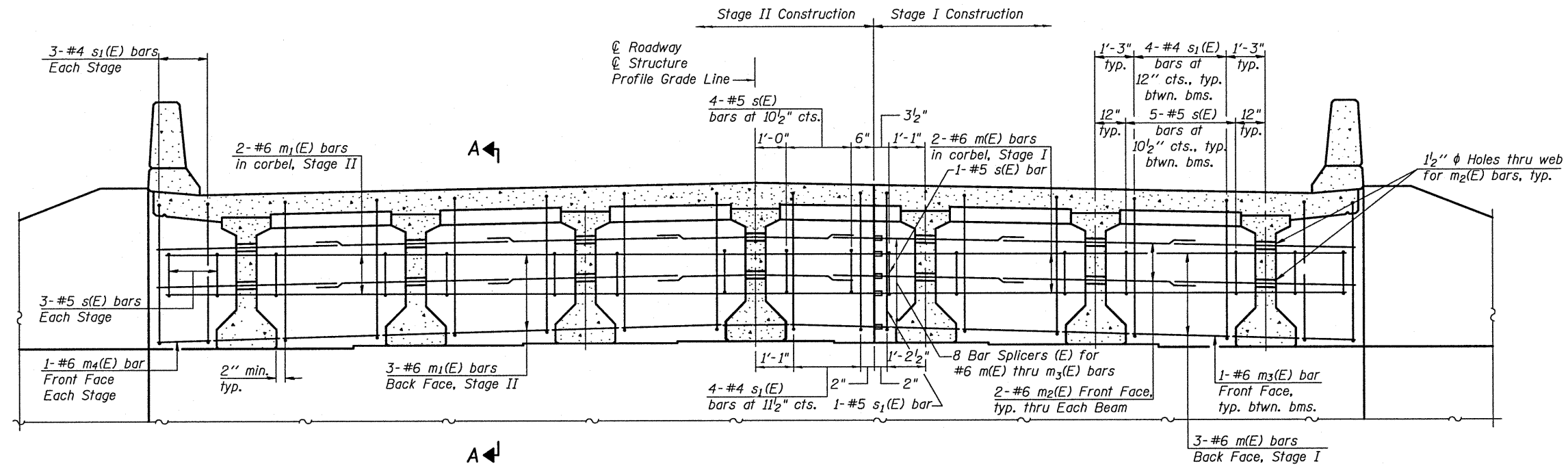


STATE OF ILLINOIS
DEPARTMENT OF TRANSPORTATION



DIAPHRAGM ELEVATION AT ABUTMENT

(East Abut. Looking East, West Abut. Similar)

Notes:

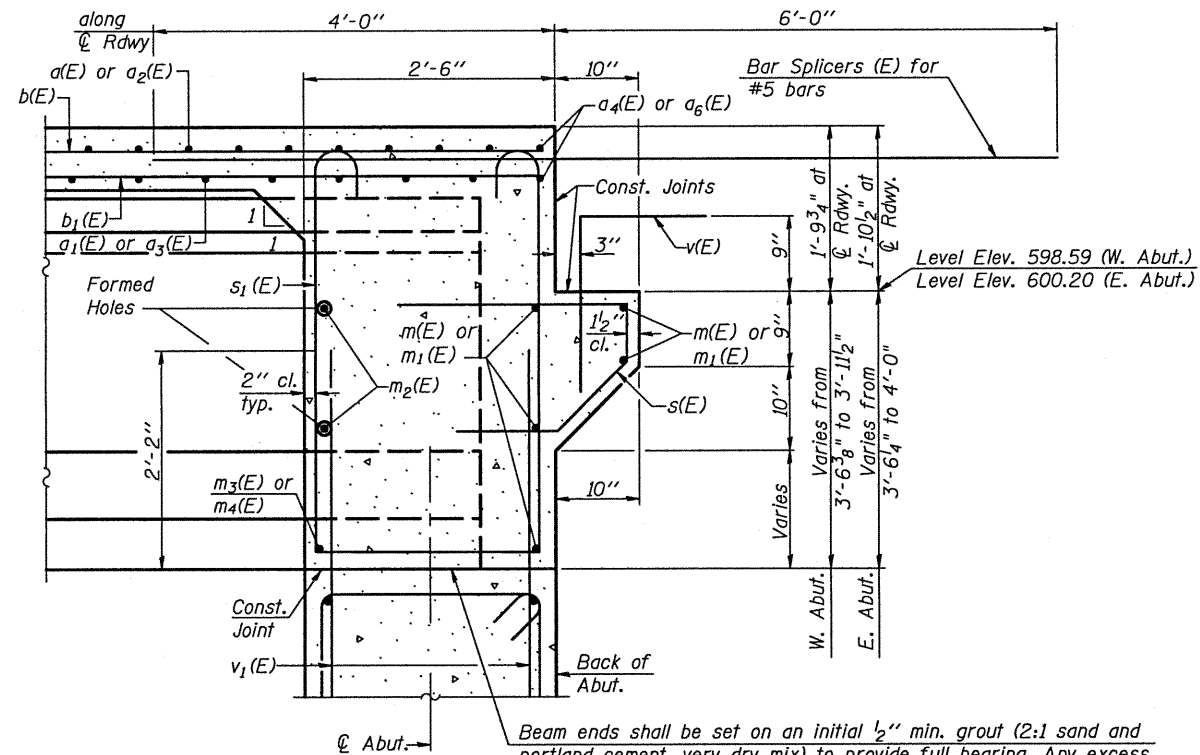
Reinforcement bars in diaphragm are billed with superstructure on sheet 8 of 22.

Concrete in diaphragm is included with Concrete Superstructure on sheet 8 of 22.

For details of bars s(E), s₁(E) and s₂(E) see sheet 8 of 22.

The s(E), s₁(E) and s₂(E) bars shall be placed parallel to the beams. Spacing for these bars shall be at right angles to the beams.

Contractor to cut m₂(E) and m₃(E) bar at Stage Construction Line. Remaining portion of bar to be saved and spliced in Stage II Construction.



SECTION A-A

Dimensions at right angles to abutment, except as shown.

DESIGNED	RRD
CHECKED	AJS
DRAWN	KAS
CHECKED	AJS

**DIAPHRAGM DETAILS
S.N. 090-0177**

STRAND ASSOCIATES, INC.

SHEET NO. 9	F.A.P. RTE.	SECTION	COUNTY	TOTAL SHEETS	SHEET NO.
	693	(119 BR-2)BR	TAZEWELL	65	26
22 SHEETS	CONTRACT NO. 68660				
FED. ROAD DIST. NO.		ILLINOIS	FED. AID PROJECT		