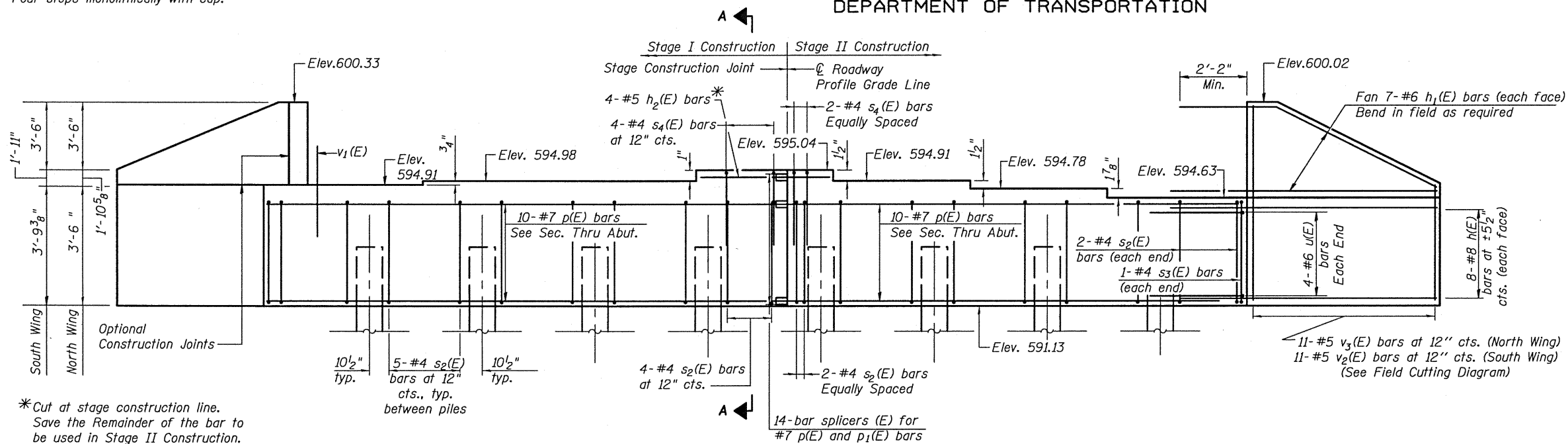
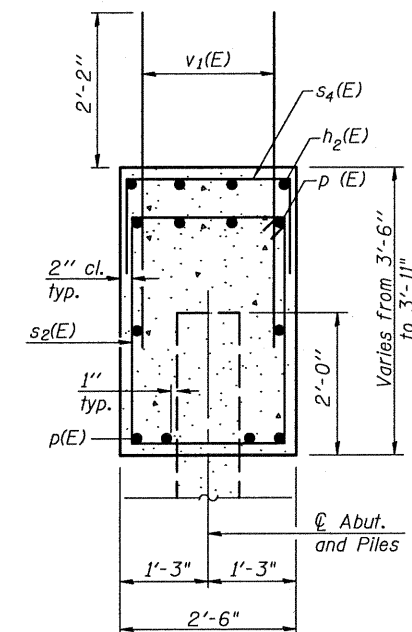


STATE OF ILLINOIS
DEPARTMENT OF TRANSPORTATION

Notes:
Four steps monolithically with cap.



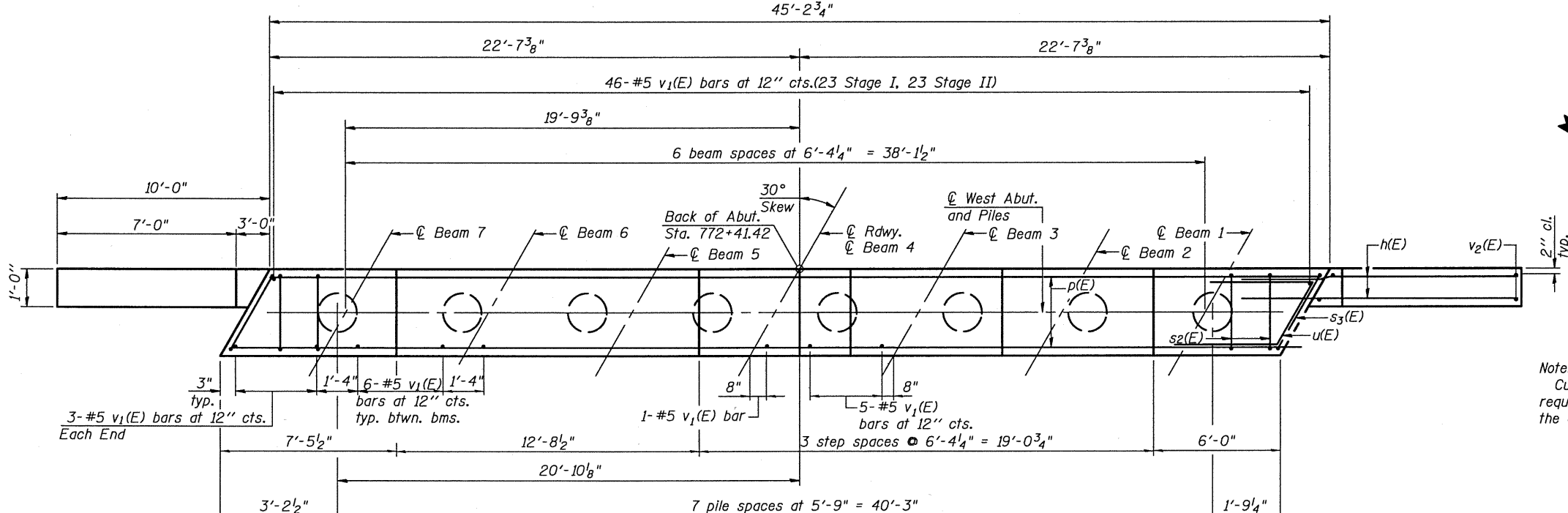
ELEVATION



SEC. A-A THRU ABUT.

BILL OF MATERIAL

Bar	No.	Size	Length	Shape
h(E)	32	#8	16'-0"	—
h1(E)	28	#6	13'-11"	—
h2(E)	4	#5	6'-0"	—
p(E)	20	#7	23'-8"	—
s2(E)	42	#4	11'-5"	□
s3(E)	2	#4	12'-1"	□
s4(E)	6	#4	6'-6"	□
u(E)	8	#6	8'-5"	∟
v1(E)	88	#5	4'-4"	—
v2(E)	11	#5	14'-2"	—
v3(E)	11	#5	13'-6"	—
Structure Excavation		Cu. Yd.	158	
Concrete Structures		Cu. Yd.	20	
Reinforcement Bars, Epoxy Coated		Pound	4,130	
Furnishing Metal Shell Piles 14x0.250		Foot	196	
Driving Piles		Foot	196	
Test Pile Metal Shells		Each	1	
Pile Shoes		Each	8	

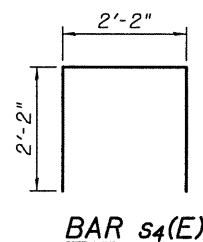


PLAN

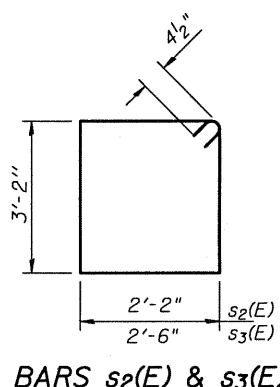
PILE DATA

Type & Size: Metal Shell - 14" dia. x 0.25" walls with Pile Shoes
Nominal Required Bearing: 416 kips
Factored Resistance Available: 208 kips
Est. Length: 28
No. Production Piles: 7
No. Test Piles: 1

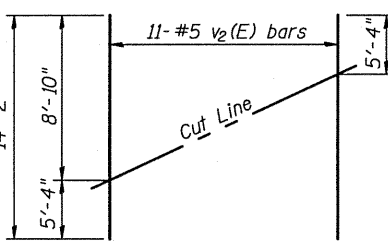
DESIGNED	RRD
CHECKED	AJS
DRAWN	KAS
CHECKED	AJS



BAR s4(E)

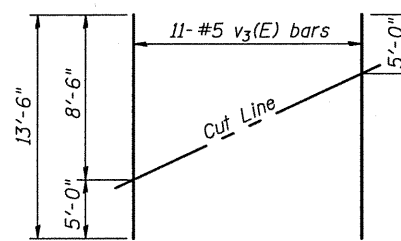


BARS s2(E) & s3(E)



FIELD CUTTING DIAGRAM

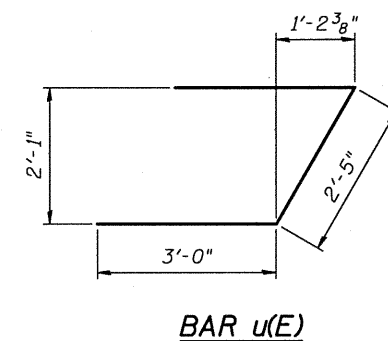
Order v2(E) full length. Cut as shown and use remainder of bars in opposite face.



FIELD CUTTING DIAGRAM

Order v3(E) full length. Cut as shown and use remainder of bars in opposite face.

Note:
Cut p(E) bars in field as required and as directed by the engineer.



BAR u(E)

WEST ABUTMENT DETAILS
S.N. 090-0177
STRAND ASSOCIATES, INC.

SHEET NO. 15	F.A.P. RTE. 693	SECTION (119 BR-2)BR	COUNTY TAZEWELL	TOTAL SHEETS 65	SHEET NO. 32
22 SHEETS	CONTRACT NO. 68660		ILLINOIS FED. AID PROJECT		