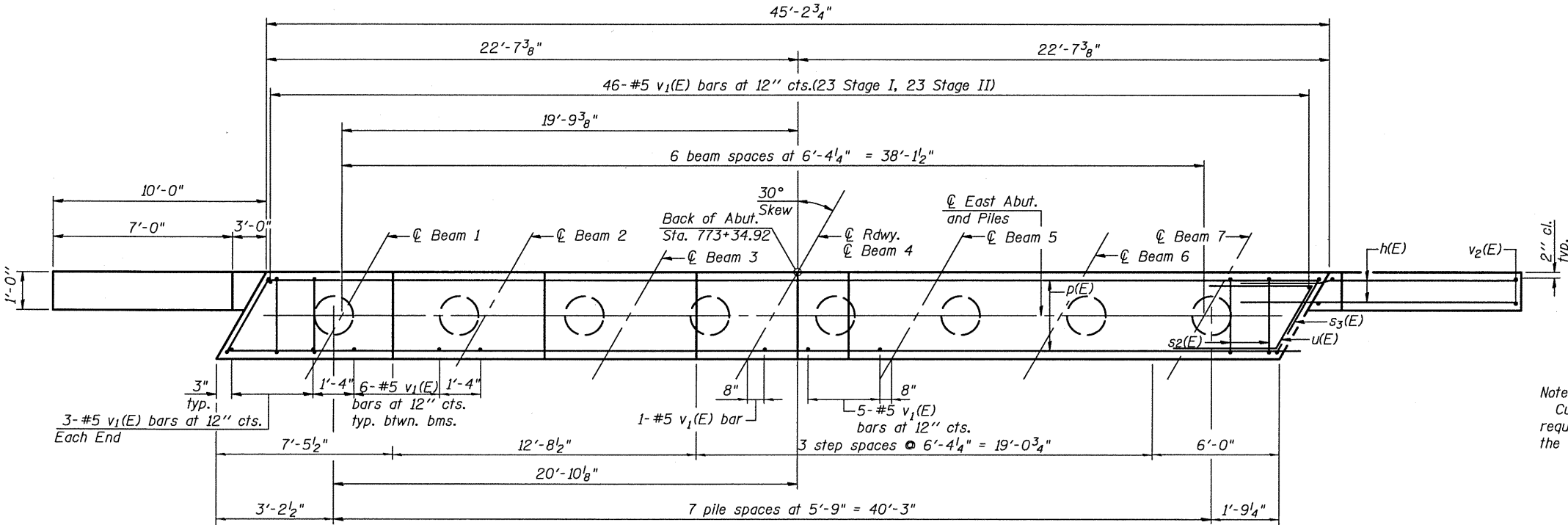
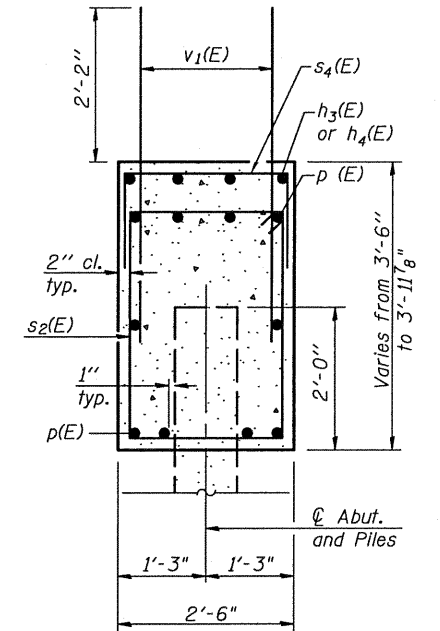
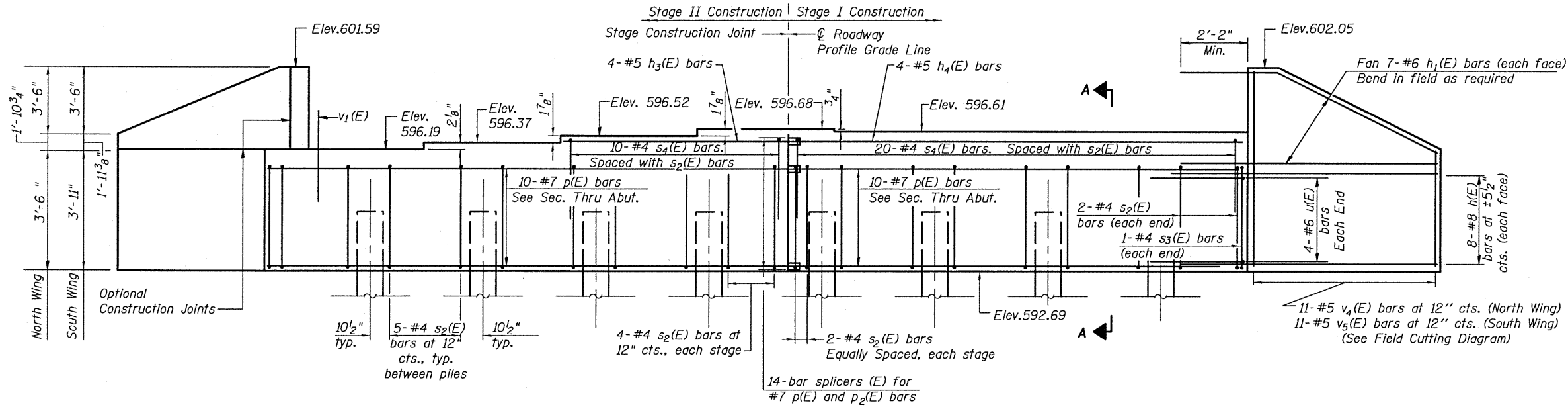


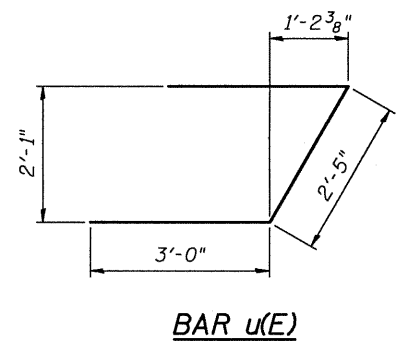
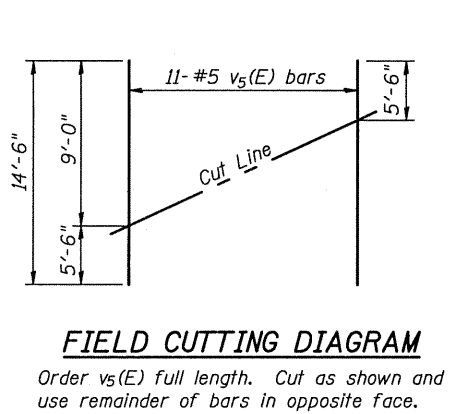
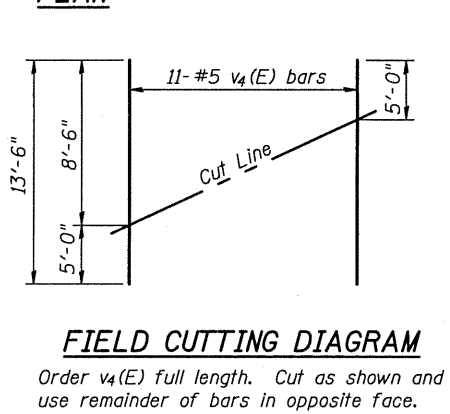
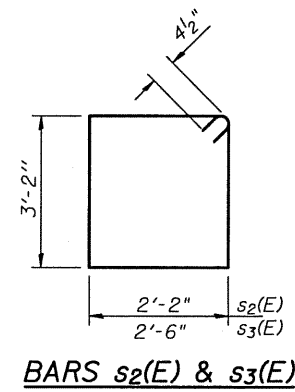
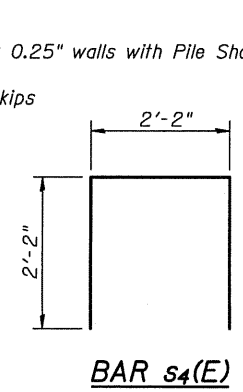
STATE OF ILLINOIS
DEPARTMENT OF TRANSPORTATION

Notes:
Four steps monolithically with cap.



PILE DATA

Type & Size: Metal Shell - 14" dia. x 0.25" walls with Pile Shoes
Nominal Required Bearing: 416 kips
Factored Resistance Available: 208 kips
Est. Length: 27
No. Production Piles: 7
No. Test Piles: 1



BILL OF MATERIAL

Bar	No.	Size	Length	Shape
$h(E)$	32	#8	16'-0"	—
$h_1(E)$	28	#6	13'-11"	—
$h_3(E)$	4	#5	9'-10"	—
$h_4(E)$	4	#5	23'-8"	—
$p(E)$	20	#7	23'-8"	—
$s_2(E)$	42	#4	11'-5"	□
$s_3(E)$	2	#4	12'-1"	□
$s_4(E)$	30	#4	6'-6"	□
$u(E)$	8	#6	8'-5"	J
$v_1(E)$	88	#5	4'-4"	—
$v_4(E)$	11	#5	13'-6"	—
$v_5(E)$	11	#5	14'-6"	—
Structure Excavation	Cu. Yd.		159	
Concrete Structures	Cu. Yd.		21	
Reinforcement Bars, Epoxy Coated	Pound		4,350	
Furnishing Metal Shell Piles 14x0.250	Foot		189	
Driving Piles	Foot		189	
Test Pile Metal Shells	Each		1	
Pile Shoes	Each		8	

Note:
Cut $p(E)$ bars in field as required and as directed by the engineer.

For details of Bar Splicers, see sheet 19 of 22.
For details of piles see sheet 17 of 22.

EAST ABUTMENT DETAILS
S.N. 090-0177

STRAND ASSOCIATES, INC.

DESIGNED	RRD
CHECKED	AJS
DRAWN	KAS
CHECKED	AJS

SHEET NO. 16	F.A.P. RTE.	SECTION	COUNTY	TOTAL SHEETS	SHEET NO.
	693	(119 BR-2)BR	TAZEWELL	65	33
22 SHEETS	EAST ABUTMENT DETAILS		CONTRACT NO. 68660		
	FED. ROAD DIST. NO.	ILLINOIS	FED. AID PROJECT		