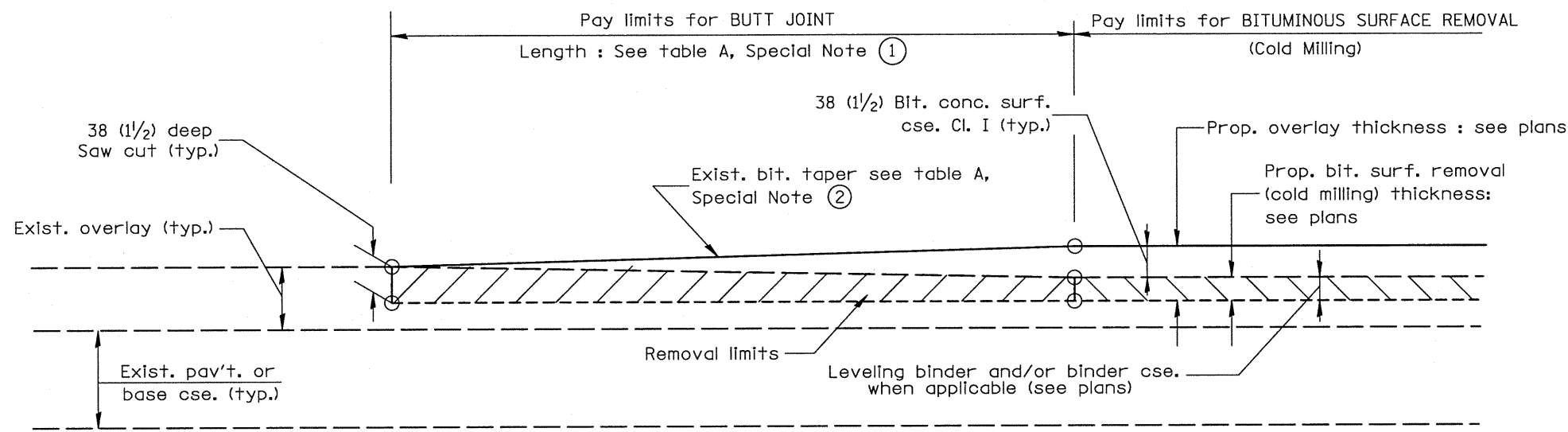
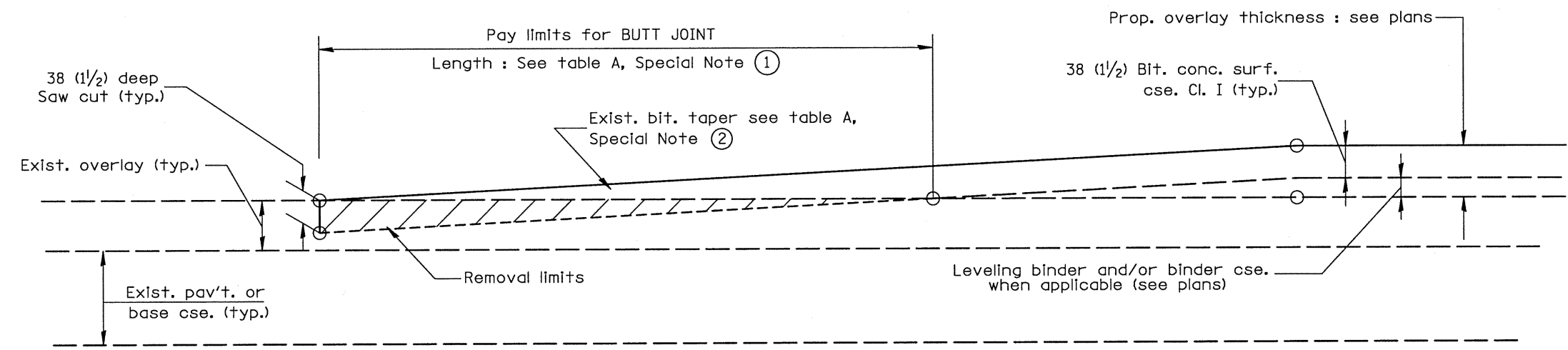


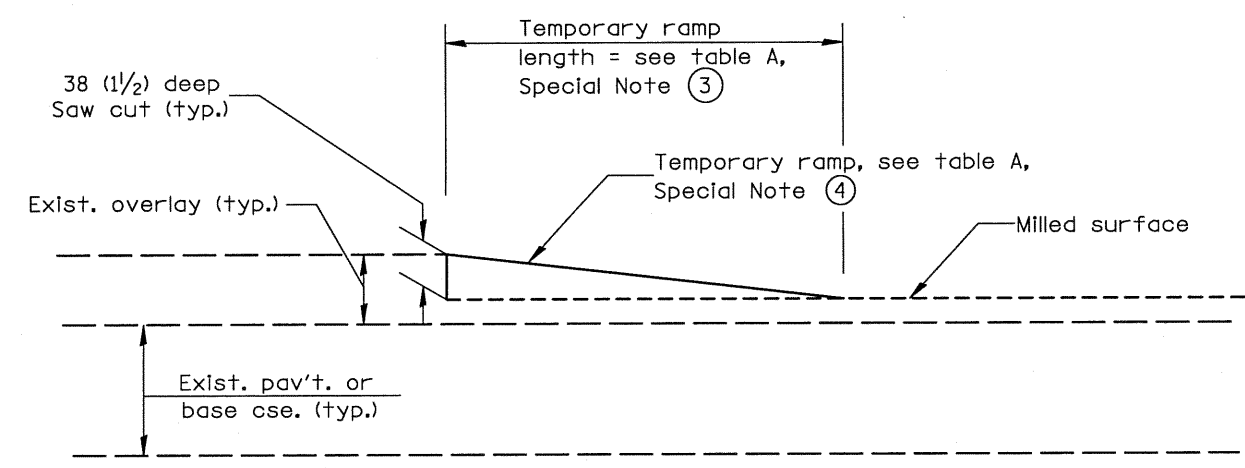
F.A.E. RTE.	SECTION	COUNTY	TOTAL SHEETS	SHEET NO.
639	(119 BR-2)BR	TAZEWELL	65	57
STA. _____		TO STA. _____		
FED. ROAD DIST. NO. _____		ILLINOIS FED. AID PROJECT		



**CASE 3 : WITH BITUMINOUS SURFACE REMOVAL (COLD MILLING)
TIE-IN TO EXISTING BITUMINOUS TAPER**



**CASE 4 : NO BITUMINOUS SURFACE REMOVAL (COLD MILLING)
TIE-IN TO EXISTING BITUMINOUS TAPER**



DETAIL TEMPORARY RAMP

All dimensions are in millimeters (inches) unless otherwise noted.

ILLINOIS DEPARTMENT OF TRANSPORTATION
DISTRICT CADD STANDARD

BUTT JOINTS
CADD STD NO. 406101-D4 SHEET 2 OF 2
SCALE: NOT DRAWN TO SCALE DRAWN BY CADD
DATE **DATE** CHECKED BY

406101-D4 (2)

DATE

DGN-ONLY